

6" VERTICAL CFL DOWNLIGHT

OPEN APERTURE

One 18W Triple Tube

CV6-118T-600C

Project: _____

Fixture Type: _____

Location: _____

Contact/Phone: _____

PRODUCT SPECIFICATIONS

Lamp One 18W triple tube compact fluorescent lamp CFTR18W/GX24q-2 • 4 pin electronic.

Socket Housing Vented, extruded aluminum housing with heat dissipating fins • Single-position, keyed reflector attachment.

Ballast 120V thru 277V HPF Electronic with end-of-life lamp protection • 347V HPF Electronic available in Canada • U.L. listed/CSA certified.

Reflector .050" aluminum reflector with low iridescent clear Alzak® finish • Other finishes including wheat, straw, haze and pewter available on special order basis.

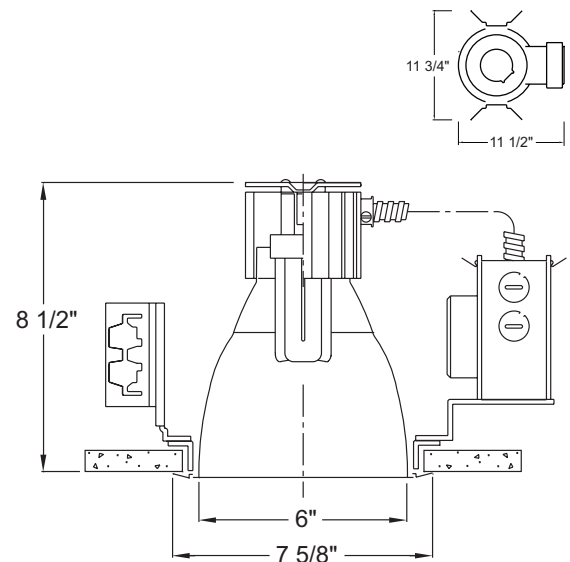
Trim Ring White Polycarbonate.

Labels U.L. listed for through branch wiring and damp locations • Union made • CSA certified.

Testing All reports are based on published industry procedures; field performance may differ from laboratory performance.

Product specifications subject to change without notice.

DIMENSIONS



6 7/8" CEILING CUTOUT

INSTALLATION

Mounting Bracket Rough-in section equipped with vertically adjustable mounting brackets (up to 3") that accept 1/2" conduit or "C" channels (HB-26 or HB-50), linear flat bars (LB-27) or Real Nail® 3 bar hangers (HB-1).

Junction Box Pre-wired junction box provided with (5) 1/2" and (1) 3/4" knockouts, U.L. listed/CSA certified for through branch wiring, maximum 8 No. 12 AWG 90°C branch circuit conductors (4 in, 4 out) • Junction box provided with removable access plates • Knockouts equipped with pryout slots.

Mounting Frame 16-gauge galvanized steel mounting ring with factory installed reflector mounting clips • Rough-in section (junction box, mounting frame and socket assembly) fully assembled for ease of installation • Accommodates 7/8" ceiling thickness maximum.

ENGINEERING DATA

	120V-HPF	277V-HPF	347V-HPF Canada
Total input power	19W	19W	19W
Operating AMPS	.16A	.07A	.06A
Power Factor	>.98	>.98	>.98
T.H.D.	<10%	<10%	<10%
Min. starting temperature	0°F/ -18°C	0°F/ -18°C	0°F/ -18°C
Crest Factor	<1.6	<1.6	<1.6
Ballast Factor	1.00	1.00	1.00

ACCESSORIES

Catalog No.	Description
HB-26	Two 26" C-channel bar hangers
HB-50	Two 50" C-channel bar hangers
HB-1	Two 1 3/2" - 25" Real Nail® 3 bar hangers
LB-27	Two 27" linear bar hangers
PLK-E	13-42W emerg. power kit (Elect. Ballast)

To order, specify catalog number.

PRODUCT CODES

Catalog Number	Reflector Finish	Ballast	Wattage and Lamp
CV6-118T-600C-WH	Low Iridescent Clear Alzak	HPF 120V - 277V, Elect.	18W Triple Tube CFL

OPTIONS

(Add as suffix to housing or trim)

Catalog No.	Description
347	347V, HPF Electronic Ballast

Ordering Example: CV6-118T-~~347~~-600C

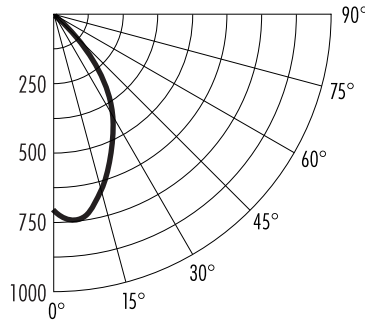
PHOTOMETRIC REPORT

Test Report #: PT04992701
Catalog No: CV6-118T-600C-WH
Total Luminaire Efficiency: 68.3%
Luminaire Spacing Criterion: 1.0
Luminaire: Recessed Clear Alzak Reflector Downlight
Lamp: One 18W Triple Tube CFL lamp rated @ 1200 lumens

6" VERTICAL CFL REFLECTOR

OPEN APERTURE
 One 18W Triple Tube
CV6-118T-600C

CANDLEPOWER DISTRIBUTION (Candelas)



Degrees Vertical	Average
0	715
5	750
10	723
15	642
20	581
25	528
30	460
35	374
40	249
45	123
50	0
55	0
60	0
65	0
70	0
75	0
80	0
85	0
90	0

LUMINANCE (Average cd/m²)

Degrees	Average Luminance
45	9,571
55	0
65	0
75	0
85	0

ZONAL LUMEN SUMMARY

Zone	Lumens	%Lamp	%Fixture
0-30°	495	41.2	60.4
0-40°	727	60.6	88.7
0-60°	819	68.3	100
0-90°	819	68.3	100
90-180°	0	0	0
0-180°	819	68.3	100

COEFFICIENTS OF UTILIZATION –% (Zonal Cavity Method) Effective Floor Cavity Reflectance 20% (ρ_{fc})

RCR	ρ_{cc} ρ_w	80			70			50			30			10			0
		50	30	10	50	30	10	50	30	10	50	30	10	50	30	10	0
0		81	81	81	79	79	79	76	76	76	73	73	73	70	70	70	68
1		75	74	72	74	72	71	71	70	69	69	68	67	66	65	65	63
2		70	67	64	69	66	64	66	64	62	64	63	61	62	61	60	59
3		65	61	58	64	60	58	62	59	57	60	58	56	59	57	55	54
4		60	56	53	59	55	53	58	55	52	56	54	51	55	53	51	50
5		56	52	48	55	51	48	54	50	48	53	50	47	52	49	47	46
6		52	48	44	51	47	44	50	47	44	49	46	44	48	46	43	42
7		48	44	41	48	44	41	47	43	41	46	43	40	45	43	40	39
8		45	41	38	45	41	38	44	40	38	43	40	38	43	40	37	36
9		42	38	35	42	38	35	41	38	35	41	37	35	40	37	35	34
10		40	36	33	40	36	33	39	35	33	38	35	33	38	35	33	32

ρ_{cc} – Ceiling Cavity Reflectance (%) ρ_w – Wall Reflectance (%)

INITIAL FOOTCANDLES

One Unit, 18 Watt, 69.8° Beam

Footcandles Beam Edge	Footcandles Beam Center	Beam Diameter	Distance to Illuminated Plane (Feet)
5.5	19.9	8.4'	6
3.1	11.2	11.2'	8
2.0	7.2	13.9'	10
1.4	5.0	16.7'	12
1.0	3.6	19.5'	14
0.8	2.8	22.3'	16
0.6	2.2	25.1'	18
0.5	1.8	27.9'	20

(Beam Edge defined as 50% of Maximum Nadir Candlepower)

AVERAGE INITIAL FOOTCANDLES

Multiple Units (Square Array)

Ceiling 80% Wall 50% Floor 20%

Spacing	RCR1	RCR4	RCR8
5.0'	36	29	22
6.0'	25	20	15
7.0'	18	15	11
8.0'	14	11	8
9.0'	11	9	7
10.0'	9	7	5
12.0'	6	5	4



1300 S. Wolf Road • Des Plaines, IL 60018 • Phone (847) 827-9880 • Fax (847) 827-2925
 220 Chrysler Drive • Brampton, Ontario • Canada L6S 6B6 • Phone (905) 792-7335 • Fax (905) 792-0064
 Visit us at www.junolightinggroup.com