



6" VERTICAL CFL DOWNLIGHT

BAFFLED APERTURE

One 18W Triple Tube

CV6-118T-601B, -601W

Project: _____

Fixture Type: _____

Location: _____

Contact/Phone: _____

PRODUCT SPECIFICATIONS

Lamp One 18W triple tube compact fluorescent lamp CFTR18W/GX24q-2 • 4 pin electronic.

Socket Housing Vented, extruded aluminum housing with heat dissipating fins • Single-position, keyed reflector attachment.

Ballast 120V thru 277V HPF Electronic with end-of-life lamp protection • 347V HPF Electronic available in Canada • U.L. listed/CSA certified.

Reflector .050" aluminum reflector with clear specular Alzak® finish.

Baffle Matte black or white, grooved aluminum baffle.

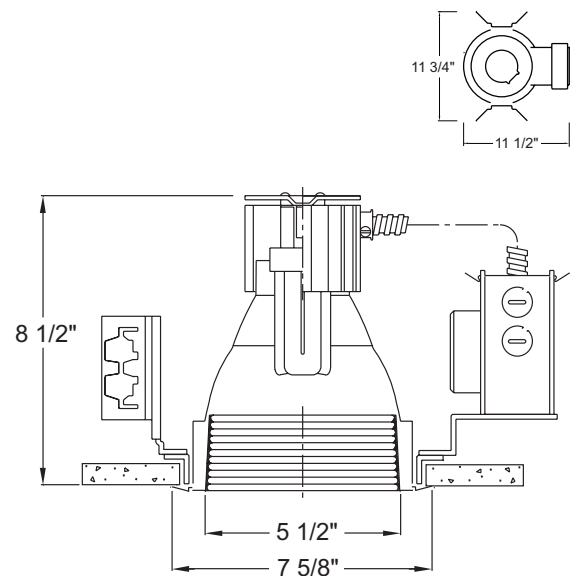
Trim Ring White Polycarbonate.

Labels U.L. listed for through branch wiring and damp locations • Union made • CSA certified.

Testing All reports are based on published industry procedures; field performance may differ from laboratory performance.

Product specifications subject to change without notice.

DIMENSIONS



6 7/8" CEILING CUTOUT

INSTALLATION

Mounting Bracket Rough-in section equipped with vertically adjustable mounting brackets (up to 3") that accept 1/2" conduit or "C" channels (HB-26 or HB-50), linear flat bars (LB-27) or Real Nail® 3 bar hangers (HB-1).

Junction Box Pre-wired junction box provided with (5) 1/2" and (1) 3/4" knockouts, U.L. listed/CSA certified for through branch wiring, maximum 8 No. 12 AWG 90° C branch circuit conductors (4 in, 4 out) • Junction box provided with removable access plates • Knockouts equipped with pryout slots.

Mounting Frame 16-gauge galvanized steel mounting ring with factory installed reflector mounting clips • Rough-in section (junction box, mounting frame and socket assembly) fully assembled for ease of installation • Accommodates 7/8" ceiling thickness maximum.

PRODUCT CODES

| Catalog Number | Reflector Finish | Ballast | Wattage and Lamp |
|-------------------------|--------------------------|-------------------------|---------------------|
| CV6-118T-601B-WH | Black Baffle/Clear Alzak | HPF 120V - 277V, Elect. | 18W Triple Tube CFL |
| CV6-118T-601W-WH | White Baffle/Clear Alzak | HPF 120V - 277V, Elect. | 18W Triple Tube CFL |

ENGINEERING DATA

| | 120V-HPF | 277V-HPF | 347V-HPF Canada |
|---------------------------|---------------|---------------|-----------------|
| Total input power | 19W | 19W | 19W |
| Operating AMPS | .16A | .07A | .06A |
| Power Factor | >.98 | >.98 | >.98 |
| T.H.D. | <10% | <10% | <10% |
| Min. starting temperature | 0°F/ -18°C | 0°F/ -18°C | 0°F/ -18°C |
| Crest Factor | <1.6 | <1.6 | <1.6 |
| Ballast Factor | 1.00 | 1.00 | 1.00 |

ACCESSORIES

| Catalog No. | Description |
|--------------|--|
| HB-26 | Two 26" C-channel bar hangers |
| HB-50 | Two 50" C-channel bar hangers |
| HB-1 | Two 13 1/2" - 25" Real Nail® 3 bar hangers |
| LB-27 | Two 27" linear bar hangers |
| PLK-E | 13-42W emerg. power kit (Elect. Ballast) |

To order, specify catalog number.

OPTIONS

(Add as suffix to housing or trim)

| Catalog No. | Description |
|-------------|------------------------------|
| 347 | 347V, HPF Electronic Ballast |

Ordering Example: CV6-118T-~~347~~-601B-WH

PHOTOMETRIC REPORT

Test Report #: PT03993110

Catalog No: CV6-118T-601B-WH

Total Luminaire Efficiency: 38.8%

Luminaire Spacing Criterion: 1.0

Luminaire: Recessed Black Baffled Aperture Downlight

Lamp: One 18W Triple Tube CFL lamp rated @ 1200 lumens

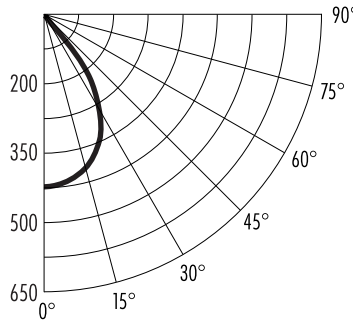
6" VERTICAL CFL DOWNLIGHT

BAFFLED APERTURE

One 18W Triple Tube

CV6-118T-601B, -601W

CANDLEPOWER DISTRIBUTION (Candelas)



| Degrees Vertical | Average |
|------------------|---------|
| 0 | 422 |
| 5 | 424 |
| 10 | 401 |
| 15 | 381 |
| 20 | 350 |
| 25 | 306 |
| 30 | 258 |
| 35 | 200 |
| 40 | 138 |
| 45 | 56 |
| 50 | 6 |
| 55 | 8 |
| 60 | 3 |
| 65 | 0 |
| 70 | 0 |
| 75 | 0 |
| 80 | 0 |
| 85 | 0 |
| 90 | 0 |

*Multiplier: White Baffle - 1.10

LUMINANCE (Average cd/m²)

| Degrees | Average Luminance |
|---------|-------------------|
| 45 | 49,198 |
| 55 | 851 |
| 65 | 0 |
| 75 | 0 |
| 85 | 0 |

ZONAL LUMEN SUMMARY

| Zone | Lumens | %Lamp | %Fixture |
|---------|--------|-------|----------|
| 0-30° | 290 | 24.2 | 69.7 |
| 0-40° | 416 | 34.6 | 89.3 |
| 0-60° | 466 | 38.8 | 100 |
| 0-90° | 466 | 38.8 | 100 |
| 90-180° | 0 | 0 | 0 |
| 0-180° | 466 | 38.8 | 100 |

COEFFICIENTS OF UTILIZATION –% (Zonal Cavity Method) Effective Floor Cavity Reflectance 20% (ρ_{fc})

| RCR | ρ_{cc} ρ_w | 80 | | | 70 | | | 50 | | | 30 | | | 10 | | | 0 |
|-----|-------------------------|----|----|----|----|----|----|----|----|----|----|----|----|----|----|----|----|
| | | 50 | 30 | 10 | 50 | 30 | 10 | 50 | 30 | 10 | 50 | 30 | 10 | 50 | 30 | 10 | 0 |
| 0 | | 47 | 47 | 47 | 45 | 45 | 45 | 43 | 43 | 43 | 42 | 42 | 42 | 40 | 40 | 40 | 39 |
| 1 | | 43 | 42 | 41 | 42 | 41 | 40 | 41 | 40 | 39 | 39 | 39 | 38 | 38 | 37 | 37 | 36 |
| 2 | | 40 | 38 | 37 | 39 | 38 | 36 | 38 | 37 | 36 | 37 | 36 | 35 | 36 | 35 | 34 | 33 |
| 3 | | 37 | 35 | 33 | 36 | 34 | 33 | 35 | 34 | 32 | 34 | 33 | 32 | 33 | 32 | 31 | 31 |
| 4 | | 34 | 32 | 30 | 34 | 32 | 30 | 33 | 31 | 30 | 32 | 31 | 29 | 31 | 30 | 29 | 28 |
| 5 | | 32 | 29 | 28 | 31 | 29 | 28 | 31 | 29 | 27 | 30 | 28 | 27 | 29 | 28 | 27 | 26 |
| 6 | | 30 | 27 | 25 | 29 | 27 | 25 | 29 | 27 | 25 | 28 | 26 | 25 | 28 | 26 | 25 | 24 |
| 7 | | 28 | 25 | 23 | 27 | 25 | 23 | 27 | 25 | 23 | 26 | 25 | 23 | 26 | 24 | 23 | 22 |
| 8 | | 26 | 23 | 22 | 26 | 23 | 22 | 25 | 23 | 22 | 25 | 23 | 22 | 24 | 23 | 21 | 21 |
| 9 | | 24 | 22 | 20 | 24 | 22 | 20 | 24 | 22 | 20 | 23 | 21 | 20 | 23 | 21 | 20 | 19 |
| 10 | | 23 | 20 | 19 | 23 | 20 | 19 | 22 | 20 | 19 | 22 | 20 | 19 | 22 | 20 | 19 | 18 |

ρ_{cc} – Ceiling Cavity Reflectance (%) ρ_w – Wall Reflectance (%)

INITIAL FOOTCANDLES

One Unit, 18 Watt, 68.4° Beam

| Footcandles Beam Edge | Footcandles Beam Center | Beam Diameter | Distance to Illuminated Plane (Feet) |
|-----------------------|-------------------------|---------------|--------------------------------------|
| 3.3 | 11.7 | 8.2' | 6 |
| 1.9 | 6.6 | 10.9' | 8 |
| 1.2 | 4.2 | 13.6' | 10 |
| 0.8 | 2.9 | 16.3' | 12 |
| 0.6 | 2.2 | 19.0' | 14 |
| 0.5 | 1.6 | 21.7' | 16 |
| 0.4 | 1.3 | 24.5' | 18 |
| 0.3 | 1.1 | 27.2' | 20 |

(Beam Edge defined as 50% of Maximum Nadir Candlepower)

AVERAGE INITIAL FOOTCANDLES

Multiple Units (Square Array)

Ceiling 80% Wall 50% Floor 20%

| Spacing | RCR1 | RCR4 | RCR8 |
|---------|------|------|------|
| 5.0' | 21 | 16 | 12 |
| 6.0' | 14 | 11 | 9 |
| 7.0' | 11 | 8 | 6 |
| 8.0' | 8 | 6 | 5 |
| 9.0' | 6 | 5 | 4 |
| 10.0' | 5 | 4 | 3 |
| 12.0' | 4 | 3 | 2 |

*Note: Multipliers are provided for estimating purposes only. Use IES photometric files for precise photometric information.

