



# ACULUX® RECESSED ADJUSTABLE

5-5/8" BAFFLED APERTURE

TC Rated, 75W PAR30

**TC963-635 SERIES**

Project: \_\_\_\_\_

Fixture Type: \_\_\_\_\_

Location: \_\_\_\_\_

Contact/Phone: \_\_\_\_\_

## PRODUCT DESCRIPTION

Recessed adjustable PAR30 luminaire with 5-5/8" angle-cut grooved baffle aperture. Fixture has 50° visual cutoff to lamp and lamp image. Aiming and rotation locks. TC housing designed for use in non-insulated areas, or where insulation is spaced at least 3" from housing.

## PRODUCT SPECIFICATIONS

**Lamp** One 75W PAR30 lamp.

**Socket** Medium base porcelain socket with nickel plated copper screw shell.

**Trim Ring** White, Satin Chrome, or Classic Aged Bronze on steel  
 • Torsion spring retention for tight, secure fit to ceiling  
 • Beveled profile for clean ceiling interface without light leaks.

**Baffle** Angle-cut grooved aluminum baffle • Black or white finish  
 • 50° lamp cut-off.

**Adjustability** Optimized lamp beam optical alignment with trim opening to insure full light output with low aperture brightness at any aiming angle • 361° rotation, 35° tilt • Toolless locking for both rotation and tilt • Off-vertical aiming marks to aid consistent aiming for multiple units • Unit may be relamped without unlocking adjustments • Matte black adjustment yoke to preserve dark aperture.

**Labels** U.L. listed for through-branch wiring, damp locations and IP • Product thermally protected against improper use of lamps or insulation • Union made • CSA certified.

**Testing** All reports are based on published industry procedures; field performance may differ from laboratory performance.

Product specifications subject to change without notice.

## INSTALLATION

**Mounting Bracket** Rough-in section equipped with vertically adjustable mounting brackets that accept 1/2" conduit, "C" channels (HB-26 or HB-50), linear flat bars (LB-27) or 26" telescoping Real Nail bar hangers (HB-1).

**Junction Box** Pre-wired junction box, U.L. listed/CSA certified for through-branch wiring, maximum 8 No. 12 AWG 90° C branch circuit conductors (4 in, 4 out) • Junction box provided with removable access plates (5) 1/2" and (1) 3/4" knockouts and ground wire.

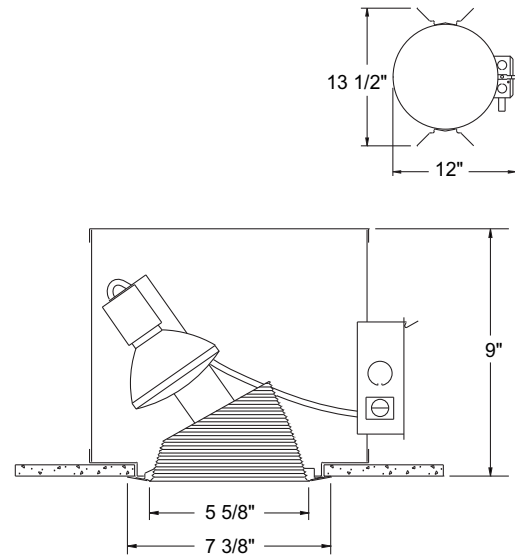
**Housing/Mounting Frame** 20-gauge die-formed galvanized steel mounting ring • 22-gauge steel housing painted black inside and out • Rough-in section (junction box, mounting frame, housing assembly and mounting brackets) fully assembled for ease of installation.

## PRODUCT CODES

Catalog Number	Baffle Finish, Trim	Wattage and Lamp
TC963-635B-ABZ	Black Baffle, Classic Aged Bronze Trim	75W PAR30
TC963-635B-SC	Black Baffle, Satin Chrome Trim	75W PAR30
TC963-635B-WH	Black Baffle, White Trim	75W PAR30
TC963-635W-WH	White Baffle, White Trim	75W PAR30

REV-7/10

## DIMENSIONS



6 7/8" CEILING CUTOUT

## ACCESSORIES

Catalog No.	Description
HB-1	Two Real Nail Bar Hangers
HB-26	Two 26" C-Channel Bar Hangers
HB-50	Two 50" C-Channel Bar Hangers
LB-27	Two 27" Linear Bar Hangers
CTA6	Ceiling Thickness Adapter

To order, specify catalog number.



Catalog No: TC963-635B-WH  
 Luminaire: 5-5/8" Recessed PAR30 Adjustable,  
 Baffled Aperture

# ACULUX® RECESSED ADJUSTABLE

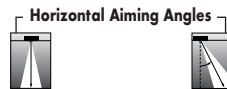
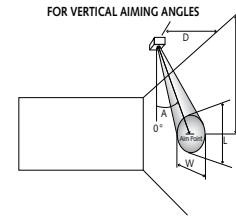
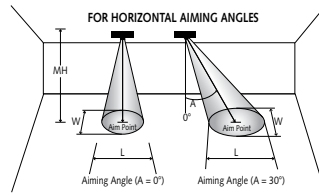
5-5/8" BAFFLED APERTURE

TC Rated, 75W PAR30

## TC963-635 SERIES

**CBCP** • Centerbeam candlepower  
**FC** • Footcandles at beam center (aim point)

In vertical aiming applications, aim point (X) is determined by dividing distance from the wall (D) by the tangent of the desired aim angle (A) (0.5774 for 30°, 1.0 for 45°).



Lamp	Beam Type	Beam Spread°	Rated Life	CBCP	0°				30°				45°							
					MH	FC	L	W	FC	L	W	D	FC	X	L	W	FC	X	L	W
50W PAR30 Halogen	SP	10°	3000	6900	6	192	1.0	1.0	124	1.4	1.2	3	96	5.2	2.1	1.0	271	3.0	1.1	0.7
					8	108	1.4	1.4	70	1.9	1.6	4	54	6.9	2.9	1.4	152	4.0	1.4	1.0
					10	69	1.7	1.7	45	2.3	2.0	5	35	8.7	3.6	1.7	98	5.0	1.8	1.2
					12	48	2.1	2.1	31	2.8	2.4	6	24	10.4	4.3	2.1	68	6.0	2.1	1.5
	NFL	25°	3000	2000	4	125	1.8	1.8	81	2.4	2.0	2	63	3.5	4.2	1.8	177	2.0	1.9	1.3
					6	56	2.7	2.7	36	3.6	3.1	3	28	5.2	6.2	2.7	79	3.0	2.8	1.9
					8	31	3.5	3.5	20	4.8	4.1	4	16	6.9	8.3	3.5	44	4.0	3.7	2.5
					10	20	4.4	4.4	13	6.0	5.1	5	10	8.7	10.4	4.4	28	5.0	4.7	3.1
					12	14	5.3	5.3	9	7.2	6.1	6	7	10.4	12.5	5.3	20	6.0	5.6	3.8
FL	35°	3000	1400	3	156	1.9	1.9	101	2.6	2.2	1	175	1.7	3.6	1.3	495	1.0	1.4	0.9	
				5	56	3.2	3.2	36	4.3	3.6	2	44	3.5	7.2	2.5	124	2.0	2.8	1.8	
				7	29	4.4	4.4	19	6.1	5.1	3	19	5.2	10.8	3.8	55	3.0	4.2	2.7	
				9	17	5.7	5.7	11	7.8	6.6	4	11	6.9	14.4	5.0	31	4.0	5.6	3.6	
				11	12	6.9	6.9	8	9.6	8.0	5	7	8.7	18.0	6.3	20	5.0	7.0	4.5	
				5	56	3.2	3.2	36	4.3	3.6	2	44	3.5	7.2	2.5	124	2.0	2.8	1.8	
50W PAR30 Halogen IR	SP	9°	3000	13000	6	361	0.9	0.9	235	1.3	1.1	4	102	6.9	2.6	1.3	287	4.0	1.3	0.9
					8	203	1.3	1.3	132	1.7	1.5	5	65	8.7	3.2	1.6	184	5.0	1.6	1.1
					10	130	1.6	1.6	84	2.1	1.8	6	45	10.4	3.8	1.9	128	6.0	1.9	1.3
					12	90	1.9	1.9	59	2.5	2.2	7	33	12.1	4.5	2.2	94	7.0	2.2	1.6
	NFL	25°	3000	2700	4	169	1.8	1.8	110	2.4	2.0	2	84	3.5	4.2	1.8	239	2.0	1.9	1.3
					6	75	2.7	2.7	49	3.6	3.1	3	38	5.2	6.2	2.7	106	3.0	2.8	1.9
					8	42	3.5	3.5	27	4.8	4.1	4	21	6.9	8.3	3.5	60	4.0	3.7	2.5
					10	27	4.4	4.4	18	6.0	5.1	5	14	8.7	10.4	4.4	38	5.0	4.7	3.1
					12	19	5.3	5.3	12	7.2	6.1	6	9	10.4	12.5	5.3	27	6.0	5.6	3.8
FL	35°	3000	1500	3	167	1.9	1.9	108	2.6	2.2	1	188	1.7	3.6	1.3	530	1.0	1.4	0.9	
				5	60	3.2	3.2	39	4.3	3.6	2	47	3.5	7.2	2.5	133	2.0	2.8	1.8	
				7	31	4.4	4.4	20	6.1	5.1	3	21	5.2	10.8	3.8	59	3.0	4.2	2.7	
				9	19	5.7	5.7	12	7.8	6.6	4	12	6.9	14.4	5.0	33	4.0	5.6	3.6	
				11	12	6.9	6.9	8	9.6	8.0	5	8	8.7	18.0	6.3	21	5.0	7.0	4.5	
				5	60	3.2	3.2	39	4.3	3.6	2	47	3.5	7.2	2.5	133	2.0	2.8	1.8	
75W PAR30 Halogen	SP	10°	3000	13000	6	361	1.0	1.0	235	1.4	1.2	4	102	6.9	2.9	1.4	287	4.0	1.4	1.0
					8	203	1.4	1.4	132	1.9	1.6	5	65	8.7	3.6	1.7	184	5.0	1.8	1.2
					10	130	1.7	1.7	84	2.3	2.0	6	45	10.4	4.3	2.1	128	6.0	2.1	1.5
					12	90	2.1	2.1	59	2.8	2.4	7	33	12.1	5.0	2.4	94	7.0	2.5	1.7
	NFL	25°	3000	3100	4	194	1.8	1.8	126	2.4	2.0	2	97	3.5	4.2	1.8	274	2.0	1.9	1.3
					6	86	2.7	2.7	56	3.6	3.1	3	43	5.2	6.2	2.7	122	3.0	2.8	1.9
					8	48	3.5	3.5	31	4.8	4.1	4	24	6.9	8.3	3.5	69	4.0	3.7	2.5
					10	31	4.4	4.4	20	6.0	5.1	5	16	8.7	10.4	4.4	44	5.0	4.7	3.1
					12	22	5.3	5.3	14	7.2	6.1	6	11	10.4	12.5	5.3	30	6.0	5.6	3.8
FL	35°	3000	2000	4	125	2.5	2.5	81	3.5	2.9	2	63	3.5	7.2	2.5	177	2.0	2.8	1.8	
				6	56	3.8	3.8	36	5.2	4.4	3	28	5.2	10.8	3.8	79	3.0	4.2	2.7	
				8	31	5.0	5.0	20	7.0	5.8	4	16	6.9	14.4	5.0	44	4.0	5.6	3.6	
				10	20	6.3	6.3	13	8.7	7.3	5	10	8.7	18.0	6.3	28	5.0	7.0	4.5	
				12	14	7.6	7.6	9	10.4	8.7	6	7	10.4	21.6	7.6	20	6.0	8.4	5.4	
				4	125	2.5	2.5	81	3.5	2.9	2	63	3.5	7.2	2.5	177	2.0	2.8	1.8	

The beam spread in degrees and the beam "L" and "W" in the following tables are computed at 50% of centerbeam candlepower and represent areas of "effective illumination."



1300 S. Wolf Road • Des Plaines, IL 60018 • Phone (847) 827-9880 • Fax (847) 827-2925  
 220 Chrysler Drive • Brampton, Ontario • Canada L6S 6B6 • Phone (905) 792-7335 • Fax (905) 792-0064  
 Visit us at [www.junolightinggroup.com](http://www.junolightinggroup.com)