



ACULUX® RECESSED DOWNLIGHT

5-5/8" LENSED WALL WASH

TC Rated, 75W PAR30

TC62-629 SERIES

Project: _____

Fixture Type: _____

Location: _____

Contact/Phone: _____

PRODUCT DESCRIPTION

Recessed PAR30 downlight luminaire with 5-5/8" prismatic lens wall wash aperture. Fixture has 50° visual cutoff to lamp and lamp image. TC housing designed for use in non-insulated areas, or where insulation is spaced at least 3" from housing.

PRODUCT SPECIFICATIONS

Lamp One 75W PAR30 lamp.

Socket Medium base porcelain socket with nickel plated copper screw shell.

Trim Ring White, Satin Chrome, or Classic Aged Bronze on steel
 • Torsion spring retention for tight, secure fit to ceiling
 • Beveled profile for clean ceiling interface without light leaks.

Reflector .050" aluminum angle-cut reflector with clear, gold, black or haze finish • 50° lamp and lamp image cut-off
 • Specular clear kicker reflector directs light towards wall surface.

Lens Frosted prismatic lens attached to top of trim provides maximum, even illumination on wall surface.

Labels U.L. listed for through-branch wiring, damp locations and IP • Product thermally protected against improper use of lamps or insulation • Union made • CSA certified.

Testing All reports are based on published industry procedures; field performance may differ from laboratory performance.

Product specifications subject to change without notice.

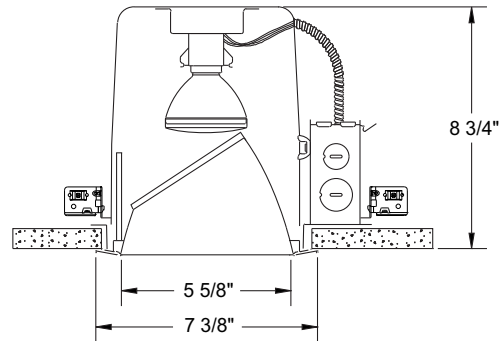
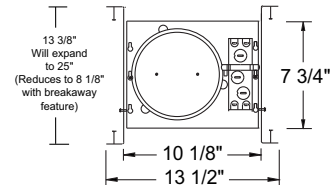
INSTALLATION

Real Nail 3 Bar Hangers Telescoping, patent-pending Real Nail 3 system permits quick placement of housing anywhere within 24" O.C. joists or suspended ceilings • Integral T-bar notch and clip secures housing in suspended ceiling grid – no accessory clips required • 24" expansion stop allows quick placement of fixture in standard grid spacing • Bars scored in two locations for fast, clean breaking, allowing housing installation in tight applications
 • Bars captive to mounting frame • Edge-mounted for extra strength • Captive bugle-headed ring shank nail for quick one-step installation and easy removal with claw hammer for fixture relocation • Quick-Loc slot and oversized locking set screw lock fixture in position • Bar hanger foot contoured to align to bottom of construction joist • Alternate mounting holes included.

Junction Box Pre-wired junction box, U.L. listed/CSA certified for through-branch wiring, maximum 8 No. 12 AWG 90° C branch circuit conductors (4 in, 4 out) • Junction box provided with removable access plates (5) 1/2" and (1) 3/4" knockouts and ground wire.

Housing/Mounting Frame 20-gauge die-formed galvanized steel mounting ring • 22-gauge steel housing painted black inside and out • Rough-in section (junction box, mounting frame, housing assembly and mounting brackets) fully assembled for ease of installation.

DIMENSIONS



6 7/8" CEILING CUTOUT

PRODUCT CODES

Catalog Number	Reflector Finish, Trim	Wattage and Lamp
TC62-629C-WH	Clear Alzak, White Trim	75W PAR30
TC62-629B-WH	Black Alzak, White Trim	75W PAR30
TC62-629G-WH	Gold Alzak, White Trim	75W PAR30
TC62-629HZ-SC	Haze, Satin Chrome Trim	75W PAR30
TC62-629HZ-WH	Haze, White Trim	75W PAR30
TC62-629WHZ-ABZ	Wheat Haze, Classic Aged Bronze Trim	75W PAR30
TC62-629WHZ-WH	Wheat Haze, White Trim	75W PAR30

PHOTOMETRIC REPORT

Test Report#: PT03011504
Catalog No: TC62-629C-WH
Total Luminaire Efficiency: 50.7%
Luminaire Spacing Criterion @ 90°: 0.66
Luminaire: 5-5/8" Recessed PAR Downlight, Lensed Wall Wash
Lamp: One 75W PAR30 FL40 lamp rated @ 965 lumens

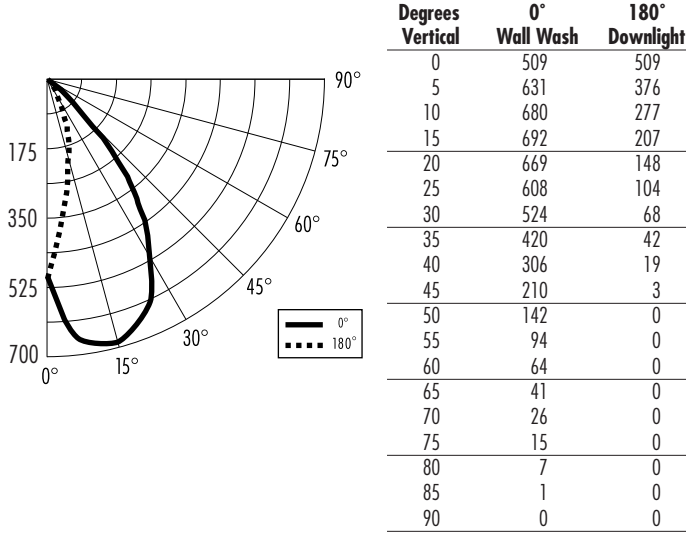
ACULUX® RECESSED DOWNLIGHT

5-5/8" LENSED WALL WASH

TC Rated, 75W PAR30

TC62-629 SERIES

CANDLEPOWER DISTRIBUTION (Candelas)



LUMINANCE (Average cd/m²)

Degrees	180° Downlight Luminance
45	241
55	0
65	0
75	0
85	0

ZONAL LUMEN SUMMARY

Zone	Lumens	%Lamp	%Fixture
0-30°	285	29.5	58.2
0-40°	389	40.4	79.5
0-60°	474	49.1	96.8
0-90°	490	50.7	100.0
90-180°	0	—	—
0-180°	490	50.7	100.0

FOOTCANDLES ON WALL FROM MULTIPLE FIXTURES

Fixture Distance to Wall	2'			3'		
	2'	3'	4'	3'	4'	5'
1'	8 11 8	4 9 4	2 3 2	1 2 1		
2'	20 24 20	9 20 9	6 7 6	3 6 3		
3'	25 27 25	13 21 13	9 11 9	6 9 6		
4'	21 21 21	13 16 13	11 12 11	7 10 7		
5'	16 16 16	10 11 10	11 12 11	8 9 8		
6'	12 12 12	8 8 8	10 10 10	7 8 7		
7'	9 9 9	6 6 6	8 8 8	6 6 6		
8'	7 7 7	5 5 5	7 7 7	5 5 5		
9'	6 6 6	4 4 4	6 6 6	4 4 4		

*Multipliers: 50W PAR30HIR - 0.75, 50W PAR30H - 0.58, Gold - 0.9, Black - 0.7, Haze - 0.95

*Note: Multipliers are provided for estimating purposes only. Use IES photometric files for precise photometric information.

