



# ACULUX® RECESSED DOWNLIGHT

## 5-5/8" OPEN APERTURE

TC Rated, 75W PAR30 or 120W PAR38

### TC62-627 SERIES

Project: \_\_\_\_\_

Fixture Type: \_\_\_\_\_

Location: \_\_\_\_\_

Contact/Phone: \_\_\_\_\_

#### PRODUCT DESCRIPTION

Recessed PAR30/PAR38 downlight luminaire with 5-5/8" Alzak® deep cone aperture. Fixture has 50° visual cutoff to lamp and lamp image. TC housing designed for use in non-insulated areas, or where insulation is spaced at least 3" from housing.

#### PRODUCT SPECIFICATIONS

**Lamp** One 75W PAR30 or 120W PAR38 lamp.

**Socket** Medium base porcelain socket with nickel plated copper screw shell.

**Trim Ring** White, Satin Chrome, or Classic Aged Bronze on steel  
 • Torsion spring retention for tight, secure fit to ceiling  
 • Beveled profile for clean ceiling interface without light leaks.

**Reflector** .040" aluminum angle cut reflector with clear, gold, black or haze finish  
 • 50° lamp and lamp image cut-off.

**Labels** U.L. listed for through-branch wiring, damp locations and IP  
 • Product thermally protected against improper use of lamps or insulation  
 • Union made  
 • CSA certified.

**Testing** All reports are based on published industry procedures; field performance may differ from laboratory performance.

Product specifications subject to change without notice.

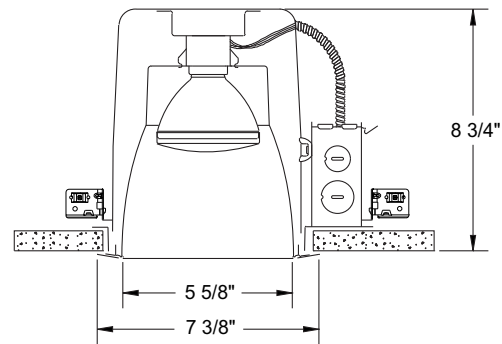
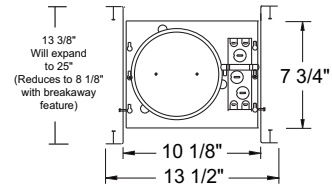
#### INSTALLATION

**Real Nail 3 Bar Hangers** Telescoping, patent-pending Real Nail 3 system permits quick placement of housing anywhere within 24" O.C. joists or suspended ceilings  
 • Integral T-bar notch and clip secures housing in suspended ceiling grid – no accessory clips required  
 • 24" expansion stop allows quick placement of fixture in standard grid spacing  
 • Bars scored in two locations for fast, clean breaking, allowing housing installation in tight applications  
 • Bars captive to mounting frame  
 • Edge-mounted for extra strength  
 • Captive bugle-headed ring shank nail for quick one-step installation and easy removal with claw hammer for fixture relocation  
 • Quick-Loc slot and oversized locking set screw lock fixture in position  
 • Bar hanger foot contoured to align to bottom of construction joist  
 • Alternate mounting holes included.

**Junction Box** Pre-wired junction box, U.L. listed/CSA certified for through-branch wiring, maximum 8 No. 12 AWG 90° C branch circuit conductors (4 in, 4 out)  
 • Junction box provided with removable access plates (5) 1/2" and (1) 3/4" knockouts, (4) Non-metallic sheathed cable knock-outs with built-in strain reliefs and ground wire  
 • Knockouts equipped with pryout slots.

**Housing/Mounting Frame** 22-gauge die-formed galvanized steel plaster frame  
 • .064" formed aluminum housing  
 • Rough-in section (junction box, mounting frame, housing assembly and bar hangers) fully assembled for ease of installation.

#### DIMENSIONS



6 7/8" CEILING CUTOUT

#### PRODUCT CODES

Catalog Number	Reflector Finish, Trim	Wattage and Lamp
TC62-627C-WH	Clear Alzak, White Trim	75W PAR30 or 120W PAR38
TC62-627B-WH	Black Alzak, White Trim	75W PAR30 or 120W PAR38
TC62-627G-WH	Gold Alzak, White Trim	75W PAR30 or 120W PAR38
TC62-627HZ-SC	Haze, Satin Chrome Trim	75W PAR30 or 120W PAR38
TC62-627HZ-WH	Haze, White Trim	75W PAR30 or 120W PAR38
TC62-627WHZ-ABZ	Wheat Haze, Classic Aged Bronze Trim	75W PAR30 or 120W PAR38
TC62-627WHZ-WH	Wheat Haze, White Trim	75W PAR30 or 120W PAR38

**PHOTOMETRIC REPORT**

Test Report #: PTO2012101

Catalog No: TC62-627C-WH

Total Luminaire Efficiency: 94.5%

Luminaire Spacing Criterion: 0.5

Luminaire: 5-5/8" Recessed PAR Downlight, Open Aperture

Lamp: One 120W PAR38 FL30 lamp rated @ 1900 lumens

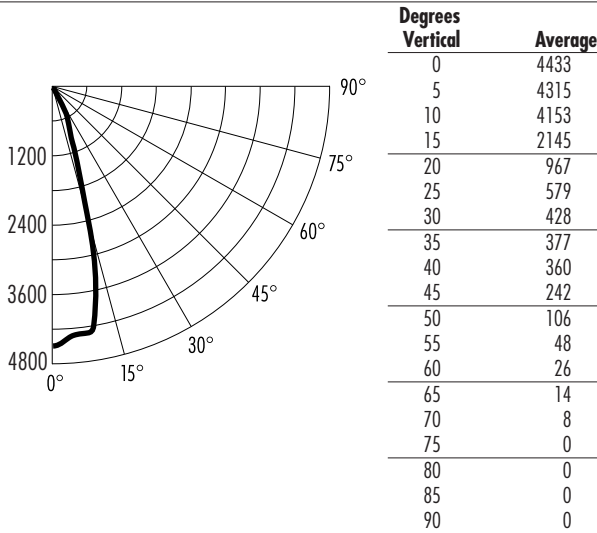
**ACULUX® RECESSED DOWNLIGHT**

5-5/8" OPEN APERTURE

TC Rated, 75W PAR30 or 120W PAR38

**TC62-627 SERIES**

**CANDLEPOWER DISTRIBUTION (Candelas)**



\*Multipliers: 90W PAR38HIR - 0.77, 90W PAR38H - 0.68, 75W PAR38H - 0.55, 60W PAR38HIR - 0.58, 60W PAR38H - 0.47, Gold - 0.9, Haze - 0.95, Black - 0.7

**LUMINANCE (Average cd/m²)**

Degrees	Average Luminance
45	21190
55	5207
65	2112
75	0
85	0

**ZONAL LUMEN SUMMARY**

Zone	Lumens	%Lamp	%Fixture
0-30°	1310	69.0	72.9
0-40°	1550	81.6	86.3
0-60°	1779	93.6	99.0
0-90°	1796	94.5	100.0
90-180°	0	—	—
0-180°	1796	94.5	100.0

**COEFFICIENTS OF UTILIZATION – % (Zonal Cavity Method) Effective Floor Cavity Reflectance 20% (ρfc)**

RCR	ρcc ρw	80			70			50			30			10			0
		50	30	10	50	30	10	50	30	10	50	30	10	50	30	10	0
0		113	113	113	110	110	110	105	105	105	101	101	101	95	95	95	93
1		105	103	101	103	101	99	99	98	96	96	95	93	93	92	91	87
2		98	95	92	97	94	91	94	91	89	91	89	87	88	87	85	84
3		92	88	85	91	87	84	89	85	83	86	84	81	84	82	80	79
4		87	82	79	86	82	78	84	80	77	82	79	76	80	78	75	74
5		82	77	74	81	77	73	80	76	73	78	75	72	77	74	71	70
6		78	73	69	77	73	69	76	72	69	75	71	68	74	70	68	66
7		74	69	66	74	69	65	73	68	65	71	68	65	70	67	64	63
8		71	66	62	70	66	62	69	65	62	68	65	62	68	64	61	60
9		68	63	59	67	63	59	67	62	59	66	62	59	65	61	59	58
10		65	60	57	65	60	57	64	60	57	63	59	57	63	59	56	55

ρcc – Ceiling Cavity Reflectance (%) ρw – Wall Reflectance (%)

**INITIAL FOOTCANDLES**

One Unit, 120W PAR38, 30° Beam

Footcandles Beam Edge	Footcandles Beam Center	Beam Diameter	Distance to Illuminated Plane (Feet)
55.6	123.1	3.2'	6
31.3	69.3	4.2'	8
20.0	44.3	5.3'	10
13.9	30.8	6.4'	12
10.2	22.6	7.4'	14
7.8	17.3	8.5'	16
6.2	13.7	9.5'	18
5.0	11.1	10.6'	20

(Beam Edge defined as 50% of Maximum Nadir Candlepower)

**AVERAGE INITIAL FOOTCANDLES**

Multiple Units (Square Array, 60' x 60' Room)

Spacing	RCR1	RCR3	RCR5
4.0'	125	109	97
5.0'	80	70	62
6.0'	55	49	43
7.0'	45	39	35
8.0'	35	31	28
9.0'	27	24	21
10.0'	20	17	16

Ceiling 80% Wall 50% Floor 20%

\*Note: Multipliers are provided for estimating purposes only. Use IES photometric files for precise photometric information.

