



ACULUX® RECESSED DOWNLIGHT

5-5/8" BAFFLED APERTURE

TC Rated, 75W PAR30 or 120W PAR38

TC62-624 SERIES

Project: _____

Fixture Type: _____

Location: _____

Contact/Phone: _____

PRODUCT DESCRIPTION

Recessed PAR30/PAR38 downlight luminaire with 5-5/8" grooved deep baffle aperture. Fixture has 50° visual cutoff to lamp and lamp image. TC housing designed for use in non-insulated areas, or where insulation is spaced at least 3" from housing.

PRODUCT SPECIFICATIONS

Lamp One 75W PAR30 or 120W PAR38 lamp.

Socket Medium base porcelain socket with nickel plated copper screw shell.

Trim Ring White, Satin Chrome, or Classic Aged Bronze on steel

- Torsion spring retention for tight, secure fit to ceiling
- Beveled profile for clean ceiling interface without light leaks.

Baffle Deep grooved aluminum baffle

- Black or white finish
- 50° lamp cut-off.

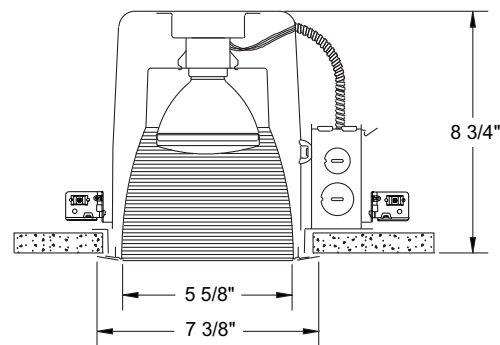
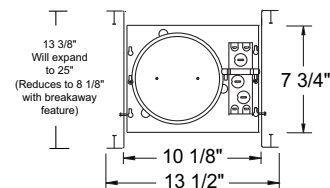
Labels U.L. listed for through-branch wiring, damp locations and IP

- Product thermally protected against improper use of lamps or insulation
- Union made
- CSA certified.

Testing All reports are based on published industry procedures; field performance may differ from laboratory performance.

Product specifications subject to change without notice.

DIMENSIONS



6 7/8" CEILING CUTOUT

INSTALLATION

Real Nail 3 Bar Hangers Telescoping, patent-pending Real Nail 3 system permits quick placement of housing anywhere within 24" O.C. joists or suspended ceilings

- Integral T-bar notch and clip secures housing in suspended ceiling grid – no accessory clips required
- 24" expansion stop allows quick placement of fixture in standard grid spacing
- Bars scored in two locations for fast, clean breaking, allowing housing installation in tight applications
- Bars captive to mounting frame
- Edge-mounted for extra strength
- Captive bugle-headed ring shank nail for quick one-step installation and easy removal with claw hammer for fixture relocation
- Quick-Loc slot and oversized locking set screw lock fixture in position
- Bar hanger foot contoured to align to bottom of construction joist
- Alternate mounting holes included.

Junction Box Pre-wired junction box, U.L. listed/CSA certified for through-branch wiring, maximum 8 No. 12 AWG 90° C branch circuit conductors (4 in, 4 out)

- Junction box provided with removable access plates (5) 1/2" and (1) 3/4" knockouts, (4) Non-metallic sheathed cable knock-outs with built-in strain reliefs and ground wire
- Knockouts equipped with pryout slots.

Housing/Mounting Frame 22-gauge die-formed galvanized steel plaster frame

- .064" formed aluminum housing
- Rough-in section (junction box, mounting frame, housing assembly and bar hangers) fully assembled for ease of installation.

PRODUCT CODES

Catalog Number	Baffle Finish, Trim	Wattage and Lamp
TC62-624B-ABZ	Black Baffle, Classic Aged Bronze Trim	75W PAR30 or 120W PAR38
TC62-624B-SC	Black Baffle, Satin Chrome Trim	75W PAR30 or 120W PAR38
TC62-624B-WH	Black Baffle, White Trim	75W PAR30 or 120W PAR38
TC62-624W-WH	White Baffle, White Trim	75W PAR30 or 120W PAR38

PHOTOMETRIC REPORT

Test Report #: PT02012102
Catalog No: IC62-624B-WH
Total Luminaire Efficiency: 77.5%
Luminaire Spacing Criterion: 0.5
Luminaire: 5-5/8" Recessed PAR Downlight, Baffled Aperture
Lamp: One 120W PAR38 FL30 lamp rated @ 1900 lumens

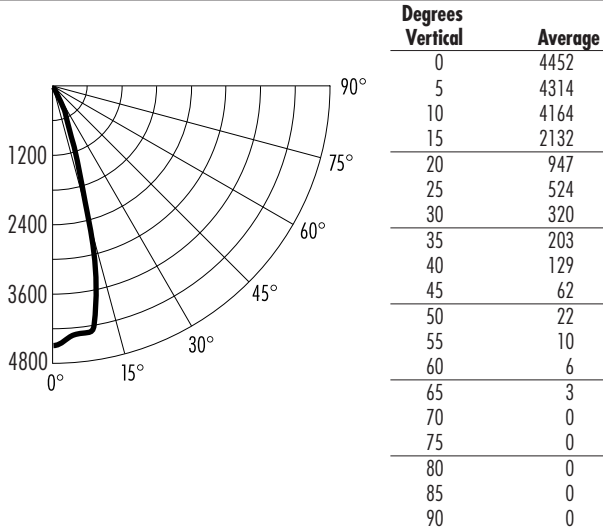
ACULUX® RECESSED DOWNLIGHT

5-5/8" BAFFLED APERTURE

TC Rated, 75W PAR30 or 120W PAR38

TC62-624 SERIES

CANDLEPOWER DISTRIBUTION (Candelas)



*Multipliers: 90W PAR38HIR - 0.77, 90W PAR38H - 0.68, 75W PAR38H - 0.55, 60W PAR38HIR - 0.58, 60W PAR38H - 0.47, White Baffle - 1.10

LUMINANCE (Average cd/m²)

Degrees	Average Luminance
45	5433
55	1060
65	430
75	0
85	0

ZONAL LUMEN SUMMARY

Zone	Lumens	%Lamp	%Fixture
0-30°	1281	67.4	87.1
0-40°	1410	74.2	95.8
0-60°	1469	77.3	99.8
0-90°	1472	77.5	100.0
90-180°	0	—	—
0-180°	1472	77.5	100.0

COEFFICIENTS OF UTILIZATION – % (Zonal Cavity Method) Effective Floor Cavity Reflectance 20% (ρ_{fc})

RCR	ρ_{cc} ρ_{w}	80			70			50			30			10			0
		50	30	10	50	30	10	50	30	10	50	30	10	50	30	10	
0		92	92	92	90	90	90	86	86	86	82	82	82	79	79	79	77
1		87	85	84	85	84	83	82	81	80	79	79	78	77	76	75	74
2		82	80	78	81	79	77	79	77	75	76	75	74	74	73	72	71
3		78	75	73	77	74	72	75	73	71	74	72	70	72	70	69	68
4		75	71	69	74	71	68	72	70	67	71	69	67	69	68	66	65
5		71	68	65	71	67	65	69	67	64	68	66	64	67	65	63	62
6		68	65	62	68	64	62	67	64	62	66	63	61	65	63	61	60
7		66	62	60	65	62	59	64	61	59	64	61	59	63	60	59	58
8		63	60	57	63	59	57	62	59	57	61	59	57	61	58	56	56
9		61	57	55	61	57	55	60	57	55	59	57	55	59	56	55	54
10		59	55	53	59	55	53	58	55	53	58	55	53	57	55	53	52

ρ_{cc} – Ceiling Cavity Reflectance (%) ρ_{w} – Wall Reflectance (%)

INITIAL FOOTCANDLES

One Unit, 120W PAR38, 30° Beam

Footcandles Beam Edge	Footcandles Beam Center	Beam Diameter	Distance to Illuminated Plane (Feet)
55.9	123.7	3.2'	6
31.4	69.6	4.2'	8
20.1	44.5	5.3'	10
14.0	30.9	6.3'	12
10.3	22.7	7.4'	14
7.9	17.4	8.4'	16
6.2	13.7	9.5'	18
5.0	11.1	10.5'	20

(Beam Edge defined as 50% of Maximum Nadir Candlepower)

AVERAGE INITIAL FOOTCANDLES

Multiple Units (Square Array, 60' x 60' Room)

Ceiling 80% Wall 50% Floor 20%

Spacing	RCR1	RCR3	RCR5
4.0'	103	93	84
5.0'	66	59	54
6.0'	46	41	37
7.0'	37	33	30
8.0'	29	26	24
9.0'	22	20	18
10.0'	17	15	13

*Note: Multipliers are provided for estimating purposes only. Use IES photometric files for precise photometric information.



1300 S. Wolf Road • Des Plaines, IL 60018 • Phone (847) 827-9880 • Fax (847) 827-2925
 220 Chrysler Drive • Brampton, Ontario • Canada L6S 6B6 • Phone (905) 792-7335 • Fax (905) 792-0064
 Visit us at www.junolightinggroup.com