



ACULUX® RECESSED DOWNLIGHT

6" DECORATIVE GLASS

IC Rated, 100W A19

IC62-611 SERIES

Project: _____

Fixture Type: _____

Location: _____

Contact/Phone: _____

PRODUCT DESCRIPTION

Recessed A-lamp 6" downlight luminaire with translucent hand blown Swirled Etched Opal Glass diffuser. Wet Location Listed. Sealed Air-Loc housing eliminates leak-paths to ensure maximum energy savings and comfort. Also controls plenum sound transmission and keeps dust and insects from entering living space. IC rated housing for use in direct contact with insulation.

PRODUCT SPECIFICATIONS

Lamp One 100W A19 lamp.

Socket Medium base porcelain socket with nickel plated copper screw shell.

Reflector .040" aluminum reflector with clear finish.

Glass Decorative translucent hand blown Swirled Etched Opal Glass has a soft glowing appearance.

Labels U.L. listed for direct contact with insulation, through-branch wiring, wet locations and IP • Meets Washington State Air Tight Requirements, 1995 CABO Model Energy Code
 • Product thermally protected against improper use of lamps
 • Union made • CSA certified.

Testing All reports are based on published industry procedures; field performance may differ from laboratory performance.

Product specifications subject to change without notice.

INSTALLATION

Real Nail 3 Bar Hangers Telescoping, patent-pending Real Nail 3 system permits quick placement of housing anywhere within 24" O.C. joists or suspended ceilings • Integral T-bar notch and clip secures housing in suspended ceiling grid – no accessory clips required • 24" expansion stop allows quick placement of fixture in standard grid spacing • Bars scored in two locations for fast, clean breaking, allowing housing installation in tight applications
 • Bars captive to mounting frame • Edge-mounted for extra strength • Captive bugle-headed ring shank nail for quick one-step installation and easy removal with claw hammer for fixture relocation • Quick-Loc slot and oversized locking set screw lock fixture in position • Bar hanger foot contoured to align to bottom of construction joist • Alternate mounting holes included.

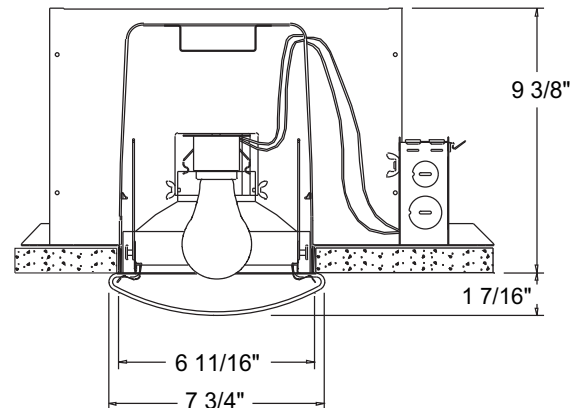
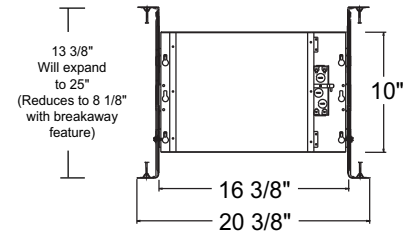
Junction Box Pre-wired junction box, U.L. listed/CSA certified for through-branch wiring, maximum 8 No. 12 AWG 90° C branch circuit conductors (4 in, 4 out) • Junction box provided with removable access plates (5) ½" and (1) ¾" knockouts, (4) Non-metallic sheathed cable knock-outs with built-in strain reliefs and ground wire • Knockouts equipped with pryout slots.

Housing/Mounting Frame 20-gauge die-formed galvanized steel plaster frame • .032" die-formed aluminum outer housing with .064" formed aluminum inner housing • Rough-in section (junction box, mounting frame, housing assembly and bar hangers) fully assembled for ease of installation.

PRODUCT CODES

Catalog Number	Trim	Wattage and Lamp
IC62-611-WH	Swirled Etched Opal Glass	100W A19

DIMENSIONS



6 7/8" CEILING CUTOUT

PHOTOMETRIC REPORT

Test Report #: PTO6020401
Catalog No: IC62-611-WH
Total Luminaire Efficiency: 53.1%
Luminaire Spacing Criterion: 1.0
Luminaire: 6" Recessed Decorative Glass Downlight
Lamp: One 100W A19 IF lamp rated @ 1710 lumens

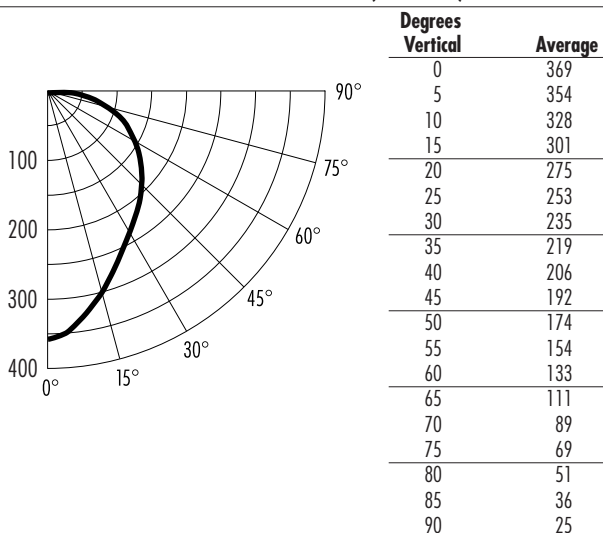
ACULUX® RECESSED DOWNLIGHT

6" DECORATIVE GLASS

IC Rated, 100W A19

IC62-611 SERIES

CANDLEPOWER DISTRIBUTION (Candelas)



*Multipliers: 75W A19 - .70

LUMINANCE (Average cd/m²)

Degrees	Average Luminance
45	7844
55	7161
65	6193
75	5009
85	3944

ZONAL LUMEN SUMMARY

Zone	Lumens	%Lamp	%Fixture
0-30°	235	13.7	25.9
0-40°	373	21.8	41.0
0-60°	658	38.5	72.5
0-90°	882	51.6	97.1
90-180°	26	1.5	2.9
0-180°	908	53.1	100.0

COEFFICIENTS OF UTILIZATION – % (Zonal Cavity Method) Effective Floor Cavity Reflectance 20% (ρ_{fc})

RCR	ρ_{cc} ρ_w	80			70			50			30			10			0
		50	30	10	50	30	10	50	30	10	50	30	10	50	30	10	
0		63	63	63	61	61	61	58	58	58	55	55	55	53	53	53	52
1		54	51	49	52	50	48	50	48	46	47	46	44	45	44	43	42
2		47	43	40	46	42	39	43	40	38	41	39	37	40	37	36	34
3		41	36	33	40	36	32	38	35	32	36	33	31	35	32	30	29
4		36	31	28	35	31	27	34	30	27	32	29	26	31	28	26	25
5		32	27	24	32	27	24	30	26	23	29	26	23	28	25	22	21
6		29	24	21	29	24	21	27	23	20	26	23	20	25	22	20	19
7		26	22	18	26	21	18	25	21	18	24	20	18	23	20	18	16
8		24	20	16	24	19	16	23	19	16	22	19	16	21	18	16	15
9		22	18	15	22	18	15	21	17	15	20	17	14	20	17	14	13
10		21	16	13	20	16	13	20	16	13	19	16	13	18	15	13	12

ρ_{cc} – Ceiling Cavity Reflectance (%) ρ_w – Wall Reflectance (%)

INITIAL FOOTCANDLES

One Unit, 100W A19, 94.4° Beam

Footcandles Beam Edge	Footcandles Beam Center	Beam Diameter	Distance to Illuminated Plane (Feet)
1.6	10.2	13.0'	6
0.9	5.8	17.3'	8
0.6	3.7	21.6'	10
0.4	2.6	25.9'	12
0.3	1.9	30.2'	14
0.2	1.4	34.6'	16
0.2	1.1	38.9'	18
0.1	0.9	43.2'	20

(Beam Edge defined as 50% of Maximum Nadir Candlepower)

AVERAGE INITIAL FOOTCANDLES

Multiple Units (Square Array, 60' x 60' Room)

Ceiling 80% Wall 50% Floor 20%

Spacing	RCR1	RCR3	RCR5
4.0'	58	44	34
5.0'	37	28	22
6.0'	26	19	15
7.0'	21	16	12
8.0'	16	12	10
9.0'	13	10	7
10.0'	9	7	5

*Note: Multipliers are provided for estimating purposes only. Use IES photometric files for precise photometric information.

