



PRODUCT DESCRIPTION

Recessed adjustable metal halide MR16 luminaire with mirrored adjustable trim featuring 15° to 75° hot-aiming. Precision engineered optics reduces aperture brightness and stray light on the ceiling. Low profile non-IC housing is for use in non-insulated areas, or where insulation is spaced at least 3" from housing. Supplied with vertically adjustable mounting brackets that accept 1/2" conduit, "C" channel bar hangers, linear bar hangers, or telescoping Real Nail bar hangers.

PRODUCT SPECIFICATIONS

Optics Die-Cast body features a clear glass mirror for maximum light output and precise beam control • Trims, available in white or black finish, feature a black baffle for low aperture brightness and to reduce stray light on the ceiling.

Trim Style Trims utilize torsion spring retention for tight, secure fit to ceiling • Trim ring features beveled knife edge for clean ceiling interface.

Lens Lampholder accommodates up to two (2) 2" captive accessory lenses.

Socket GX10 twist lock socket with quick disconnect for simplified maintenance.

Lamp One 20W or 39W CMH MR16 lamp.

Adjustability Acu-Aim™ precision geared aiming achieves 370° rotation while the trim features 15° to 75° tilt • Lamp aiming lock on trim allows the fixture to be relamped without disturbing the aiming.

Ballast High Power Factor, electronic solid state ballast with less than 10% THD • Features transient and short circuit protection • Available in 120V or 277V.

Codes/Labels UL and cUL listed for through branch wiring, damp locations • Product thermally protected • Union made.

Mounting Bracket Rough-in section equipped with vertically adjustable mounting brackets that accept 1/2" conduit, "C" channels (HB-26 or HB-50), linear flat bars (LB-27) or 26" telescoping Real Nail bar hangers (HB-1).

Junction Box Rated for 8 No. 12 AWG 90° C through branch circuit conductors and includes (5) 1/2", (1) 3/4", and (4) Non-metallic sheathed cable knock-outs • Push-in electrical connectors for field connections.

Housing/Mounting Frame Black steel plaster frame and housing painted for visually dark interior • V-Notch in plaster frame aids fixture alignment during installation • Patent pending Tru-Line™ Adjustment Mechanism featuring +/- 1/2" translation aids fixture alignment after installation, prior to drywall.

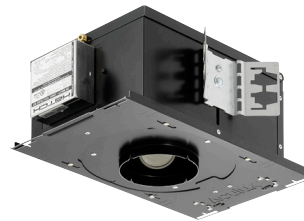
**RECESSED ADJUSTABLE
MIRRORED SUPER ADJUSTABLE
Non-IC Rated 20W, 39W CMH MR16
TC943M, 4349N TRIM**

Project: _____

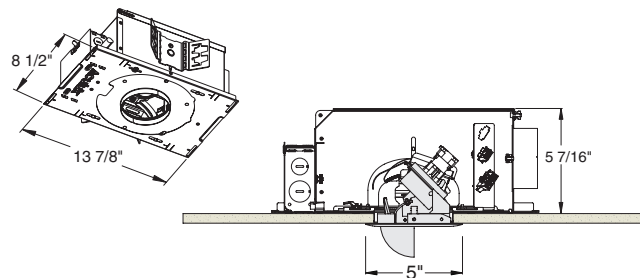
Fixture Type: _____

Location: _____

Contact/Phone: _____



DIMENSIONS



4 1/4" CEILING CUTOUT

Ceiling Thickness 1/2" – 7/8" ceiling standard • For thicker ceilings, order CTA4N-125 (7/8"-1 1/4"), CTA4N-163 (1 1/4"-1 5/8") or CTA4N-200 (1 5/8" – 2").

Ordering Information Housing, trim and accessories each ordered separately

Example: **TC943M-MR16-20E1**

Housing	Wattage	Voltage	Options
TC943M-MR16	20 20W 39 39W	E1 120V E2 277V	CP Chicago Plenum

Example: **4349NB-WH**

Trim/Description

Accessories

Cat. #	Description	Cat. #	Description
T741	Med. Pink Color Filter	T7420	Diffuse Spread Lens
T742	Warm Red Color Filter	T7422	UV Filter Lens
T743	Daylight Blue Color Filter	T7477	Prismatic Lens
T744	Med. Blue Color Filter	T7478	Linear Spread Lens
T745	Med. Amber Color Filter	T7459BL	Hexcell Louver
T746	Med. Green Color Filter	CTA4N-125	1 1/4" Thick Ceiling Adapter
T7401	Red Dichroic Lens	CTA4N-163	1 5/8" Thick Ceiling Adapter
T7403	Med. Green Dichroic Lens	CTA4N-200	2" Thick Ceiling Adapter
T7404	Med. Blue Dichroic Lens	HB-1	(2) Real Nail 3 Bar Hangers
T7405	Yellow Dichroic Lens	HB-26	(2) 26" C-Channel Bar Hangers
T7406	Magenta Dichroic Lens	HB-50	(2) 50" C-Channel Bar Hangers
T7411	Blue Green Dichroic Lens	LB-27	(2) 27" Linear Bar Hangers
T7416	Daylight Blue Correction Lens		

To order, specify catalog number.



Trim Ring	Description
4349NB-WH	White Trim, Black Baffle
4349NB-BL	Black Trim, Black Baffle

Product specifications subject to change without notice.



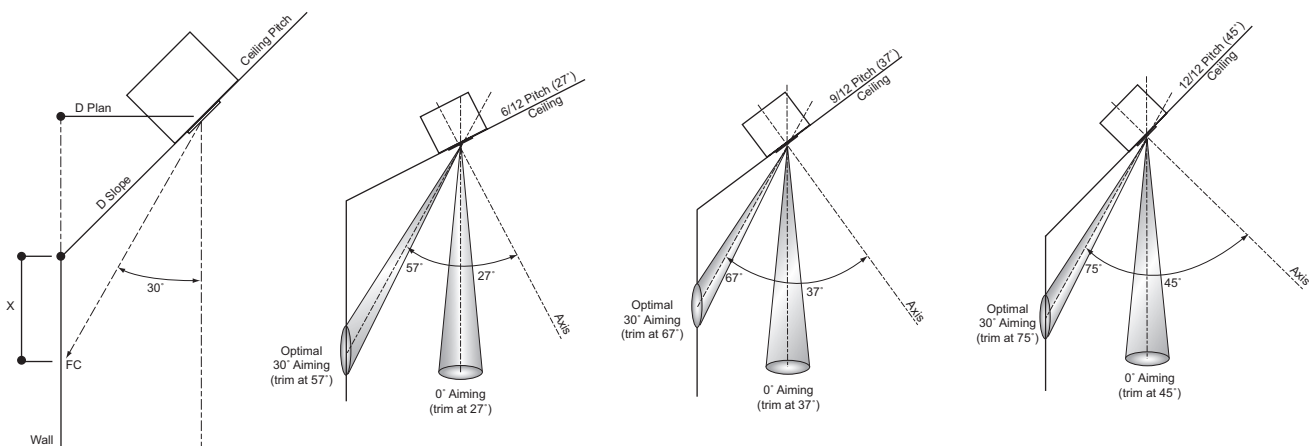
RECESSED ADJUSTABLE MIRRORED SUPER ADJUSTABLE

Non-IC Rated 20W, 39W CMH MR16
TC943M, 4349N TRIM

Ceiling Pitch:			12/12			12/12			12/12			12/12		
Tilt of Trim:			75°			75°			75°			75°		
Lamp:			GE CMH20MR16/930/SP			GE CMH39MR16/930/SP			GE CMH20MR16/930/FL			GE CMH39MR16/930/FL		
Measured Beam Spread:			15.4°			15.4°			20.5°			20.5°		
Measured CBCP:			3,327			7,311			2,256			4,959		
X	D Plan	D Slope	FC	L	W	FC	L	W	FC	L	W	FC	L	W
1'6"	2'1"	2'11"	99	2.3	1.1	217	2.3	1.1	67	3.3	1.5	148	3.3	1.5
2'0"	2'9"	3'10"	56	3.1	1.5	123	3.1	1.5	38	4.4	2.0	83	4.4	2.0
2'6"	3'5"	4'10"	36	3.9	1.8	78	3.9	1.8	24	5.5	2.5	53	5.5	2.5
3'0"	4'1"	5'10"	25	4.7	2.2	54	4.7	2.2	17	6.6	3.0	37	6.6	3.0

Ceiling Pitch:			9/12			9/12			9/12			9/12		
Tilt of Trim:			67°			67°			67°			67°		
Lamp:			GE CMH20MR16/930/SP			GE CMH39MR16/930/SP			GE CMH20MR16/930/FL			GE CMH39MR16/930/FL		
Measured Beam Spread:			15.4°			15.4°			20.5°			20.5°		
Measured CBCP:			3,327			7,311			2,256			4,959		
X	D Plan	D Slope	FC	L	W	FC	L	W	FC	L	W	FC	L	W
2'0"	2'1"	2'7"	100	2.3	1.1	220	2.3	1.1	68	3.3	1.5	149	3.3	1.5
2'6"	2'7"	3'2"	64	2.9	1.4	141	2.9	1.4	43	4.1	1.8	95	4.1	1.8
3'0"	3'1"	3'10"	45	3.5	1.6	98	3.5	1.6	30	4.9	2.2	67	4.9	2.2
4'0"	4'1"	5'1"	25	4.7	2.2	55	4.7	2.2	17	6.5	2.9	37	6.5	2.9

Ceiling Pitch:			6/12			6/12			6/12			6/12		
Tilt of Trim:			57°			57°			57°			57°		
Lamp:			GE CMH20MR16/930/SP			GE CMH39MR16/930/SP			GE CMH20MR16/930/FL			GE CMH39MR16/930/FL		
Measured Beam Spread:			15.4°			15.4°			20.5°			20.5°		
Measured CBCP:			3,327			7,311			2,256			4,959		
X	D Plan	D Slope	FC	L	W	FC	L	W	FC	L	W	FC	L	W
2'6"	2'0"	2'3"	101	2.3	1.1	222	2.3	1.1	68	3.3	1.5	150	3.3	1.5
3'0"	2'5"	2'9"	70	2.8	1.3	155	2.8	1.3	48	3.9	1.8	105	3.9	1.8
4'0"	3'3"	3'8"	39	3.7	1.8	87	3.7	1.8	27	5.2	2.4	59	5.2	2.4
5'0"	4'1"	4'7"	25	4.6	2.2	55	4.6	2.2	17	6.5	2.9	38	6.5	2.9



Notes & Definitions:

The following diagrams represent the aiming of the trim for an effective 30° tilt angle from nadir in ceilings of different pitches; e.g. 12/12 pitch (or 45°) ceiling.

X = Distance down wall from corner to center of beam location

D Plan = Distance in plan view from wall

D Slope = Distance as actually measured along slope of ceiling from corner

FC = Maximum footcandles on wall within effective visual beam (EV_B = 50% of max. FC)

L = Length of effective visual beam

W = Width of effective visual beam

