



PRODUCT DESCRIPTION

Recessed adjustable MR16 luminaire with 1 1/4" square pinhole featuring stippled uniformity lens on the aperture. Fixture utilizes precision geared hot-aiming and has 50° visual cutoff to lamp and lamp image. Sealed Air-Loc housing eliminates leak-paths to ensure maximum energy savings and controls plenum sound transmission. IC rated housing for use in direct contact with insulation.

PRODUCT SPECIFICATIONS

Reflector .040" aluminum angle-cut reflector in black Alzak finish shields housing interior.

Trims Style Die cast Self Flanged and Flush Mount trims utilize precision wound double torsion springs for tight, secure fit to ceiling

- For flush mount installations in drywall ceilings use the FMSQ4 flush mount adapter
- For flush mount installations in wood, stone, or tile ceilings the FMSQ4-SC*** must be used (specify ceiling thickness and adapter finish).

Lens Lampholder accommodates up to three (3) 2" captive accessory lenses

- Supplied with stippled uniformity lens.

Socket Ceramic bi-pin socket with double blade nickel alloy contacts

- Quick disconnect for simplified maintenance.

Lamp One 50W MR16 lamp.

Adjustability Acu-Aim™ precision geared hot-aiming achieves 370° rotation, 45° tilt

- Optimized center lamp beam optics translates lamp forward as it is aimed off nadir, insuring maximum light and low brightness
- Black aiming mechanism with shield prevents visibility into fixture and preserves dark aperture
- Shield hinges out of way to facilitate maintenance.

Transformer 120V High efficiency (>90%) dual tap magnetic, toroidal transformer has a boost tap to compensate for dimmer losses, improving color temperature and lumen output

- Potted to eliminate noise and vibration
- High efficiency (>94%), high power factor electronic transformer also available.

Dimming May be dimmed using dimmers specifically designed for low voltage magnetic or electronic transformers; consult factory or dimmer manufacturer for additional information.

Codes/Labels UL and cUL listed for direct contact with insulation, through branch wiring, wet locations

- Meets energy code Air Leakage requirements per ASTM E283
- Product thermally protected against improper use of lamps
- Union made.

Proprietary Bar Hanger System Patent pending Pro-VI™, telescoping bar hanger system with locking set screws, permits quick placement of housing within 24" O.C. joists or suspended ceilings

- Robust bar eliminates flexing regardless of fixture position
- Integral T-bar notch with locking tabs secures housing to suspended ceiling grid
- Captive bugle-headed ring shank nail for quick one-step installation
- Bar Hanger foot aligns to bottom of construction joist and breaks away for use in suspended ceilings.

Junction Box Rated for 4 No. 12 AWG 90° C through branch circuit conductors and includes (6) 1/2", (1) 3/4", and (4) Non-metallic sheathed cable knock-outs

- Push-In electrical connectors for field connections.

Housing/Mounting Frame Steel plaster frame and aluminum housing painted black for visually dark interior

- V-Notch in plaster frame aids fixture alignment during installation
- Patent Pending Tru-Line™ Adjustment Mechanism featuring +/- 1/2" translation and +/- 45° aperture rotation aids fixture alignment after installation, prior to drywall.

Ceiling Thickness 1/2" – 7/8" ceiling standard

- For thicker ceilings, order CTA4SQ-125 (7/8"-1 1/4"), CTA4SQ-163 (1 1/4"-1 5/8") or CTA4SQ-200 (1 5/8" – 2")
- CTA4SQ not required for wood, stone, or tile flush mount applications.

RECESSED ADJUSTABLE

1-1/4" LENSED
PINHOLE APERTURE

IC Rated, 50W MR16



IC43SQ, 4331SQ TRIM

Project: _____

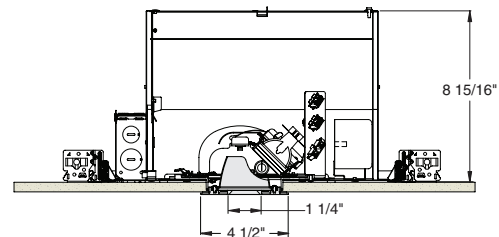
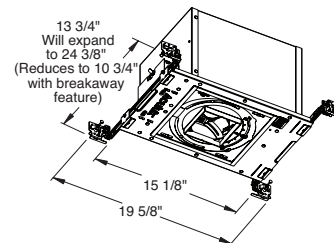
Fixture Type: _____

Location: _____

Contact/Phone: _____



DIMENSIONS



4 1/8" CEILING CUTOUT
(REFER TO INSTRUCTION SHEET FOR
FLUSH MOUNT CEILING CUTOUT)

RECESSED ADJUSTABLE

1-1/4" LENSED PINHOLE APERTURE

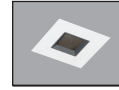
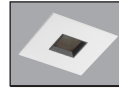
IC Rated, 50W MR16

IC43SQ, 4331SQ TRIM

Housings

Catalog #	Description
IC43SQ	Low Voltage Adjustable Recessed Magnetic Transformer, 120V
IC43SQ-E1	Low Voltage Adjustable Recessed Electronic Transformer, 120V

1 1/4" Lensed Adjustable Pinhole



Self Flanged	Flush Mount ¹	Description
4331SQ-WH	4331SQ-WH-FM	White Trim
4331SQ-BL	4331SQ-BL-FM	Black Trim

¹Flush Mount trims must be used with Flush Mount Adapter, ordered separately.

Product specifications subject to change without notice.

Flush Mount Adapters

FMASQ4	Description
FMASQ4-SC100-WH	Wood, Stone, Tile, 1/2"-1" Thick Ceiling, Adapter, White
FMASQ4-SC100-BL	Wood, Stone, Tile, 1/2"-1" Thick Ceiling, Adapter, Black
FMASQ4-SC138-WH	Wood, Stone, Tile, 1"-1 3/8" Thick Ceiling, Adapter, White
FMASQ4-SC138-BL	Wood, Stone, Tile, 1"-1 3/8" Thick Ceiling, Adapter, Black
FMASQ4-SC175-WH	Wood, Stone, Tile, 1 3/8"-1 3/4" Thick Ceiling, Adapter, White
FMASQ4-SC175-BL	Wood, Stone, Tile, 1 3/8"-1 3/4" Thick Ceiling, Adapter, Black

Optical Accessories

Cat. #	Description	Cat. #	Description
T741	Med. Pink Color Filter	T7405	Yellow Dichroic Lens
T742	Warm Red Color Filter	T7406	Magenta Dichroic Lens
T743	Daylight Blue Color Filter	T7411	Blue Green Dichroic Lens
T744	Med. Blue Color Filter	T7416	Daylight Blue Correction Lens
T745	Med. Amber Color Filter	T7420	Diffuse Spread Lens
T746	Med. Green Color Filter	T7422	UV Filter Lens
T7401	Red Dichroic Lens	T7477	Prismatic Lens
T7403	Med. Green Dichroic Lens	T7478	Linear Spread Lens
T7404	Med. Blue Dichroic Lens	T7459BL	Hexcell Louver

Misc. Accessories

CTA45Q-125	1 1/4" Thick Ceiling Adapter
CTA45Q-163	1 5/8" Thick Ceiling Adapter
CTA45Q-200	2" Thick Ceiling Adapter

To order, specify catalog number.



RECESSED ADJUSTABLE

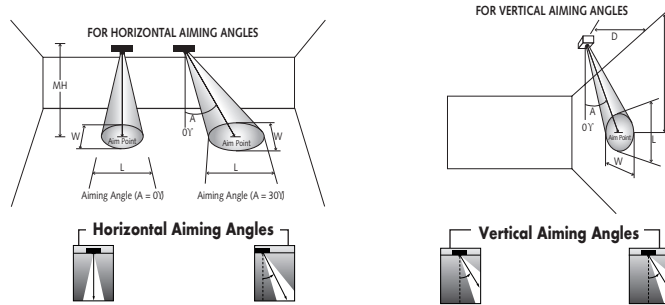
1-1/4" LENSED PINHOLE APERTURE

IC Rated, 50W MR16

IC43SQ, 4331SQ TRIM

CBCP • Centerbeam candlepower
FC • Footcandles at beam center (aim point)

In vertical aiming applications, aim point (X) is determined by dividing distance from the wall (D) by the tangent of the desired aim angle (A) (0.5774 for 30°, 1.0 for 45°).



Lamp	Beam Type	Beam Spread°	Rated Life	CBCP	0°				30°			30°				45°				
					MH	FC	L	W	FC	L	W	D	FC	X	L	W	FC	X	L	W
35W MR16 Halogen	NSP	10°	4000	9100	6	253	1.0	1.0	164	1.4	1.2	3	126	5.2	2.1	1.0	357	3.0	1.1	0.7
					8	142	1.4	1.4	92	1.9	1.6	4	71	6.9	2.9	1.4	201	4.0	1.4	1.0
					10	91	1.7	1.7	59	2.3	2.0	5	46	8.7	3.6	1.7	129	5.0	1.8	1.2
					12	63	2.1	2.1	41	2.8	2.4	6	32	10.4	4.3	2.1	89	6.0	2.1	1.5
	FL	35°	4000	1500	4	94	2.5	2.5	61	3.5	2.9	2	47	3.5	7.2	2.5	133	2.0	2.8	1.8
					6	42	3.8	3.8	27	5.2	4.4	3	21	5.2	10.8	3.8	59	3.0	4.2	2.7
					8	23	5.0	5.0	15	7.0	5.8	4	12	6.9	14.4	5.0	33	4.0	5.6	3.6
					10	15	6.3	6.3	10	8.7	7.3	5	8	8.7	18.0	6.3	21	5.0	7.0	4.5
	NFL	25°	5000	4400	4	275	1.8	1.8	179	2.4	2.0	2	138	3.5	4.2	1.8	389	2.0	1.9	1.3
					6	122	2.7	2.7	79	3.6	3.1	3	61	5.2	6.2	2.7	173	3.0	2.8	1.9
					8	69	3.5	3.5	45	4.8	4.1	4	34	6.9	8.3	3.5	97	4.0	3.7	2.5
					10	44	4.4	4.4	29	6.0	5.1	5	22	8.7	10.4	4.4	62	5.0	4.7	3.1
FL	35°	5000	2200	3	244	1.9	1.9	159	2.6	2.2	2	69	3.5	7.2	2.5	194	2.0	2.8	1.8	
				4	138	2.5	2.5	89	3.5	2.9	3	31	5.2	10.8	3.8	86	3.0	4.2	2.7	
				6	61	3.8	3.8	40	5.2	4.4	4	17	6.9	14.4	5.0	49	4.0	5.6	3.6	
				8	34	5.0	5.0	22	7.0	5.8	5	11	8.7	18.0	6.3	31	5.0	7.0	4.5	
NFL	25°	5000	2200	4	222	6.3	6.3	14	8.7	7.3	6	8	10.4	21.6	7.6	22	6.0	8.4	5.4	
				6	104	12.5	5.3	43	6.0	5.6	3.8									
				8	50	17.0	4.4	25	8.0	7.0	4.5									
				10	31	21.6	7.6	15	10.4	12.5	5.3									
42W MR16 Halogen	VNSP	9°	3500	12300	8	192	1.3	1.3	125	1.7	1.5	4	96	6.9	2.6	1.3	272	4.0	1.3	0.9
					10	123	1.6	1.6	80	2.1	1.8	5	62	8.7	3.2	1.6	174	5.0	1.6	1.1
					12	85	1.9	1.9	55	2.5	2.2	6	43	10.4	3.8	1.9	121	6.0	1.9	1.3
					14	63	2.2	2.2	41	2.9	2.5	7	31	12.1	4.5	2.2	89	7.0	2.2	1.6
	NFL	25°	6000	3200	4	200	1.8	1.8	130	2.4	2.0	2	100	3.5	4.2	1.8	283	2.0	1.9	1.3
					6	89	2.7	2.7	58	3.6	3.1	3	44	5.2	6.2	2.7	126	3.0	2.8	1.9
					8	50	3.5	3.5	32	4.8	4.1	4	25	6.9	8.3	3.5	71	4.0	3.7	2.5
					10	32	4.4	4.4	21	6.0	5.1	5	16	8.7	10.4	4.4	45	5.0	4.7	3.1
	FL	40°	6000	1700	3	189	2.2	2.2	123	3.0	2.5	2	53	3.5	9.7	2.9	150	2.0	3.4	2.1
					4	106	2.9	2.9	69	4.1	3.4	3	24	5.2	14.5	4.4	67	3.0	5.0	3.1
					6	47	4.4	4.4	31	6.1	5.0	4	13	6.9	19.3	5.8	38	4.0	6.7	4.1
					8	27	5.8	5.8	17	8.1	6.7	5	9	8.7	24.2	7.3	24	5.0	8.4	5.1
NFL	25°	6000	1700	4	106	2.9	2.9	69	4.1	3.4	3	24	5.2	14.5	4.4	67	3.0	5.0	3.1	
				6	47	4.4	4.4	31	6.1	5.0	4	13	6.9	19.3	5.8	38	4.0	6.7	4.1	
				8	27	5.8	5.8	17	8.1	6.7	5	9	8.7	24.2	7.3	24	5.0	8.4	5.1	
				10	17	7.3	7.3	11	10.2	8.4	6	6	10.4	**	8.7	17	6.0	10.1	6.2	

The beam spread in degrees and the beam "L" and "W" in the following tables are computed at 50% of centerbeam candlepower and represent areas of "effective illumination."

**Due to steep aiming angle, length of beam extends beyond 25'. Each angle is measured from 0° vertical.



1300 S. Wolf Road • Des Plaines, IL 60018 • Phone (847) 827-9880 • Fax (847) 827-2925
 220 Chrysler Drive • Brampton, Ontario • Canada L6S 6B6 • Phone (905) 792-7335 • Fax (905) 792-0064
 Visit us at www.junolightinggroup.com