



**PRODUCT DESCRIPTION**

Recessed adjustable MR16 luminaire with mirrored adjustable trim featuring 15° to 75° hot-aiming. Precision engineered optics reduces aperture brightness and stray light on the ceiling. Sealed Air-Loc housing eliminates leak-paths to ensure maximum energy savings and controls plenum sound transmission. IC rated housing for use in direct contact with insulation.

**PRODUCT SPECIFICATIONS**

**Optics** Die-Cast body features a clear glass mirror for maximum light output and precise beam control • Trims, available in white or black finish, feature a black baffle for low aperture brightness and to reduce stray light on the ceiling.

**Trims Style** Trims utilize torsion spring retention for tight, secure fit to ceiling • Trim ring features beveled knife edge for clean ceiling interface.

**Lens** Lampholder accommodates up to three (3) 2" captive accessory lenses • Supplied with stippled clear uniformity lens.

**Socket** Ceramic bi-pin socket with double blade nickel alloy contacts • Quick disconnect for simplified maintenance.

**Lamp** One 50W MR16 lamp.

**Adjustability** Acu-Aim™ precision geared aiming achieves 370° rotation while the trim features 15° to 75° tilt • Lamp aiming lock on trim allows the fixture to be relamped without disturbing the aiming.

**Transformer** 120V High efficiency (>90%) dual tap magnetic, toroidal transformer has a boost tap to compensate for dimmer losses, improving color temperature and lumen output • Potted to eliminate noise and vibration • High efficiency (>94%), high power factor electronic transformer also available.

**Dimming** May be dimmed using dimmers specifically designed for low voltage magnetic or electronic transformers; consult factory or dimmer manufacturer for additional information.

**Codes/Labels** UL and cUL listed for direct contact with insulation, through-branch wiring, damp locations • Meets energy code Air Leakage requirements per ASTM E283 • Product thermally protected • Union made.

**Proprietary Bar Hanger System** Patent pending Pro-VI™, telescoping bar hanger system with locking set screws, permits quick placement of housing within 24" O.C. joists or suspended ceilings • Robust bar eliminates flexing regardless of fixture position • Integral T-bar notch with locking tabs secures housing to suspended ceiling grid • Captive bugle-headed ring shank nail for quick one-step installation • Bar Hanger foot aligns to bottom of construction joist and breaks away for use in suspended ceilings.

**Junction Box** Rated for 4 No. 12 AWG 90° C through branch circuit conductors and includes (6) ½", (1) ¾", and (4) Non-metallic sheathed cable knock-outs • Push-in electrical connectors for field connections.

**RECESSED ADJUSTABLE  
MIRRORED SUPER ADJUSTABLE  
IC Rated, 50W MR16  
IC43N, 4349N TRIM**

Project: \_\_\_\_\_

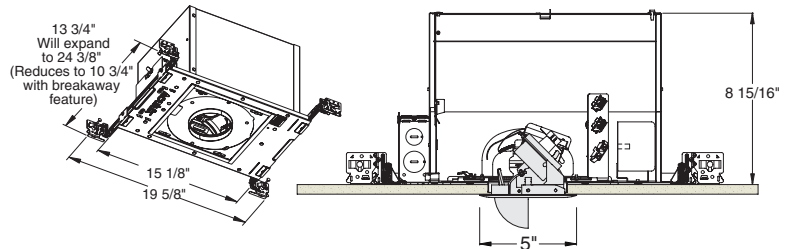
Fixture Type: \_\_\_\_\_

Location: \_\_\_\_\_

Contact/Phone: \_\_\_\_\_



**DIMENSIONS**



4 1/4" CEILING CUTOUT

**Housing/Mounting Frame** Steel plaster frame and aluminum housing painted black for visually dark interior • V-Notch in plaster frame aids fixture alignment during installation • Patent pending Tru-Line™ Adjustment Mechanism featuring +/- ½" translation aids fixture alignment after installation, prior to drywall.

**Ceiling Thickness** 1/2" – 7/8" ceiling standard • For thicker ceilings, order CTA4N-125 (7/8"-1 1/4"), CTA4N-163 (1 1/4"-1 5/8") or CTA4N-200 (1 5/8" – 2").

**Housings**

Catalog #	Description
IC43N	Low Voltage Adj. Recessed Magnetic Transformer, 120V
IC43N-E1	Low Voltage Adj. Recessed Electronic Transformer, 120V

**Accessories**

Cat. #	Description	Cat. #	Description
T741	Med. Pink Color Filter	T7411	Blue Green Dichroic Lens
T742	Warm Red Color Filter	T7416	Daylight Blue Correction Lens
T743	Daylight Blue Color Filter	T7420	Diffuse Spread Lens
T744	Med. Blue Color Filter	T7422	UV Filter Lens
T745	Med. Amber Color Filter	T7477	Prismatic Lens
T746	Med. Green Color Filter	T7478	Linear Spread Lens
T7401	Red Dichroic Lens	T7459BL	Hexcell Louver
T7403	Med. Green Dichroic Lens	CTA4N-125	1 1/4" Thick Ceiling Adapter
T7404	Med. Blue Dichroic Lens	CTA4N-163	1 5/8" Thick Ceiling Adapter
T7405	Yellow Dichroic Lens	CTA4N-200	2" Thick Ceiling Adapter
T7406	Magenta Dichroic Lens		To order, specify catalog number.

**Super Adjustable**



Trim Ring	Description
4349NB-WH	White Trim, Black Baffle
4349NB-BL	Black Trim, Black Baffle

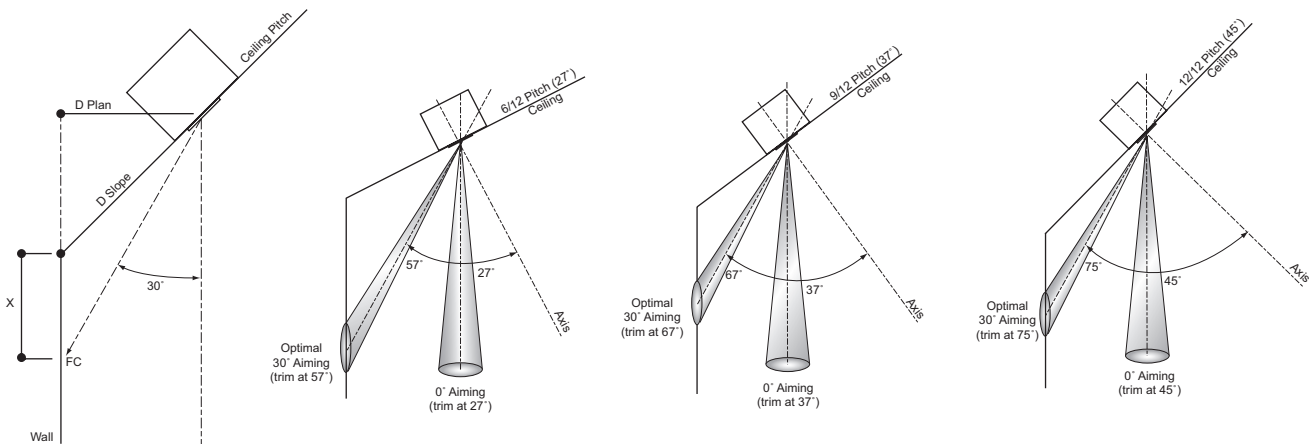
# RECESSED ADJUSTABLE MIRRORED SUPER ADJUSTABLE

IC Rated, 50W MR16  
**IC43N, 4349N TRIM**

Ceiling Pitch: Tilt of Trim: Lamp: Measured Beam Spread: Measured CBCP:	12/12 75° OSI 37MR16/IR/SPI0/C 11.7° 5,078	12/12 75° GE Q50MR16C/NSPI5 12.4° 4,716	12/12 75° OSI 37MR16/IR/NFL25/C 21.1° 3,019	12/12 75° GE Q50MR16C/NFL25 28.7° 2,131
X    D Plan    D Slope	FC    L    W	FC    L    W	FC    L    W	FC    L    W
1'6"    2'1"    2'11"	151    1.7    0.8	140    1.8    0.9	90    3.4    1.5	63    5.2    2.1
2'0"    2'9"    3'10"	85    2.3    1.1	79    2.5    1.2	51    4.5    2.0	36    7.0    2.8
2'6"    3'5"    4'10"	54    2.9    1.4	50    3.1    1.5	32    5.7    2.5	23    8.7    3.5
3'0"    4'1"    5'10"	38    3.5    1.7	35    3.7    1.8	22    6.8    3.1	16    10.4    4.2

Ceiling Pitch: Tilt of Trim: Lamp: Measured Beam Spread: Measured CBCP:	9/12 67° OSI 37MR16/IR/SPI0/C 11.7° 5,078	9/12 67° GE Q50MR16C/NSPI5 12.4° 4,716	9/12 67° OSI 37MR16/IR/NFL25/C 21.1° 3,019	9/12 67° GE Q50MR16C/NFL25 28.7° 2,131
X    D Plan    D Slope	FC    L    W	FC    L    W	FC    L    W	FC    L    W
2'0"    2'1"    2'7"	153    1.7    0.8	142    1.8    0.9	91    3.4    1.5	64    5.2    2.1
2'6"    2'7"    3'2"	98    2.2    1.0	91    2.3    1.1	58    4.2    1.9	41    6.5    2.6
3'0"    3'1"    3'10"	68    2.6    1.2	63    2.7    1.3	41    5.1    2.3	29    7.8    3.1
4'0"    4'1"    5'1"	38    3.4    1.7	36    3.7    1.8	23    6.8    3.0	16    10.4    4.2

Ceiling Pitch: Tilt of Trim: Lamp: Measured Beam Spread: Measured CBCP:	6/12 57° OSI 37MR16/IR/SPI0/C 11.7° 5,078	6/12 57° GE Q50MR16C/NSPI5 12.4° 4,716	6/12 57° OSI 37MR16/IR/NFL25/C 21.1° 3,019	6/12 57° GE Q50MR16C/NFL25 28.7° 2,131
X    D Plan    D Slope	FC    L    W	FC    L    W	FC    L    W	FC    L    W
2'6"    2'0"    2'3"	154    1.7    0.8	143    1.8    0.9	92    3.4    1.5	65    5.2    2.1
3'0"    2'5"    2'9"	107    2.1    1.0	100    2.2    1.1	64    4.0    1.8	45    6.2    2.5
4'0"    3'3"    3'8"	60    2.8    1.3	56    2.9    1.4	36    5.4    2.4	25    8.3    3.3
5'0"    4'1"    4'7"	39    3.4    1.7	36    3.7    1.8	23    6.8    3.0	16    10.3    4.2



**Notes & Definitions:**

The following diagrams represent the aiming of the trim for an effective 30° tilt angle from nadir in ceilings of different pitches; e.g. 12/12 pitch (or 45°) ceiling.

**X** = Distance down wall from corner to center of beam location

**D Plan** = Distance in plan view from wall

**D Slope** = Distance as actually measured along slope of ceiling from corner

**FC** = Maximum footcandles on wall within effective visual beam (EVB = 50% of max. FC)

**L** = Length of effective visual beam

**W** = Width of effective visual beam

