



RECESSED WALL WASH

3-1/4" LENSED WALL WASH

Non-IC Rated, 50W PAR20 or 75W PAR16

TC13N, 439N TRIM

PRODUCT DESCRIPTION

Recessed adjustable PAR20/PAR16 luminaire with 3/4" spread lens wall wash aperture and precision geared hot-aiming. Fixture has 50° visual cutoff to lamp and lamp image. Sealed Air-Loc housing ensures maximum energy savings and controls plenum sound transmission. Low profile non-IC housing is for use in non-insulated areas, or where insulation is spaced at least 3" from housing.

PRODUCT SPECIFICATIONS

Reflector .040" aluminum angle-cut reflector provides 50° lamp and lamp image cut-off • Specular clear kicker reflector directs light toward wall surface • Reflector finishes include White Paint and Clear, Gold, Black, Haze or Wheat Haze Alzak.

Trims Style Trim Ring, Self Flanged and Flush Mount reflectors utilize torsion spring retention for tight, secure fit to ceiling • Trim ring features beveled knife edge for clean ceiling interface • Self Flanged reflectors with polished or optional white painted flange • For flush mount installations in drywall ceilings use the FMA4 flush mount adapter • For flush mount installations in wood, stone, or tile ceilings the FMA4-SC*** must be used (specify ceiling thickness and adapter finish).

Socket Medium base porcelain socket with nickel plated copper screw shell.

Lamp One 50W PAR20 or 75W PAR16 lamp.

Codes/Labels UL and cUL listed for through branch wiring, wet locations • Meets energy code Air Leakage requirements per ASTM E283 • Product thermally protected • Union made.

Patented (US Patent 8,038,113) Pro-VI™ Bar Hanger System With locking set screws, permits quick placement of housing within 24" O.C. joists or suspended ceilings • Robust bar eliminates flexing regardless of fixture position • Integral T-bar notch with locking tabs secures housing to suspended ceiling grid • Captive bugle-headed ring shank nail for quick one-step installation • Bar Hanger foot aligns to bottom of construction joist and breaks away for use in suspended ceilings.

Junction Box Rated for 8 No. 12 AWG 90° C through branch circuit conductors and includes (5) 1/2", (1) 3/4", and (4) Non-metallic sheathed cable knock-outs • Push-in electrical connectors for field connections.

Housing/Mounting Frame Black steel plaster frame and housing painted for visually dark interior • V-Notch in plaster frame aids fixture alignment during installation • Patent pending Tru-Line™ Adjustment Mechanism featuring +/- 1/2" translation aids fixture alignment after installation, prior to drywall.

Ceiling Thickness 1/2" – 7/8" ceiling standard • For thicker ceilings, order CTA4N-125 (7/8"-1 1/4"), CTA4N-163 (1 1/4"-1 5/8") or CTA4N-200 (1 5/8"-2") • CTA4N not required for wood, stone, or tile flush mount applications.

Project: _____

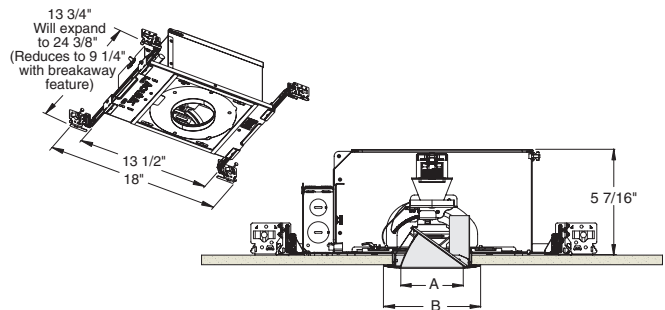
Fixture Type: _____

Location: _____

Contact/Phone: _____



DIMENSIONS



4 1/4" CEILING CUTOUT
(REFER TO INSTRUCTION SHEET FOR FLUSH MOUNT CEILING CUTOUT)

	A	B
Trim Ring	3 1/4"	5"
Self Flanged	3 3/8"	4 5/8"
Flush Mount	3 3/8"	3 7/8"

Ordering Information

Housing, trim and accessories each ordered separately

Example: **TC13N**

Housing	Options
TC13N	CP Chicago Plenum

Example: **439NC-WH**

Trim/Description

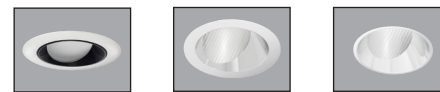
Flush Mount Adapters

FMA4	Drywall Ceiling Adapter
FMA4-SC087-WH	Wood, Stone, Tile, 1/2"-7/8" Thick Ceiling, Adapter, White
FMA4-SC087-BL	Wood, Stone, Tile, 1/2"-7/8" Thick Ceiling, Adapter, Black
FMA4-SC125-WH	Wood, Stone, Tile, 7/8"-1 1/4" Thick Ceiling, Adapter, White
FMA4-SC125-BL	Wood, Stone, Tile, 7/8"-1 1/4" Thick Ceiling, Adapter, Black
FMA4-SC163-WH	Wood, Stone, Tile, 1 1/4"-1 5/8" Thick Ceiling, Adapter, White
FMA4-SC163-BL	Wood, Stone, Tile, 1 1/4"-1 5/8" Thick Ceiling, Adapter, Black

Misc. Accessories

CTA4N-125	1 1/4" Thick Ceiling Adapter
CTA4N-163	1 5/8" Thick Ceiling Adapter
CTA4N-200	2" Thick Ceiling Adapter

To order, specify catalog number.



Trim Ring ¹	Self Flanged ²	Flush Mount ³	Description
439NB-WH	439NB-SF	439NB-FM	Black Cone
439NC-WH	439NC-SF	439NC-FM	Clear Cone
439NG-WH	439NG-SF	439NG-FM	Gold Cone
439NW-WH	439NW-SF	439NW-FM	White Painted Cone
439NHZ-SC	-	-	Haze Cone
439NHZ-WH	439NHZ-SF	439NHZ-FM	Haze Cone, White Ring
439NWHZ-ABZ	-	-	Wheat Haze Cone
439NWHZ-WH	439NWHZ-SF	439NWHZ-FM	Wheat Haze Cone, White Ring

¹Trim Ring Finish: ABZ - Classic Aged Bronze, SC - Satin Chrome, WH - White.

²For self flanged reflector with optional white painted flange, replace "-SF" suffix with "-SFWH".

³Flush Mount trims must be used with Flush Mount Adapter, ordered separately.

Product specifications subject to change without notice.

PHOTOMETRIC REPORT

Catalog Number: TC13N (439NC-WH)

Test Number: PT12093001

Total Luminaire Efficiency: 49.1%

Luminaire Spacing Criteria: 0.68

Luminaire: Clear Alzak® finish, lensed wall wash.

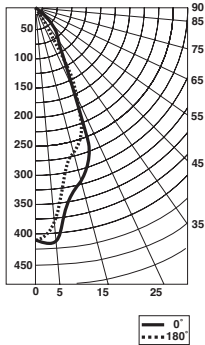
Lamps: One 50PAR20/HAL/NFL30/RP

Luminance Data

Ang in Deg	Footlamberts	Candela/M ²
45	961	3294
55	0	0
65	0	0
75	0	0
85	0	0

Zonal Lumen Summary

Zone	Lumens	%Lamp	%Fixture
0-30°	188	34.1	69.5
0-40°	228	41.5	84.5
0-60°	263	47.8	97.4
0-90°	270	49.1	100.0
90-180°	0	0	0
0-180°	270	49.1	100.0



Candlepower Distribution (Candelas)

Degrees Vertical	0° Wall Wash	180° Downlight
0°	407	407
5°	404	358
15°	315	238
25°	182	106
35°	84	51
45°	55	14
55°	26	0
65°	16	0
75°	7	0
85°	0	0

Footcandles on Wall from Multiple Fixtures

Fixture Distance to Wall	18"						24"					
	18"		24"		18"		24"		18"		24"	
Fixture Centers (spacing)	18"	24"	18"	24"	18"	24"	18"	24"	18"	24"	18"	24"
1'	9	8	9	8	6	8	5	4	4	4	3	4
2'	12	11	12	10	8	10	9	9	9	7	7	7
3'	11	11	11	9	8	9	9	9	9	7	6	7
4'	10	10	10	8	8	8	8	9	8	6	6	6
5'	8	8	8	6	6	6	8	8	8	6	6	6
6'	6	6	6	5	5	5	7	7	7	5	5	5
7'	5	5	5	4	4	4	6	6	6	4	4	4
8'	4	4	4	3	3	3	5	5	5	4	4	4
9'	3	3	3	3	3	3	4	4	4	3	3	3

*Multipliers: Gold - 0.9, Black - 0.7, Haze - 0.95

*Note: Multipliers are provided for estimating purposes only.
Use IES photometric files for precise photometric information.

PHOTOMETRIC REPORT

Catalog Number: TC13N (439NC-WH)

Test Number: PTO1100407

Total Luminaire Efficiency: 51.6%

Luminaire Spacing Criteria: 0.47

Luminaire: Clear Alzak® finish, lensed wall wash.

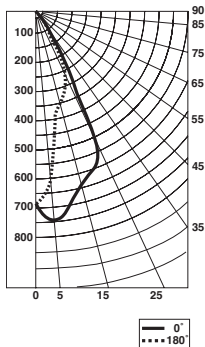
Lamps: One 75PAR16/HAL/NFL30

Luminance Data

Ang in Deg	Footlamberts	Candela/M ²
45	1401	4802
55	0	0
65	0	0
75	0	0
85	0	0

Zonal Lumen Summary

Zone	Lumens	%Lamp	%Fixture
0-30°	328	36.5	70.6
0-40°	400	44.4	86.1
0-60°	454	50.4	97.7
0-90°	465	51.6	100.0
90-180°	0	0	0
0-180°	465	51.6	100.0



Candlepower Distribution (Candelas)

Degrees Vertical	0° Wall Wash	180° Downlight
0°	667	667
5°	732	571
15°	633	317
25°	399	160
35°	169	72
45°	98	21
55°	46	0
65°	24	0
75°	11	0
85°	1	0

Footcandles on Wall from Multiple Fixtures

Fixture Distance to Wall	18"						24"					
	18"		24"		18"		24"		18"		24"	
Fixture Centers (spacing)	18"	24"	18"	24"	18"	24"	18"	24"	18"	24"	18"	24"
1'	16	14	16	13	9	13	8	7	8	7	5	7
2'	22	20	22	18	15	18	15	15	15	12	11	12
3'	24	24	24	19	16	19	17	16	17	13	12	13
4'	21	21	21	16	16	16	18	18	18	13	14	13
5'	16	16	16	12	12	12	17	16	17	12	13	12
6'	12	12	12	9	9	9	14	14	14	11	11	11
7'	9	10	9	7	7	7	12	12	12	8	9	8
8'	7	8	7	6	6	6	9	9	9	7	7	7
9'	6	6	6	5	5	5	8	8	8	6	6	6

*Multipliers: Gold - 0.9, Black - 0.7, Haze - 0.95

*Note: Multipliers are provided for estimating purposes only.
Use IES photometric files for precise photometric information.

