



RECESSED ADJUSTABLE 3-1/4" OPEN APERTURE Non-IC Rated, 50W PAR20 or 75W PAR16 TC13N, 438N TRIM

PRODUCT DESCRIPTION

Recessed adjustable PAR20/PAR16 luminaire with 3/4" angle-cut Alzak cone aperture and precision geared hot-aiming. Fixture has 50° visual cutoff to lamp and lamp image. Sealed Air-Loc housing ensures maximum energy savings and controls plenum sound transmission. Low profile non-IC housing is for use in non-insulated areas, or where insulation is spaced at least 3" from housing.

PRODUCT SPECIFICATIONS

Reflector .040" aluminum angle-cut reflector in clear, gold, black, haze, or wheat haze Alzak finish provides 50° lamp and lamp image cut-off.

Trims Style Trim Ring, Self Flanged and Flush Mount reflectors utilize torsion spring retention for tight, secure fit to ceiling • Trim ring features beveled knife edge for clean ceiling interface • Self Flanged reflectors with polished or optional white painted flange • For flush mount installations in drywall ceilings use the FMA4 flush mount adapter • For flush mount installations in wood, stone, or tile ceilings the FMA4-SC*** must be used (specify ceiling thickness and adapter finish).

Socket Medium base porcelain socket with nickel plated copper screw shell.

Lamp One 50W PAR20 or 75W PAR16 lamp.

Adjustability Acu-Aim™ precision geared hot-aiming achieves 370° rotation, 40° tilt • Optimized center lamp beam optics translates lamp forward as it is aimed off nadir, insuring maximum light and low brightness • Black aiming mechanism with shield prevents visibility into fixture and preserves dark aperture • Shield hinges out of way to facilitate maintenance.

Codes/Labels UL and cUL listed for through branch wiring, damp locations • Meets energy code Air Leakage requirements per ASTM E283 • Product thermally protected • Union made.

Patented (US Patent 8,038,113) Pro-VI™ Bar Hanger System With locking set screws, permits quick placement of housing within 24" O.C. joists or suspended ceilings • Robust bar eliminates flexing regardless of fixture position • Integral T-bar notch with locking tabs secures housing to suspended ceiling grid • Captive bugle-headed ring shank nail for quick one-step installation • Bar Hanger foot aligns to bottom of construction joist and breaks away for use in suspended ceilings.

Junction Box Rated for 8 No. 12 AWG 90° C through branch circuit conductors and includes (5) 1/2", (1) 3/4", and (4) Non-metallic sheathed cable knock-outs • Push-in electrical connectors for field connections.

Housing/Mounting Frame Black steel plaster frame and housing painted for visually dark interior • V-Notch in plaster frame aids fixture alignment during installation • Patent pending Tru-Line™ Adjustment Mechanism featuring +/- 1/2" translation aids fixture alignment after installation, prior to drywall.

Ceiling Thickness 1/2" - 7/8" ceiling standard • For thicker ceilings, order CTA4N-125 (7/8"-1 1/4"), CTA4N-163 (1 1/4"-1 5/8") or CTA4N-200 (1 5/8"-2") • CTA4N not required for wood, stone, or tile flush mount applications.

Project: _____

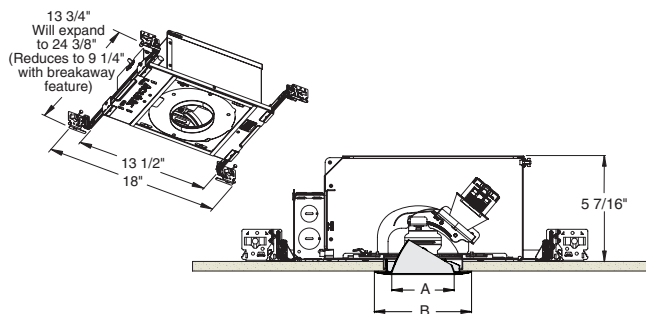
Fixture Type: _____

Location: _____

Contact/Phone: _____



DIMENSIONS



4 1/4" CEILING CUTOUT
(REFER TO INSTRUCTION SHEET FOR
FLUSH MOUNT CEILING CUTOUT)

| | A | B |
|--------------|--------|--------|
| Trim Ring | 3 1/4" | 5" |
| Self Flanged | 3 3/8" | 4 5/8" |
| Flush Mount | 3 3/8" | 3 7/8" |

Ordering Information

Housing, trim and accessories each ordered separately

Example: **TC13N**

| Housing | Options |
|---------|-------------------|
| TC13N | CP Chicago Plenum |

Example: **438NC-WH**

| Trim/Description |
|------------------|
| |

Flush Mount Adapters

| | |
|----------------------|--|
| FMA4 | Drywall Ceiling Adapter |
| FMA4-SC087-WH | Wood, Stone, Tile, 1/2"-7/8" Thick Ceiling, Adapter, White |
| FMA4-SC087-BL | Wood, Stone, Tile, 1/2"-7/8" Thick Ceiling, Adapter, Black |
| FMA4-SC125-WH | Wood, Stone, Tile, 7/8"-1 1/4" Thick Ceiling, Adapter, White |
| FMA4-SC125-BL | Wood, Stone, Tile, 7/8"-1 1/4" Thick Ceiling, Adapter, Black |
| FMA4-SC163-WH | Wood, Stone, Tile, 1 1/4"-1 5/8" Thick Ceiling, Adapter, White |
| FMA4-SC163-BL | Wood, Stone, Tile, 1 1/4"-1 5/8" Thick Ceiling, Adapter, Black |

Misc. Accessories

| | |
|------------------|------------------------------|
| CTA4N-125 | 1 1/4" Thick Ceiling Adapter |
| CTA4N-163 | 1 5/8" Thick Ceiling Adapter |
| CTA4N-200 | 2" Thick Ceiling Adapter |

To order, specify catalog number.

| Trim Ring ¹ | Self Flanged ² | Flush Mount ³ | Description |
|------------------------|---------------------------|--------------------------|-----------------------------|
| 438NB-WH | 438NB-SF | 438NB-FM | Black Cone |
| 438NB-ABZ | - | - | Black Cone |
| 438NB-SC | - | - | Black Cone |
| 438NC-WH | 438NC-SF | 438NC-FM | Clear Cone |
| 4386NG-WH | 4386NG-SF | 4386NG-FM | Gold Cone |
| 438NHZ-SC | - | - | Haze Cone |
| 438NHZ-WH | 438NHZ-SF | 438NHZ-FM | Haze Cone, White Ring |
| 438NWHZ-ABZ | - | - | Wheat Haze Cone |
| 438NWHZ-WH | 438NWHZ-SF | 438NWHZ-FM | Wheat Haze Cone, White Ring |

¹Trim Ring Finish: ABZ - Classic Aged Bronze, SC - Satin Chrome, WH - White.

²For self flanged reflector with optional white painted flange, replace "-SF" suffix with "-SFWH".

³Flush Mount trims must be used with Flush Mount Adapter, ordered separately.

Product specifications subject to change without notice.



RECESSED ADJUSTABLE

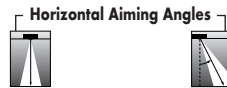
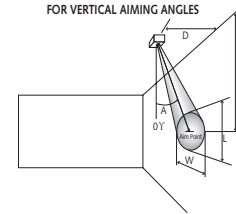
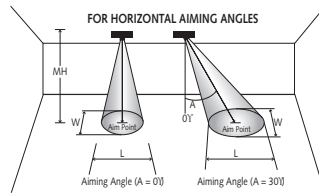
3-1/4" OPEN APERTURE

Non-IC Rated, 50W PAR20 or 75W PAR16

TC13N, 438N TRIM

CBCP • Centerbeam candlepower
FC • Footcandles at beam center (aim point)

In vertical aiming applications, aim point (X) is determined by dividing distance from the wall (D) by the tangent of the desired aim angle (A) (0.5774 for 30°, 1.0 for 45°).



| Lamp | Beam Type | Beam Spread° | Rated Life | CBCP | 0° | | | | 30° | | | 30° | | | 40° | | | | | |
|----------------------|-----------|--------------|------------|------|-----|-----|-----|-----|-----|-----|-----|-----|-----|-----|------|-----|-----|-----|-----|-----|
| | | | | | MH | FC | L | W | FC | L | W | D | FC | X | L | W | FC | X | L | W |
| 50W PAR20 Halogen | SP | 10° | 2500 | 4600 | 6 | 128 | 1.0 | 1.0 | 83 | 1.4 | 1.2 | 2 | 144 | 3.5 | 5.5 | 2.1 | 305 | 2.4 | 0.9 | 0.5 |
| | | | | | 8 | 72 | 1.4 | 1.4 | 47 | 1.9 | 1.6 | 3 | 64 | 5.0 | 2.1 | 1.0 | 136 | 3.6 | 1.3 | 0.8 |
| | | | | | 10 | 46 | 1.7 | 1.7 | 30 | 2.3 | 2.0 | 4 | 36 | 6.9 | 2.9 | 1.4 | 76 | 4.8 | 1.7 | 1.1 |
| | | | | | 12 | 32 | 2.1 | 2.1 | 21 | 2.8 | 2.4 | 5 | 23 | 8.7 | 3.6 | 1.7 | 49 | 6.0 | 2.1 | 1.4 |
| | FL | 30° | 2500 | 1200 | 4 | 75 | 2.1 | 2.1 | 49 | 2.9 | 2.5 | 2 | 38 | 3.5 | 5.5 | 2.1 | 80 | 2.4 | 2.9 | 1.7 |
| | | | | | 5 | 48 | 2.7 | 2.7 | 31 | 3.7 | 3.1 | 3 | 17 | 5.2 | 8.2 | 3.2 | 35 | 3.6 | 4.3 | 2.5 |
| | | | | | 6 | 33 | 3.2 | 3.2 | 22 | 4.4 | 3.7 | 4 | 9 | 6.9 | 10.9 | 4.3 | 20 | 4.8 | 5.8 | 3.3 |
| | | | | | 7 | 25 | 3.8 | 3.8 | 16 | 5.1 | 4.3 | 5 | 6 | 8.7 | 13.7 | 5.4 | 13 | 6.0 | 7.2 | 4.2 |
| NFL | 27° | 2000 | 1400 | 3 | 156 | 1.4 | 1.4 | 101 | 2.0 | 1.7 | 1 | 175 | 1.7 | 2.3 | 1.0 | 372 | 1.2 | 1.4 | 0.8 | |
| | | | | 5 | 56 | 2.4 | 2.4 | 36 | 3.3 | 2.8 | 2 | 44 | 3.5 | 4.6 | 1.9 | 93 | 2.4 | 2.9 | 1.7 | |
| | | | | 7 | 29 | 3.4 | 3.4 | 19 | 4.6 | 3.9 | 3 | 19 | 5.2 | 7.0 | 2.9 | 41 | 3.6 | 4.3 | 2.5 | |
| | | | | 9 | 17 | 4.3 | 4.3 | 11 | 5.9 | 5.0 | 4 | 11 | 6.9 | 9.3 | 3.8 | 23 | 4.8 | 5.8 | 3.3 | |
| 60W PAR16 Halogen | NSP | 10° | 2000 | 5400 | 6 | 150 | 1.0 | 1.0 | 97 | 1.4 | 1.2 | 2 | 169 | 3.5 | 1.4 | 0.7 | 359 | 2.4 | 0.9 | 0.5 |
| | | | | | 8 | 84 | 1.4 | 1.4 | 55 | 1.9 | 1.6 | 3 | 75 | 5.2 | 2.1 | 1.0 | 159 | 3.6 | 1.3 | 0.8 |
| | | | | | 10 | 54 | 1.7 | 1.7 | 35 | 2.3 | 2.0 | 4 | 42 | 6.9 | 2.9 | 1.4 | 90 | 4.8 | 1.7 | 1.1 |
| | | | | | 12 | 38 | 2.1 | 2.1 | 24 | 2.8 | 2.4 | 5 | 27 | 8.7 | 3.6 | 1.7 | 57 | 6.0 | 2.1 | 1.4 |
| | NFL | 30° | 2000 | 1550 | 4 | 97 | 2.1 | 2.1 | 63 | 2.9 | 2.5 | 2 | 48 | 3.5 | 5.5 | 2.1 | 103 | 2.4 | 2.9 | 1.7 |
| | | | | | 6 | 43 | 3.2 | 3.2 | 28 | 4.4 | 3.7 | 3 | 22 | 5.2 | 8.2 | 3.2 | 46 | 3.6 | 4.3 | 2.5 |
| | | | | | 8 | 24 | 4.3 | 4.3 | 16 | 5.9 | 5.0 | 4 | 12 | 6.9 | 10.9 | 4.3 | 26 | 4.8 | 5.8 | 3.3 |
| | | | | | 10 | 16 | 5.4 | 5.4 | 10 | 7.3 | 6.2 | 5 | 8 | 8.7 | 13.7 | 5.4 | 16 | 6.0 | 7.2 | 4.2 |
| NFL | 27° | 2000 | 1400 | 3 | 156 | 1.4 | 1.4 | 101 | 2.0 | 1.7 | 1 | 175 | 1.7 | 2.3 | 1.0 | 372 | 1.2 | 1.4 | 0.8 | |
| | | | | 5 | 56 | 2.4 | 2.4 | 36 | 3.3 | 2.8 | 2 | 44 | 3.5 | 4.6 | 1.9 | 93 | 2.4 | 2.9 | 1.7 | |
| | | | | 7 | 29 | 3.4 | 3.4 | 19 | 4.6 | 3.9 | 3 | 19 | 5.2 | 7.0 | 2.9 | 41 | 3.6 | 4.3 | 2.5 | |
| | | | | 9 | 17 | 4.3 | 4.3 | 11 | 5.9 | 5.0 | 4 | 11 | 6.9 | 9.3 | 3.8 | 23 | 4.8 | 5.8 | 3.3 | |
| 75W PAR16 Halogen | NSP | 10° | 2000 | 7500 | 6 | 208 | 1.0 | 1.0 | 135 | 1.4 | 1.2 | 2 | 234 | 3.5 | 1.4 | 0.7 | 498 | 2.4 | 0.9 | 0.5 |
| | | | | | 8 | 117 | 1.4 | 1.4 | 76 | 1.9 | 1.6 | 3 | 104 | 5.2 | 2.1 | 1.0 | 221 | 3.6 | 1.3 | 0.8 |
| | | | | | 10 | 75 | 1.7 | 1.7 | 49 | 2.3 | 2.0 | 4 | 59 | 6.9 | 2.9 | 1.4 | 124 | 4.8 | 1.7 | 1.1 |
| | | | | | 12 | 52 | 2.1 | 2.1 | 34 | 2.8 | 2.4 | 5 | 38 | 8.7 | 3.6 | 1.7 | 80 | 6.0 | 2.1 | 1.4 |
| | NFL | 30° | 2000 | 1900 | 4 | 119 | 2.1 | 2.1 | 77 | 2.9 | 2.5 | 2 | 59 | 3.5 | 5.5 | 2.1 | 126 | 2.4 | 2.9 | 1.7 |
| | | | | | 6 | 53 | 3.2 | 3.2 | 34 | 4.4 | 3.7 | 3 | 26 | 5.2 | 8.2 | 3.2 | 56 | 3.6 | 4.3 | 2.5 |
| | | | | | 8 | 30 | 4.3 | 4.3 | 19 | 5.9 | 5.0 | 4 | 15 | 6.9 | 10.9 | 4.3 | 32 | 4.8 | 5.8 | 3.3 |
| | | | | | 10 | 19 | 5.4 | 5.4 | 12 | 7.3 | 6.2 | 5 | 10 | 8.7 | 13.7 | 5.4 | 20 | 6.0 | 7.2 | 4.2 |
| NFL | 27° | 2000 | 1400 | 3 | 156 | 1.4 | 1.4 | 101 | 2.0 | 1.7 | 1 | 175 | 1.7 | 2.3 | 1.0 | 372 | 1.2 | 1.4 | 0.8 | |
| | | | | 5 | 56 | 2.4 | 2.4 | 36 | 3.3 | 2.8 | 2 | 44 | 3.5 | 4.6 | 1.9 | 93 | 2.4 | 2.9 | 1.7 | |
| | | | | 7 | 29 | 3.4 | 3.4 | 19 | 4.6 | 3.9 | 3 | 19 | 5.2 | 7.0 | 2.9 | 41 | 3.6 | 4.3 | 2.5 | |
| | | | | 9 | 17 | 4.3 | 4.3 | 11 | 5.9 | 5.0 | 4 | 11 | 6.9 | 9.3 | 3.8 | 23 | 4.8 | 5.8 | 3.3 | |

The beam spread in degrees and the beam "L" and "W" in the following tables are computed at 50% of centerbeam candlepower and represent areas of "effective illumination."



1300 S. Wolf Road • Des Plaines, IL 60018 • Phone (847) 827-9880 • Fax (847) 827-2925
 220 Chrysler Drive • Brampton, Ontario • Canada L6S 6B6 • Phone (905) 792-7335 • Fax (905) 792-0064
 Visit us at www.junolightinggroup.com