



BLACK BODY DIMMING & TUNABLE WHITE 700/1000 LUMEN WALL WASH LED

3-1/4" SQUARE LENSED WALL WASH

**IC(9)43TSQ-439SQ, IC49TSQ-439SQ,
TC(9)49TSQ-439SQ**



Type	Cat. No.
_____	_____
Project: _____	
Notes: _____	

PRODUCT DESCRIPTION

Recessed lensed wall wash LED luminaire features both Black Body Dimming and Tunable White technology in a single fixture. In Black Body Dimming mode, the luminaire duplicates halogen dimming, creating a natural warm glow as the CCT shifts from 3000K to less than 1800K when dimmed. In Tunable White mode, the CCT can be adjusted anywhere along the Planckian locus from 2000K through 4350K independent of dimming. Aculux Black Body Dimming and Tunable White luminaires feature a sealed Air-Loc® housing and is available in both IC and Non-IC rated configurations.

PRODUCT SPECIFICATIONS

LED Light Engine With single dimmer connected, the light engine duplicates halogen, with the CCT shifting from 3000K at 100% to 1800K when dimmed to 1% • Connect a second dimmer to engage Tunable White mode, featuring independent dimming and CCT tuning from 2000K through 4350K • Superb color consistency within 2 SDCM of the Planckian locus over CCT range • Accurate color rendition with 90 CRI at 3000K, and 85 CRI/70 R9 throughout CCT range.

Dimming and CCT Control Black Body Dimming and CCT Tuning are compatible with most 0-10V protocol dimmers • IC rated housings are rated for 120-277V input • For Non-IC housings, specify 120V or 277V. Refer to installation instructions for detailed wiring schematics.

Modular Optics Field interchangeable optics available with 21° Very Narrow Flood, 27° Narrow Flood, or 36° Flood distributions • Patent pending auto-adjusting optic holder maximizes luminaire efficiency by maintaining optimal LED optic position relative to trim • Accommodates up to three (3) beam control lenses and/or filters.

Reflector .040" aluminum angle-cut reflector in clear, gold, black, haze, or wheat haze Alzak finish provides 50° lamp and lamp image cut-off • Specular clear kicker reflector directs light toward wall surface.

Trims Style Self Flanged and Flush Mount reflectors available • Flange is same finish as reflector unless optional painted white flange is specified • For flush mount installations in drywall ceilings use the FMASQ4 flush mount adapter • For flush mount installations in wood, stone, or tile ceilings the FMASQ4-SC*** must be used (specify ceiling thickness and adapter finish).

Life Rated for 50,000 hrs at 70% lumen maintenance.

Warranty 5 years from date of purchase on LED components • Standard Juno Lighting Group product guarantee terms and conditions apply.

Codes/Labels UL and cUL listed for through branch wiring, wet locations • Meets energy code Air Leakage requirements per ASTM E283 • Union made.

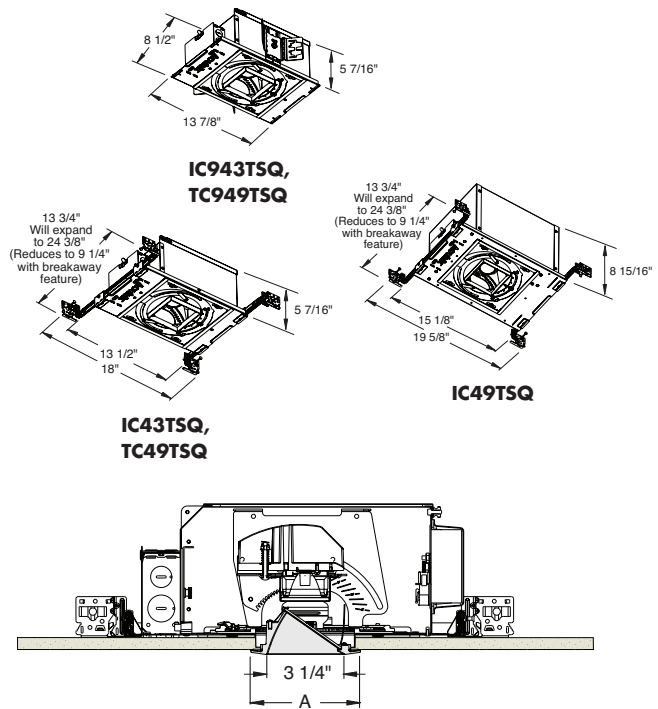
Mounting Available with either Patented (US Patent 8,038,113) Pro-VI™ bar hanger system, permitting quick placement of housing with 24" on-center joists or suspended ceilings, or with vertically adjustable mounting brackets (butterfly brackets). Specify mounting style when ordering.

Junction Box IC housings are rated for 4 No. 12 AWG 90°C through branch circuit conductors. • Non-IC housings are rated for 8 No. 12 AWG 90°C through branch circuit conductors. • Includes (5) 1/2", (1) 3/4", and (4) Non-metallic sheathed cable knock-outs. • Push-in electrical connectors for field connections.

Housing/Mounting Frame Housing painted black for visually dark interior • V-Notch in plaster frame and Patented (US Patent 8,277,090) Tru-Line™ Platform featuring +/- 1/2" translation and +/- 45° aperture rotation aids fixture alignment after installation, prior to drywall.

Ceiling Thickness 1/2" - 7/8" ceiling standard • For thicker ceilings, order CTA4SQ-125 (7/8"-1 1/4"), CTA4SQ-163 (1 1/4"-1 5/8") or CTA4SQ-200 (1 5/8"-2") • CTA4SQ not required for wood, stone, or tile flush mount applications.

DIMENSIONS

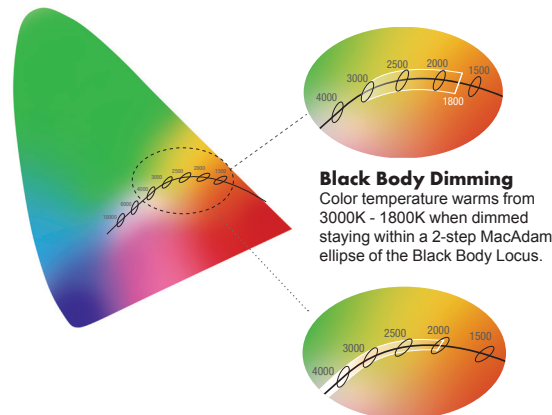


4 1/8" CEILING CUTOUT
(REFER TO INSTRUCTION SHEET FOR
FLUSH MOUNT CEILING CUTOUT)

	A
Self Flanged	4 1/2"
Flush Mount	3 5/8"

ELECTRICAL DATA

Housing	IC(9)43TSQ		IC49TSQ		TC(9)49TSQ	
Voltage	120	277	120	277	120	277
Input Power (W)	13.0	14.3	20.5	21.6	22.5	23.6
Input Current (A)	0.11	0.06	0.17	0.09	0.18	0.09
Frequency	50/60Hz		50/60Hz		50/60Hz	
Power Factor	0.99	0.92	0.99	0.92	0.99	0.92



Black Body Dimming
Color temperature warms from 3000K - 1800K when dimmed staying within a 2-step MacAdam ellipse of the Black Body Locus.

Tunable White
Color temperature can be tuned from 4350K - 2000K while staying within a 2-step MacAdam ellipse of the Black Body Locus.

BLACK BODY DIMMING & TUNABLE WHITE 700/1000 LUMEN WALL WASH LED

3-1/4" SQUARE LENSED WALL WASH
**IC(9)43TSQ-439SQ, IC49TSQ-439SQ,
 TC(9)49TSQ-439SQ**

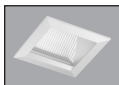

Ordering Information Housing, trim and accessories each ordered separately

Example: **TC949TSQ-W-N-U1**

Housing	Tunable White Range	Beam Spread	Voltage/Dimming ¹	Options
<input type="text"/>	<input type="text" value="W"/>	<input type="text"/>	<input type="text"/>	<input type="text"/>
IC43TSQ 700 Lumen, Bar Hangers (IC)	W 4350K - 2000K	V 21° Very Narrow Flood	U 120-277V, 0-10V Dimming	CP* Chicago Plenum
IC943TSQ 700 Lumen, Butterfly Brackets (IC)		N 27° Narrow Flood	U1 120V, 0-10V Dimming	
IC49TSQ 1000 Lumen, Bar Hangers (IC)		F 36° Flood	U2 277V, 0-10V Dimming	
TC49TSQ 1000 Lumen, Bar Hangers (Non-IC)				
TC949TSQ 1000 Lumen, Butterfly Brackets (Non-IC)				

*Not available on IC49TSQ Housing.
¹ IC is Universal voltage. Specify voltage for Non-IC products.

Example: **439SQW-SF**

Trim/Description		
		
Self Flanged ¹	Flush Mount ²	Description
439SQBH-Z-SF	439SQBH-Z-FM	Black Haze Reflector
439SQHZ-SF	439SQHZ-FM	Haze Reflector
439SQW-SF	439SQW-FM	White Reflector
439SQWH-Z-SF	439SQWH-Z-FM	Wheat Haze Reflector

¹For self flanged reflector with optional white painted flange, replace "-SF" suffix with "-SFWH".

²Flush Mount trims must be used with Flush Mount Adapter, ordered separately.

Product specifications subject to change without notice.

Flush Mount Adapters

Cat. #	Description
FMASQ4	Drywall Ceiling Adapter
FMASQ4-SC100-WH	Wood, Stone, Tile, 1/2"-1" Thick Ceiling, Adapter, White
FMASQ4-SC100-BL	Wood, Stone, Tile, 1/2"-1" Thick Ceiling, Adapter, Black
FMASQ4-SC138-WH	Wood, Stone, Tile, 1"-1 3/8" Thick Ceiling, Adapter, White
FMASQ4-SC138-BL	Wood, Stone, Tile, 1"-1 3/8" Thick Ceiling, Adapter, Black
FMASQ4-SC175-WH	Wood, Stone, Tile, 1 3/8"-1 3/4" Thick Ceiling, Adapter, White
FMASQ4-SC175-BL	Wood, Stone, Tile, 1 3/8"-1 3/4" Thick Ceiling, Adapter, Black

Optical Accessories

Cat. #	Description	Cat. #	Description
TIR-TW-V	21° Very Narrow Flood Optic	T7403	Med. Green Dichroic Lens
TIR-TW-N	27° Narrow Flood Optic	T7404	Med. Blue Dichroic Lens
TIR-TW-F	36° Flood Optic	T7405	Yellow Dichroic Lens
AF3-50DEG	50° Optic Film (Use with 27° Optic)	T7406	Magenta Dichroic Lens
T741	Med. Pink Color Filter	T7411	Blue Green Dichroic Lens
T742	Warm Red Color Filter	T7416	Daylight Blue Correction Lens
T743	Daylight Blue Color Filter	T7420	Diffuse Spread Lens
T744	Med. Blue Color Filter	T7422	UV Filter Lens
T745	Med. Amber Color Filter	T7477	Prismatic Lens
T746	Med. Green Color Filter	T7478	Linear Spread Lens
T7401	Red Dichroic Lens	T7459BL	Hexcell Louver

Misc. Accessories

Cat. #	Description
CTA45Q-125	1 1/4" Thick Ceiling Adapter
CTA45Q-163	1 5/8" Thick Ceiling Adapter
CTA45Q-200	2" Thick Ceiling Adapter
HB-1	(2) Real Nail 3 Bar Hangers
HB-26	(2) 26" C-Channel Bar Hangers
HB-50	(2) 50" C-Channel Bar Hangers
LB-27	(2) 27" Linear Bar Hangers
EMI-20	20W Emergency Lighting Inverter

To order, specify catalog number.



BLACK BODY DIMMING & TUNABLE WHITE 700/1000 LUMEN WALL WASH LED

3-1/4" SQUARE LENSED WALL WASH
IC(9)43TSQ-439SQ, IC49TSQ-439SQ,
TC(9)49TSQ-439SQ

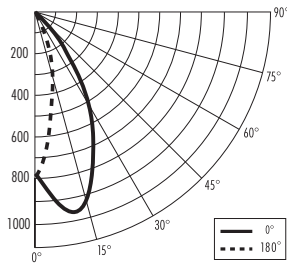
PHOTOMETRIC REPORT

Test Report #: PT10132815R

Catalog No: IC49TSQ-WN-U
with 439SQHZ-SF trim

Luminaire Spacing Criterion @ 90°: 0.76

Luminaire: 3-1/4" IC LED Downlight with Clear
Alzak®, Lensed Angle Cut Wall Wash Trim



CANDLEPOWER DISTRIBUTION (Candelas)

Degrees Vertical	0°		180°
	Wall Wash	Downlight	
0	791	791	
5	902	639	
10	955	493	
15	922	364	
20	814	265	
25	661	192	
30	500	137	
35	343	96	
40	204	65	
45	120	39	
50	76	20	
55	54	11	
60	39	8	
65	28	5	
70	18	3	
75	11	2	
80	5	1	
85	0	0	
90	0	0	

ZONAL LUMEN SUMMARY

Zone	Lumens	%Fixture
0-30°	431	63.6
0-40°	566	83.4
0-60°	661	97.5
0-90°	678	100.0
90-180°	0	0.0
0-180°	678	100.0

LUMINANCE (Average cd/m²)

Degrees	Average 180°	
	Downlight Luminance	
45	13947	
55	5979	
65	2726	
75	1166	
85	315	

FOOTCANDLES ON WALL FROM MULTIPLE FIXTURES

Fixture Distance to Wall	18"						24"					
	18"			24"			18"			24"		
Fixture Centers (spacing)	18"	18"	18"	24"	24"	24"	18"	18"	18"	24"	24"	24"
1'	13	13	13	11	9	11	7	7	7	6	6	6
2'	36	36	36	29	26	29	20	20	20	15	15	15
3'	50	50	50	39	37	39	34	34	34	26	26	26
4'	41	41	41	32	32	32	37	37	37	29	29	29
5'	31	31	31	25	25	25	32	33	32	25	25	25
6'	24	24	24	19	19	19	27	27	27	21	21	21
7'	18	18	18	15	15	15	21	21	21	18	18	18
8'	15	15	15	12	12	12	18	18	18	14	15	14
9'	11	11	11	9	9	9	14	14	14	11	11	11

DISTANCE FROM CEILING

Fc/Lumen Multipliers: IC(9)43TSQ - 0.70
IC49TSQ - 1.00
TC(9)49TSQ - 1.00

Photometry is at 3000K CCT

