

READ AND FOLLOW ALL SAFETY INSTRUCTIONS!

SAVE THESE INSTRUCTIONS AND DELIVER TO OWNER AFTER INSTALLATION

- To reduce the risk of death, personal injury or property damage from fire, electric shock, falling parts, cuts/abrasions, and other hazards please read all warnings and instructions included with and on the fixture box and all fixture labels.
- Before installing, servicing, or performing routine maintenance upon this equipment, follow these general precautions.
- Installation and service of luminaires should be performed by a **qualified licensed electrician**.
- Maintenance of the luminaires should be performed by person(s) familiar with the luminaires' construction and operation and any hazards involved. Regular fixture maintenance programs are recommended.
- It will occasionally be necessary to clean the outside of the refractor/lens. Frequency of cleaning will depend on ambient dirt level and minimum light output which is acceptable to user. Refractor/lens should be washed in a solution of warm water and any mild, non-abrasive household detergent, rinsed with clean water and wiped dry. Should optical assembly become dirty on the inside, wipe refractor/lens and clean in above manner, replacing damaged gaskets as necessary.
- **DO NOT INSTALL DAMAGED PRODUCT!** This luminaire has been properly packed so that no parts should have been damaged during transit. Inspect to confirm. Any part damaged or broken during or after assembly should be replaced.
- Recycle: For information on how to recycle LED electronic products, please visit www.epa.gov.
- These instructions do not purport to cover all details or variations in equipment nor to provide every possible contingency to meet in connection with installation, operation, or maintenance. Should further information be desired or should particular problems arise which are not covered sufficiently for the purchaser's or owner's purposes, this matter should be referred to Acuity Brands Lighting, Inc.



WARNING
RISK OF ELECTRIC SHOCK

- ✓ Disconnect or turn off power before installation or servicing.
- ✓ Verify that supply voltage is correct by comparing it with the luminaire label information.
- ✓ Make all electrical and grounded connections in accordance with the National Electrical Code (NEC) and any applicable local code requirements.
- ✓ All wiring connections should be capped with UL approved recognized wire connectors.



WARNING
RISK OF BURN

- ✓ Allow lamp/fixture to cool before handling. Do not touch enclosure or light source.
- ✓ Do not exceed maximum wattage marked on luminaire label.
- ✓ Follow all manufacturer's warnings, recommendations and restrictions for: driver type, burning position, mounting locations/methods, replacement and recycling.



CAUTION
RISK OF INJURY

- ✓ Wear gloves and safety glasses at all times when removing luminaire from carton, installing, servicing or performing maintenance.
- ✓ Avoid direct eye exposure to the light source while it is on.



CAUTION
RISK OF FIRE

- ✓ Keep combustible and other materials that can burn, away from lamp/lens.
- ✓ Do not operate in close proximity to persons, combustible materials or substances affected by heat or drying.



CAUTION: RISK OF PRODUCT DAMAGE

- ✓ Never connect components under load.
- ✓ Do not mount or support these fixtures in a manner that can cut the outer jacket or damage wire insulation.
- ✓ Controls for dimming, auto-sensing, or remote control of a luminaire that are not factory-wired to the luminaire must be checked for compatibility with the luminaire prior to installation. LED fixtures must be powered directly off a switched circuit.
- ✓ Unless individual product specifications deem otherwise: Do not restrict fixture ventilation. Allow for some volume of airspace around fixture. Avoid covering LED fixtures with insulation, foam, or other material that will prevent convection or conduction cooling.
- ✓ Unless individual product specifications deem otherwise: Do not exceed fixtures maximum ambient temperature.
- ✓ Only use fixture in its intended location.
- ✓ LED products are Polarity Sensitive. Ensure proper Polarity before installation.
- ✓ Electrostatic Discharge (ESD): ESD can damage LED fixtures. Personal grounding equipment must be worn during all installation or servicing of the unit.
- ✓ Do not touch individual electrical components as this can cause ESD, shorten lamp life, or alter performance.
- ✓ Some components inside the fixture may not be serviceable. In the unlikely event your unit may require service, stop using the unit immediately and contact an ABL representative for assistance.
- ✓ Always read the fixtures complete installation instructions prior to installation for any additional fixture specific warnings.
- ✓ Always ensure that the electrical distribution system is up to NEC (and any applicable local code) requirements.
- ✓ Verify that power distribution system has proper grounding. Lack of proper earth ground can lead to fixture failure and may void warranty.

All luminaires that contain electronic devices that generate frequencies above 9kHz from any component within the luminaire comply with Part 15 of the FCC Rules. Operation is subject to the following two conditions:

- (1) This device may not cause harmful interference
- (2) This device must accept any interference received, including interference that may cause undesired operation

This device complies with Part 18 of the FCC Rules but may cause interference with cordless and cell phones, radios, televisions, and other electronic devices. To correct the problem, move the device away from the luminaire or plug into a different outlet. This product may cause interference to radio equipment and should not be installed near maritime safety communications equipment or other critical navigation or communications equipment operating between 0.45-30MHz.

Failure to follow any of these instructions could void product warranties. For a complete listing of product Terms and Conditions, please visit www.acuitybrands.com.

Acuity Brands Lighting, Inc. assumes no responsibility for claims arising out of improper or careless installation or handling of its products.

ABL LED General Warnings, Form No. 503.203

© 2010, 2016 Acuity Brands Lighting, Inc. All rights reserved. 12/01/10

WARNING: For your safety, read and understand instructions completely before starting installation. Before wiring to power supply, turn off electricity at fuse or circuit breaker box.

NOTE: Aculux recessed fixtures are designed to meet the latest NEC requirements and are listed under the relevant UL standards. Before attempting installation of any recessed lighting fixture, check your local electrical building code. This code sets the wiring and installation requirements for your locality and should be understood before starting your work.

TYPE NON-IC FOR USE IN NON INSULATED CEILINGS

Aculux fixtures not containing "ICAT" (type non-IC) are designed for installations where the housing and J-Box will not come into contact with insulation*. Insulation and combustible materials must be spaced at least 3" away from the housing and J-Box. Blinking or powering off of the light during use indicates an over heating condition which may be caused by insulating material being too close to or covering fixture.

Caution: Failure to correct an overheating condition may result in fire and serious injury.

*In Canada, when insulation is present, Type IC fixtures must be used.

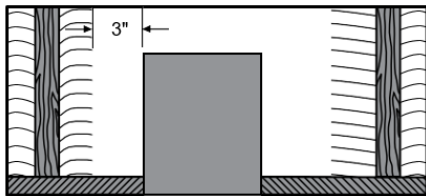


Fig. 1

ENERGY STAR QUALIFIED



Aculux Initia fixtures are Energy Star Qualified with select configurations. See Aculux website for detailed information.

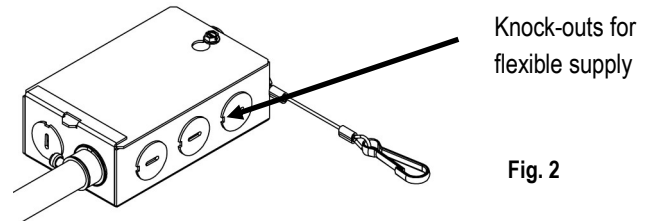
WARRANTY

5- year limited warranty.

Complete warranty terms located at:

http://www.acuitybrands.com/CustomerResources/Terms_and_conditions.aspx

DIMMING COMPATIBILITY AND WIRING



All Aculux fixtures contain an integral junction box that allows connection of power to the fixture.

All Aculux housings also come pre-wired with UL Listed push-in style wire connectors for connection of the branch circuit supply and ground conductors to the fixture. These push-in wire connectors allow up to two 12AWG or 14AWG copper wires to be connected to each fixture lead and ground.

1. Provide flexible electrical supply according to your local electrical code to the Aculux junction box located on the plaster frame. Supply wire insulation must be rated for at least 90°C.
2. Ensure electrical supply length is adequate to allow service through the ceiling opening from the room side if necessary
3. Remove the junction box cover and attach the electrical service as follows: (Fig. 2)
 - a. Flexible metal conduit: Remove appropriate round knockout (s) and connect flexible conduit to junction box with proper fittings (supplied by others).
 - b. Non-metallic sheathed cable (type NM-B): Remove appropriate round knockout (s) and connect cable to junction box with proper fittings (supplied by others).
4. Strip 3/8" insulation from the branch-circuit supply and ground wires, and insert into the corresponding push-in wire connector as shown in the corresponding wiring diagram.
5. Place all wiring and connections in junction box and replace cover

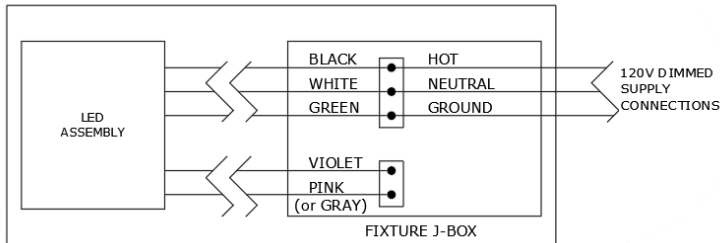
DIMMING COMPATIBILITY AND WIRING (CONTINUED)

Aculux Initia fixtures use electronic LED drivers that are compatible with most incandescent, magnetic low voltage, electronic low voltage, and low voltage 0-10V dimmers. Refer to dimming compatibility document posted on web site for specific dimmer model compatibility details.

UGZ MVOLT fixture:

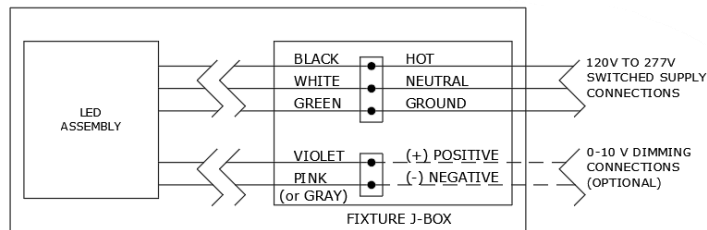
For use with **120VAC input and incandescent, magnetic low voltage, or electronic low voltage dimmers** (note: electronic low voltage dimmers require a neutral wire connection at the dimmer):

LINE VOLTAGE DIMMING WIRING DIAGRAM



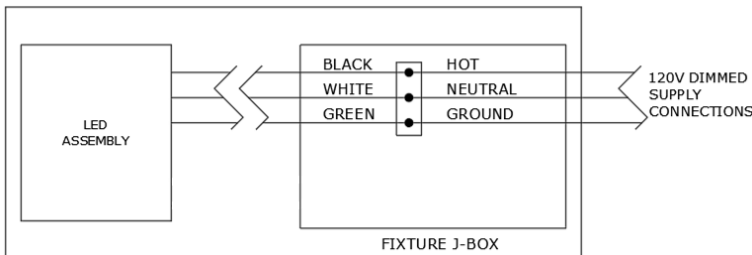
For use with **120VAC thru 277VAC input and standard 0-10VDC controls** (note: this requires switched input power with separate low voltage control wires). This configuration can also be used for **switched only 120VAC thru 277VAC input** when dimming wires are not connected to fixture:

0-10V DIMMING WIRING DIAGRAM



FPC 120 fixture:

For use with **120VAC input and incandescent, magnetic low voltage, or electronic low voltage dimmers** (note: electronic low voltage dimmers require a neutral wire connection at the dimmer):

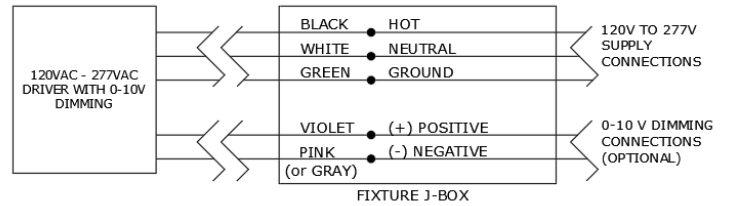


DIMMING COMPATIBILITY AND WIRING (CONTINUED)

EZ1 MVOLT and GZ1 MVOLT fixtures:

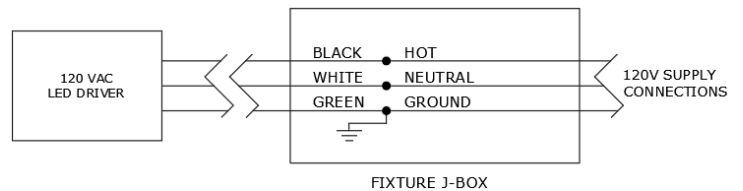
Universal input voltage (120VAC thru 277VAC) housings with eldoLED ECOdrive (EZ1) or generic (GZ1) 1% dimming drivers with linear dimming curve.

Dimmable with the use of approved 0-10V dimmers, switches and control systems.



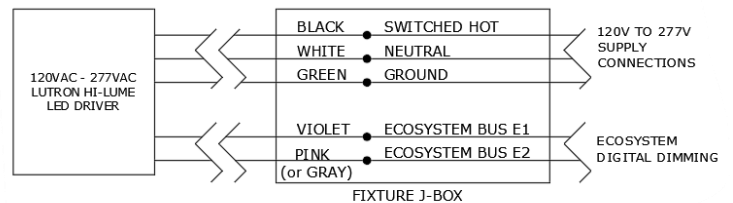
ECOS2 120 fixture:

120VAC input housings with Lutron® Hi-Lume® A-Series driver for use with Lutron® approved forward phase controls. (Note: These controls require a neutral wire connection at the dimmer).



ECOD MVOLT fixture:

Universal input voltage (120VAC thru 277VAC) housings with Lutron® Hi-Lume® driver for use with Lutron® approved Ecosystem digital controls.



MOUNTING FIXTURE

- Cut shape in ceiling
 - Round fixture: 4 1/4" diameter opening in ceiling, which will be slightly larger than the outside diameter of the mounting ring.
 - Square fixture: 4" x 4" square opening in ceiling
- Fold mounting ring in half (Fig. 3) and insert through opening in ceiling. (Fig. 4)

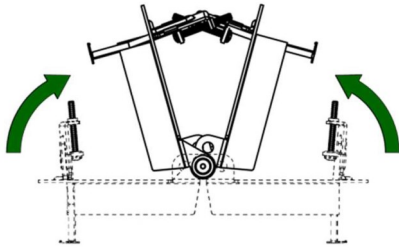


Fig. 3

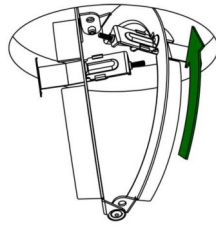


Fig. 4

- Position mounting ring over opening in ceiling and unfold, inserting aperture collar into opening until flange of ring is flush to plenum side of ceiling. (Fig. 5)

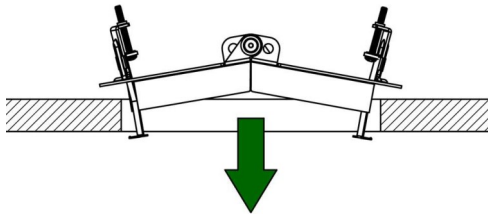


Fig. 5

- Tighten clamping screws to fasten mounting ring to ceiling with clamping springs (Fig. 6).

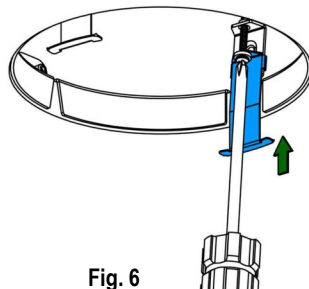
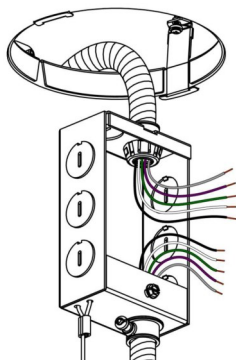


Fig. 6

- Use 1/4" nut driver to remove cover from splice box. Then remove a knockout on the splice box to feed supply power to fixture. (Not shown)

- Pull supply wires and conduit through aperture and connect to splice box. (Fig. 7)

Complete necessary splices according to wiring diagram for selected LED driver options.



SUPPLY CONDUCTORS

LEAD TO DRIVER ASSEMBLY

Fig. 7

MOUNTING FIXTURE (CONTINUED)

Supply wire must meet applicable electrical codes and be rated for a minimum of 90°C. Appropriate control wires to be provided by installer in accordance with selected driver option.

- Push all wires inside splice box, replace cover and secure with screw (not shown).
- Connect to LED input plug to driver output plug. Ensure correct plug orientation and polarity while making connection. (Fig. 8)

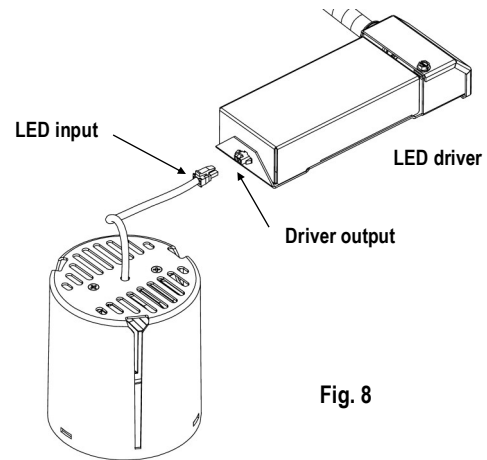


Fig. 8

- Fasten safety lanyard from splice box to one side of the mounting ring (Fig. 9).

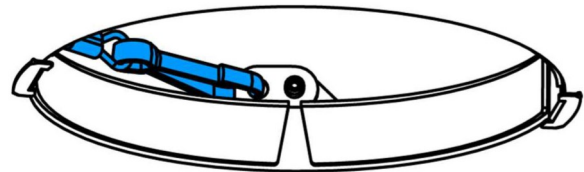


Fig. 9

- Push the supply conduit and splice box through the aperture and into the plenum space, followed by the driver assembly and LED assembly (Fig. 10).

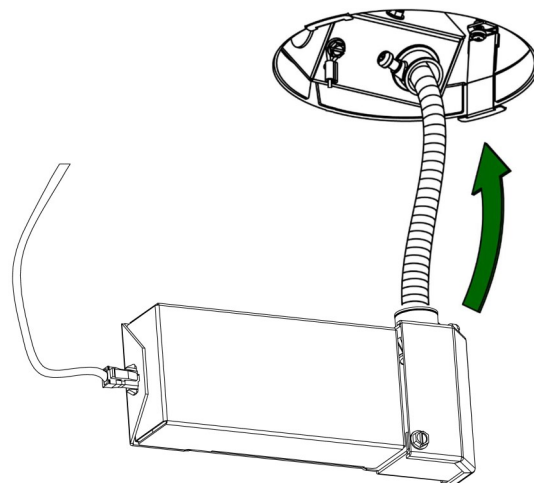


Fig. 10

FIXTURE LEVELING

Aculux Initia fixtures are shipped with a paint shield/gauge that should be used to level the LED assembly with the finished ceiling.

1. Ensure power is shut off to fixture
2. Remove paint shield from fixture. (Fig. 11)
3. Loosen screws. LED assembly should be able to move up and down. (Fig. 12).

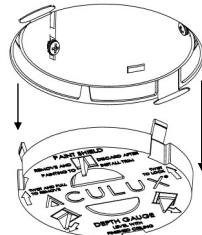
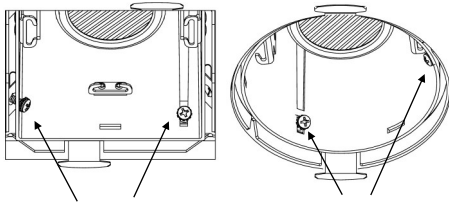


Fig. 11

Fig. 12
(Round fixture has 3 screws,
Square fixture has 4 screws)

4. Paint shields have easy-access screw installation (Fig. 13). Push openings with fingers or screw driver until completely open. Repeat with all openings (Fig. 14)

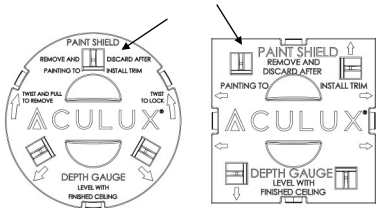


Fig. 14

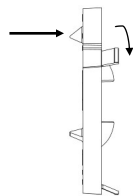


Fig. 13

(Round paint shield has 3 openings, Square paint shield has 4 openings)

5. Insert paint shield into fixture and adjust fixture until level with finished ceiling (Fig. 15). Paint shield has indicators where to level. Tighten screws with screw driver thru the openings (Fig. 16).

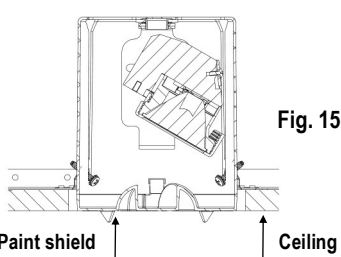


Fig. 15

Paint shield ↑ Ceiling ↑

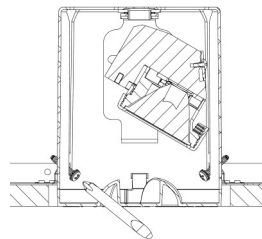
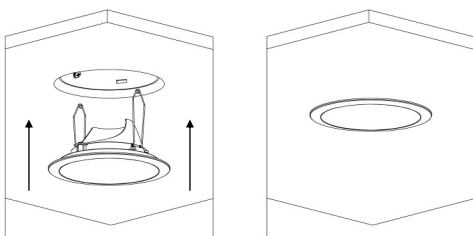


Fig. 16

Use phillips #2 screw driver

6. Paint / finish ceiling
7. Remove and discard shield. Install trim



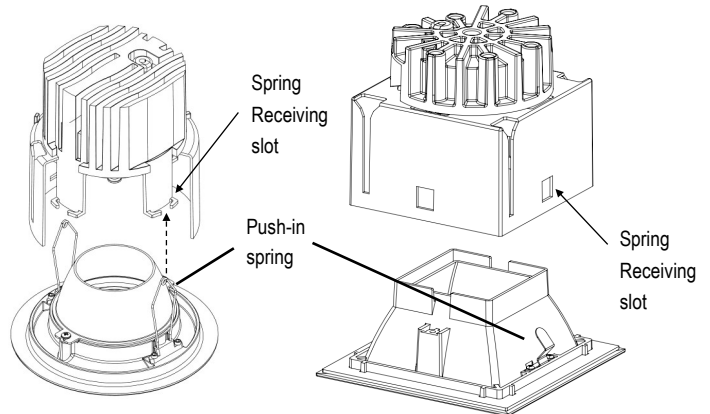
AIMING AND TRIM INSTALLATION

Note: LED assembly must be leveled for proper trim installation

Install Aculux Initia trims using push-in springs as provided.

1. When installing trim in Downlight fixture, insert push-in springs into fixture slots and push trim upwards until flush with finished ceiling.

Round downlight fixtures allow 359° rotation for wall wash trim positioning



2. When installing trim in Adjustable fixtures, aim the LED mechanism to desired position. It allows 35° tilt and 359° rotation.

A. To adjust aiming angle use a standard flat-blade screwdriver or your hand, rotate and/or tilt the adjustment mechanism until the desired aiming position is achieved (Fig 18).

Note: Tilt in Square adjustable fixture can be increased by bending spring receiving slot out of the way if needed. (Fig. 17)

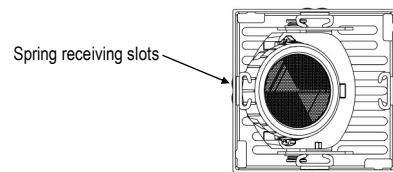


Fig. 17

B. When installing trim, insert push-in springs into fixture slots and push trim upwards until flush with finished ceiling.

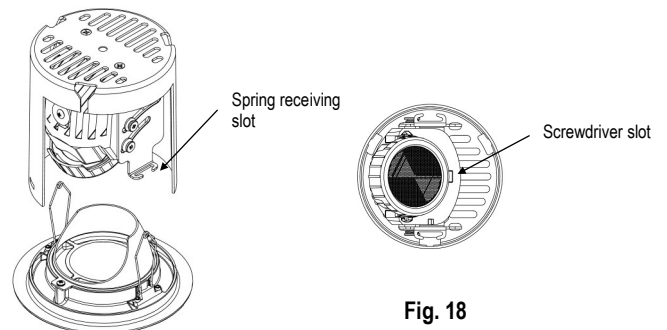


Fig. 18

LENS AND OPTIC INSTALLATION AND REPLACEMENT

Aculux LED housings contain a lens holder that accepts up to (2) glass light control or color control accessories with select trims and Aculux optical films

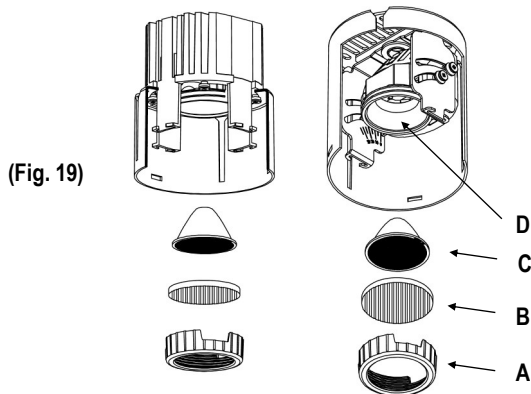
To install lens (Fig. 19):

1. Unscrew outer lens holder (A) and remove.
2. Place lenses (B) into outer lens holder.
3. Line up lens holder and optic (C) with optic holder (D) and screw in to secure.

Aculux LED housings are shipped with the optic that provides the beam spread specified at the time of purchase. However, this optic can be replaced if a different beam spread is desired.

To replace optic (Fig. 19):

1. Remove outer lens holder (A) as described in step 1 above.
2. Discard optic (C) and place new optic into lens holder
3. Line up lens holder and optic (C) with optic holder (D) and screw in to secure.

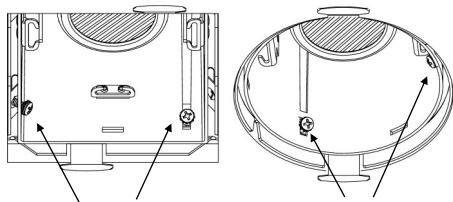


LED REPLACEMENT

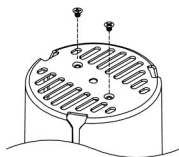
Aculux fixtures are designed to be serviced easily. The LED module is removable to the room side for LED changes, replacement or upgrading.

Before servicing, disconnect or switch off electrical supply to fixture. Failure to do so can result in electrical shock and/or injury.

1. Loosen screws of fixture, pull down and remove LED assembly



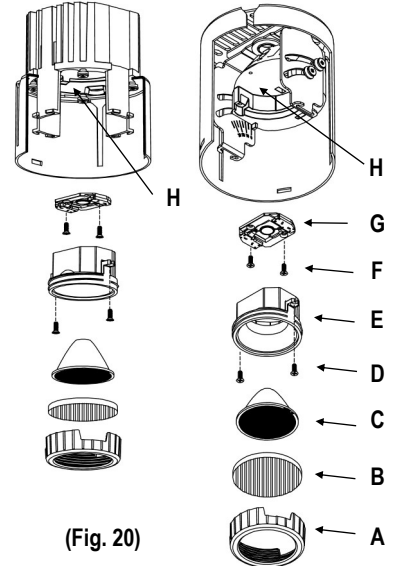
2. When servicing adjustable fixtures, remove screws and detach LED mechanism from LED assembly



LED REPLACEMENT (CONTINUED)

To Remove LED Assembly (Fig. 20)

1. Unscrew outer lens holder (A) and remove.
2. If applicable, remove lenses (B) and optic (C)
3. Remove optic housing (E) by loosening and removing screws (D)
4. Remove LED module (G) from heatsink (H) by loosening and removing screws (F)



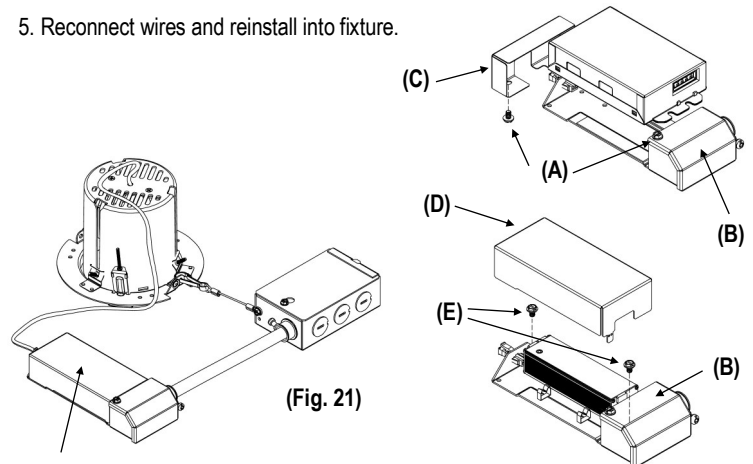
To Install LED Assembly (Fig. 20)

1. If needed, apply thermal grease evenly to back side of LED assembly (H)
2. Reinstall LED module (G), screws (F), optic housing (E), screws (D), optic (C) and lens holder (A) with any optional lenses (B)
3. Install and level LED assembly per instructions

DRIVER REPLACEMENT

Aculux LED fixtures allow replacement of the electronic LED driver from above or below the finished ceiling. Driver replacement must be performed by a qualified electrician. Before servicing, disconnect or switch off electrical supply to fixture. Failure to do so can result in electrical shock and/or injury.


1. Locate driver assembly (Fig. 21)
2. When using driver:
 - A. EZ1 / ECOD / ECOS2 / GZ1 drivers: Loosen and remove screws (A) and covers (B) (C) that secure driver.
 - B. FPC / UGZ: Loosen and remove screw (A) unfold tabs (D) and remove cover. Remove two screws (E)
3. Disconnect driver wires and remove driver assembly from fixture
4. Install new driver by mounting and securing it to the driver cover.
5. Reconnect wires and reinstall into fixture.





LEA Y SIGA TODAS LAS INSTRUCCIONES DE SEGURIDAD.


GUARDE ESTAS INSTRUCCIONES Y ENTRÉGUELAS AL PROPIETARIO DESPUÉS DE LA INSTALACIÓN

- Para reducir el riesgo de muerte, lesiones personales o daño a la propiedad que pueda surgir de incendios, descargas eléctricas, caída de partes, cortes, abrasiones y otros peligros lea todas las advertencias e instrucciones incluidas en la caja o su interior, además de las etiquetas del montaje.
- Antes de instalar, reparar o realizar el mantenimiento de rutina en este equipo, siga estas precauciones generales.
- La instalación y la reparación de las luminarias debe estar a cargo de un **electricista calificado autorizado**.
- El mantenimiento de las luminarias debe realizarlo una persona familiarizada con la fabricación y el funcionamiento de este producto, y con los peligros relacionados. Se recomiendan los programas de mantenimiento de las luminarias.
- En ocasiones será necesario limpiar el exterior del reflector o la lente. La frecuencia de la limpieza dependerá del nivel de polvo del ambiente y de la potencia de la luz mínima aceptable para el usuario. El reflector o la lente se deben lavar con una solución de agua tibia y detergente de uso doméstico, suave y no abrasivo; enjuagar con agua limpia y secar. En caso de que el ensamblaje óptico se ensucie en el interior, limpie el reflector o lente de la forma indicada anteriormente. Reemplace las juntas dañadas, según sea necesario.
- **¡NO INSTALE EL PRODUCTO DAÑADO!** Esta luminaria se empaquetó adecuadamente de modo tal que las piezas no resulten dañadas durante su transporte. Inspecciónelas para confirmarlo. Cualquier parte dañada o rota durante o después del ensamblaje debe reemplazarse.
- Reciclado: Para obtener información sobre cómo reciclar productos electrónicos de led, visite www.epa.gov.
- Estas instrucciones no pretenden cubrir todos los detalles o las variaciones de los equipos ni abarcar todas las posibles eventualidades relacionadas con la instalación, el funcionamiento o el mantenimiento. Si necesita más información o surgen problemas específicos que no estén debidamente cubiertos para los fines del comprador o propietario, remítase a Acuity Brands Lighting, Inc.

	AVERTISSEMENT RISQUE DE DÉCHARGES ÉLECTRIQUES:
<ul style="list-style-type: none"> ✓ Desconecte o interrumpa la energía eléctrica antes de realizar la instalación o la reparación. ✓ Verifique que el voltaje de alimentación sea correcto al compararlo con la información de la etiqueta de la luminaria. ✓ Realice todas las conexiones eléctricas y a tierra de acuerdo con los requisitos del Código Eléctrico Nacional (National Electrical Code, NEC) y de cualquier código local vigente. ✓ Todas las conexiones de cableado deben cubrirse con conectores de cable reconocidos aprobados por UL. 	

	AVERTISSEMENT RISQUE DE BRÛLURE
<ul style="list-style-type: none"> ✓ Antes de manipular la lámpara o luminaria, déjela enfriar. No toque la carcasa ni la fuente de iluminación. ✓ No supere el vatiaje máximo señalado en la etiqueta de la luminaria. ✓ Siga todas las advertencias, recomendaciones y restricciones del fabricante para: tipo de circuito controlador, posición de funcionamiento, ubicaciones/métodos de montaje, sustitución y reciclaje. 	

	PRECAUCIÓN RIESGO DE LESIONES
<ul style="list-style-type: none"> ✓ Use guantes y gafas de seguridad en todo momento al quitar la luminaria de la caja, instalar, reparar o realizar el mantenimiento. ✓ Una vez encendida la fuente de iluminación, evite la exposición directa a los ojos. 	

	PRECAUCIÓN RIESGO DE INCENDIO
<ul style="list-style-type: none"> ✓ Mantenga lejos de la lámpara o las lentes materiales combustibles y de otro tipo que se puedan incendiar. ✓ No encienda cerca de personas, materiales combustibles o sustancias sensibles al calor o a la desecación. 	



PRECAUCIÓN: RIESGO DE DAÑO PARA EL PRODUCTO

- ✓ Nunca conecte componentes bajo carga.
- ✓ No monte ni sujete estas luminarias de manera que puedan cortar el revestimiento exterior o dañar el aislamiento de los cables.
- ✓ Los controles para la atenuación, la detección automática o el control remoto de una luminaria que no están cableados de fábrica a la luminaria deben revisarse para verificar la compatibilidad con la luminaria antes de la instalación. Las luminarias de led deben alimentarse directamente de un circuito conmutado.
- ✓ A menos que las especificaciones particulares del producto consideren lo contrario, haga lo siguiente: No restrinja la ventilación de las luminarias. Deje un poco de volumen de espacio aéreo alrededor de la luminaria. Evite cubrir las luminarias de led con material aislante, espuma u otro material que impida la convección o la conducción de refrigeración.
- ✓ A menos que las especificaciones particulares del producto consideren lo contrario, haga lo siguiente: No exceda la temperatura ambiente máxima de las luminarias.
- ✓ Use la luminaria únicamente en el lugar previsto.
- ✓ Los productos de led son sensibles a la polaridad. Asegúrese de tener la polaridad correcta antes de la instalación.
- ✓ Descarga electrostática (ESD): La descarga electrostática (Electrostatic Discharge, ESD) puede dañar las luminarias de led. Debe usarse equipamiento personal de conexión a tierra durante toda la instalación o el mantenimiento de la unidad.
- ✓ No toque los componentes eléctricos individuales, ya que esto puede causar ESD, acortar la vida de la lámpara o alterar el rendimiento.
- ✓ Algunos componentes del interior de la luminaria pueden no ser utilizables. En el caso improbable de que su unidad requiera reparación, deje de usar la unidad inmediatamente y comuníquese con un representante de ABL para obtener ayuda.
- ✓ Lea siempre las instrucciones completas de instalación de montaje antes de la instalación para verificar si hay advertencias específicas de montaje adicionales.
- ✓ Asegúrese siempre de que el sistema de distribución eléctrica cumpla con los requisitos del NEC (y de cualquier código local aplicable).
- ✓ Verifique que el sistema de distribución de alimentación tenga una conexión a tierra adecuada. La falta de una toma de tierra adecuada puede conducir a una falla de la luminaria y puede anular la garantía.

Todas las luminarias que contienen dispositivos eléctricos que generan frecuencias superiores a 9 kHz desde cualquier componente de la luminaria cumplen con la Parte 15 de las reglas de la FCC. El funcionamiento está sujeto a las siguientes dos condiciones:

- (1) Este dispositivo no puede ocasionar interferencias perjudiciales.
- (2) Este dispositivo debe aceptar cualquier interferencia recibida, incluso, las interferencias que pueden ocasionar un mal funcionamiento.

Este dispositivo cumple con la Parte 18 de las reglas de la FCC pero puede ocasionar interferencia con teléfonos inalámbricos y celulares, radios, televisores y otros dispositivos electrónicos. Para corregir el problema, aleje el dispositivo de la luminaria o enchúfelo en otra toma de corriente. Este producto puede ocasionar interferencia en equipos de radio y no se debe instalar cerca de equipos de comunicación de seguridad marítima u otros equipos de comunicación o navegación crítica que funcionen en el rango de 0.45-30 MHz.

El incumplimiento de alguna de estas instrucciones puede anular la garantía del producto. Para obtener una lista completa de los Términos y Condiciones del producto, visite www.acuitybrands.com.

Acuity Brands Lighting, Inc. no se hace responsable de los reclamos que puedan surgir por la instalación o manipulación inadecuada o negligente de sus productos.

Advertencias generales de ABL LED, formulario n.º 503.203

ADVERTENCIA: Por su seguridad, lea y comprenda las instrucciones completamente antes de comenzar la instalación. Antes de conectar el montaje a la fuente de alimentación, desactive la electricidad en la caja de fusibles o el disyuntor.

NOTA: Los dispositivos empotrados de Aculux están diseñados para cumplir con los últimos requisitos del NEC (Código Eléctrico Nacional) y se enumeran según los estándares UL pertinentes. Antes de intentar la instalación de cualquier dispositivo de iluminación empotrado, verifique su código de construcción eléctrica local. Este código establece los estándares de cableado y los requisitos de instalación de su localidad y debe conocerse antes de comenzar el trabajo.

* Este documento ha sido traducido del inglés por razones de conveniencia. En el caso de hubiera alguna inconsistencia entre el texto del documento en inglés y esta traducción, prevalecerá el texto en inglés. Todas las marcas registradas a las que se hace referencia son propiedad de sus respectivos dueños. Las marcas registradas de Acuity Brands Lighting que están marcadas con el símbolo [®] están registradas en los EE. UU. y pueden estar registradas en otros países.

TIPO NO-IC PARA USO EN TECHOS SIN AISLAMIENTO

Los dispositivos Aculux que no contienen "ICAT" (tipo no-IC) están diseñados para instalaciones en las que la carcasa y la caja de conexión no entrarán en contacto con el material aislante*. El material aislante y los materiales combustibles deben estar al menos a 3 in de distancia de la carcasa y la caja de conexión. El parpadeo o el apagado de la luz durante el uso indica una condición de sobrecalentamiento que puede deberse a que el material aislante está demasiado cerca o cubre el accesorio.

Precaución: De no corregir una condición de sobrecalentamiento, se pueden producir incendios y lesiones graves.

*En Canadá, cuando el aislamiento está presente, se deben usar accesorios tipo IC.

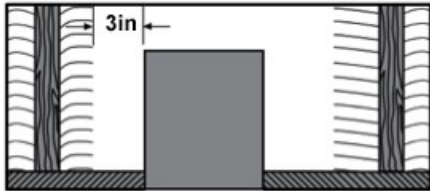


Fig. 1

CALIFICADOS COMO ENERGY STAR



Los dispositivos de Aculux Initia tienen la calificación Energy Star en configuraciones seleccionadas. Consulte el sitio web de Aculux para obtener información detallada.

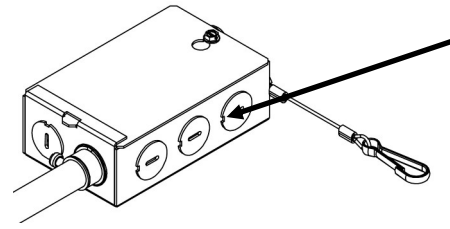
GARANTÍA

Garantía limitada de 5 años.

Para consultar las condiciones de garantía completas, visite:

http://www.acuitybrands.com/CustomerResources/Terms_and_conditions.aspx

COMPATIBILIDAD Y CABLEADO DE ATENUACIÓN



Orificios troquelados para un suministro flexible

Fig. 2

Todos los dispositivos Aculux contienen una caja de conexiones integral que permite la conexión de la alimentación al dispositivo.

Todas las carcasas de Aculux también vienen precableadas con conectores de cable empotrables listados por UL para la conexión del suministro del circuito derivado y los conductores de tierra al accesorio. Estos conectores de cable empotrables permiten conectar hasta dos cables de cobre de 12 AWG o 14 AWG a cada cable y conexión a tierra del accesorio.

1. Proporcione suministro eléctrico flexible de acuerdo con su código eléctrico local a la caja de conexiones Aculux ubicada en el marco de yeso. El aislamiento del cable de suministro debe tener una clasificación para al menos 90°C.
2. Asegúrese de que la longitud del suministro eléctrico sea adecuada para permitir el servicio a través de la abertura del techo desde el lado de la habitación de ser necesario.
3. Retire la cubierta de la caja de conexiones y conecte el servicio eléctrico de la siguiente manera: (Fig. 2)
 - a. Conducto de metal flexible: Retire los orificios troquelados redondos apropiados y conecte el conducto flexible a la caja de conexiones con los accesorios adecuados (suministrados por terceros).
 - b. Cable revestido no metálico (tipo NM-B): Retire los orificios troquelados redondos apropiados y conecte el cable a la caja de conexiones con los conectores adecuados (suministrados por terceros).
4. Pele el aislamiento de 3/8 in del suministro del circuito derivado y los cables a tierra, e insértelo en el conector de cable empotrado correspondiente como se muestra en el diagrama de cableado correspondiente.
5. Vuelva a colocar todos los cables y conexiones en la caja de conexiones y reemplace la cubierta.

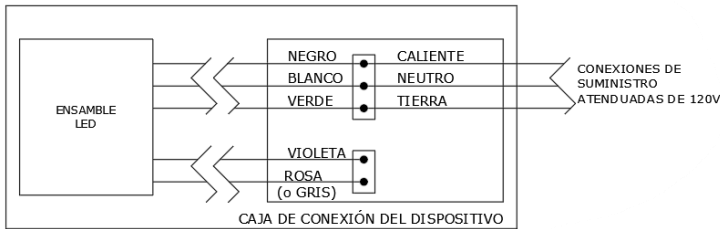
COMPATIBILIDAD Y CABLEADO DE ATENUACIÓN (CONTINUACIÓN)

Los dispositivos Aculux Initia utilizan controladores de LED electrónicos que son compatibles con la mayoría de los atenuadores incandescentes, de baja tensión magnética, baja tensión electrónica y baja tensión de 0-10 V. Consulte el documento de compatibilidad de atenuación publicado en el sitio web para obtener detalles específicos de compatibilidad del modelo de atenuador.

Dispositivo UGZ MVOLT:

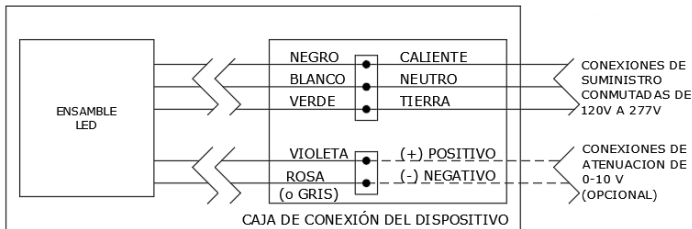
Para usar con **entrada de 120 VCA** y **atenuadores de bajo voltaje incandescentes, de bajo voltaje magnético o electrónicos** (nota: los atenuadores electrónicos de bajo voltaje requieren una conexión de cable neutro en el atenuador):

ATENUACIÓN DE VOLTAJE DE LÍNEA DIAGRAMA DE CABLEADO



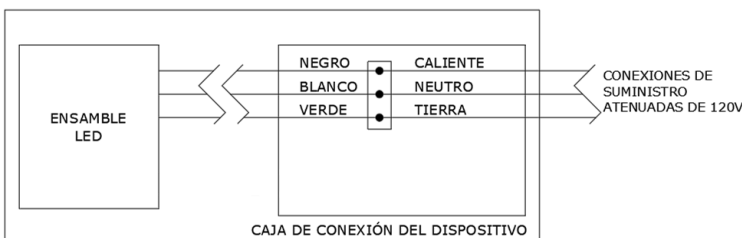
Para usar con **entrada de 120 VCA hasta 277 VCA** y **controles estándar de 0-10 VCC** (nota: esto requiere alimentación de entrada conmutada con cables de control de bajo voltaje separados). Esta configuración también se puede utilizar para **conmutar solo entradas de 120 VCA a 277 VCA** cuando los cables de atenuación no están conectados al dispositivo:

ATENUACIÓN 0-10 V DIAGRAMA DE CABLEADO



Dispositivo FPC 120:

Para usar con **entrada de 120 VCA** y **atenuadores de bajo voltaje incandescentes, de bajo voltaje magnético o electrónicos** (nota: los atenuadores electrónicos de bajo voltaje requieren una conexión de cable neutro en el atenuador):

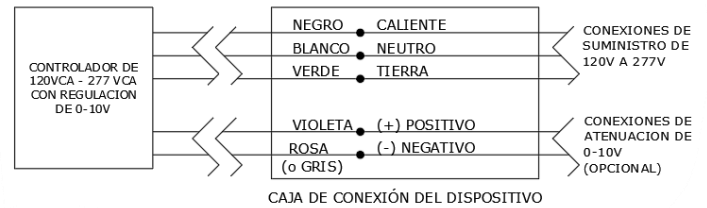


COMPATIBILIDAD Y CABLEADO DE ATENUACIÓN (CONTINUACIÓN)

Dispositivos EZ1 MVOLT y GZ1 MVOLT:

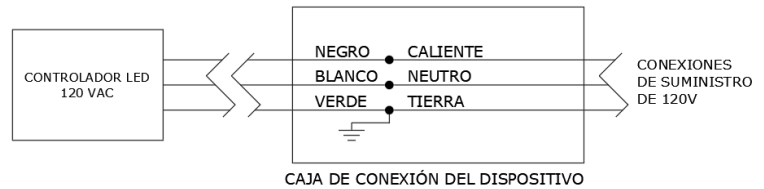
Carcassas con toma de voltaje universal (120-277 voltios) con eldoLED ECOdrive (EZ1) o generico (GZ1) con impulsador de atenuación lineal.

Atenuable con el uso de atenuadores 0-10v, interruptores y sistemas de control aprobados.



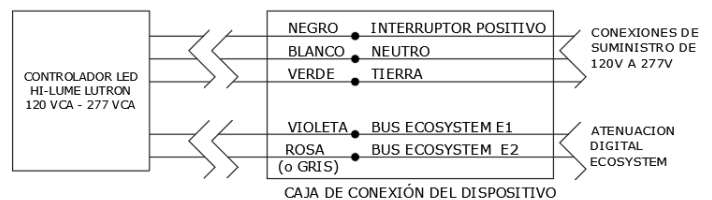
Dispositivo ECOS2 120:

Carcassas de entrada de 120 VCA con controlador serie A Hi-Lume® de Lutron® para usar con controles de fase directa aprobados por Lutron®. (Nota: estos controles requieren una conexión de cable neutro al atenuador).



Dispositivo ECOD MVOLT:

Carcassas de voltaje de entrada universal (de 120 VCA a 277 VCA) con controlador Hi-Lume® de Lutron® para usar con controles digitales Ecosystem aprobados por Lutron®.



MONTAJE DEL ACCESORIO

1. Realice corte en el techo

A. Dispositivo redondo: Abertura de 4 in de diámetro en el techo, que será un poco más grande que el diámetro exterior de la abertura del anillo de montaje.

B. Dispositivo cuadrado: Abertura cuadrada de 4 in x 4 in en el techo.

2. Doble el anillo de montaje por la mitad (Fig. 3) e insértelo a través de la abertura en el techo. (Fig. 4)

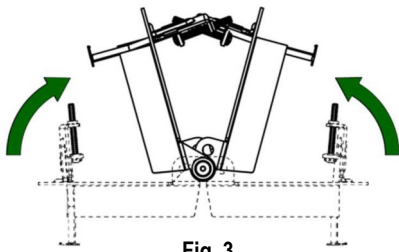


Fig. 3

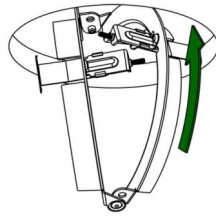


Fig. 4

3. Coloque el anillo de montaje sobre la abertura en el techo y desdoblelo de modo que inserte el collar de apertura en la abertura hasta que la brida del anillo quede al ras del lado del plenum del techo. (Fig. 5)

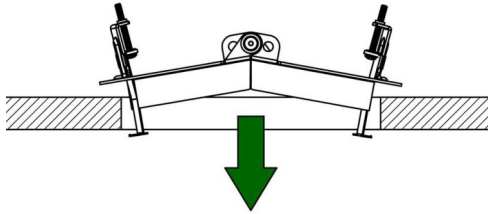


Fig. 5

4. Atomille los tornillos de sujeción para fijar el anillo de montaje al techo con los resortes de sujeción (Fig. 6).

5. Use una llave para tuercas de 1/4 in para retirar la cubierta de la caja de empalmes. Luego, haga un orificio en la caja de empalmes para alimentar la luminaria. (No se muestra)

6. Jale los cables de alimentación y del conducto a través de la abertura y conéctelos a la caja de empalmes. (Fig. 7)

Haga los empalmes necesarios de acuerdo con el diagrama del cableado para las opciones del controlador de LED seleccionadas.

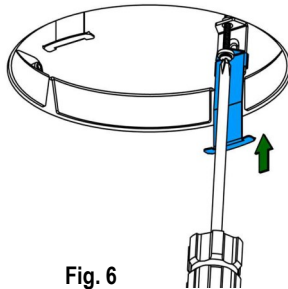
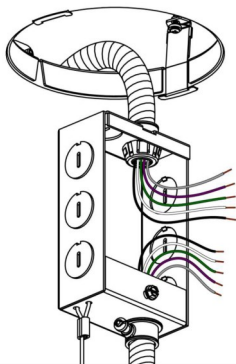


Fig. 6



CONDUCTORES DE ALIMENTACIÓN

CABLE AL CONJUNTO DEL CONTROLADOR

Fig. 7

MONTAJE DEL ACCESORIO (CONTINUACIÓN)

El cable de alimentación debe cumplir con los códigos eléctricos vigentes y debe estar dimensionado para 90° C como mínimo. El instalador debe proporcionar los cables de control apropiados de acuerdo con la opción del regulador seleccionada.

7. Acomode todos los cables dentro de la caja de empalmes, vuelva a colocar la cubierta y asegúrela con un tornillo (no se muestra).

8. Conecte el enchufe de entrada LED al enchufe de salida del controlador. Asegure la correcta orientación del conector y la polaridad al realizar la conexión. (Fig. 8)

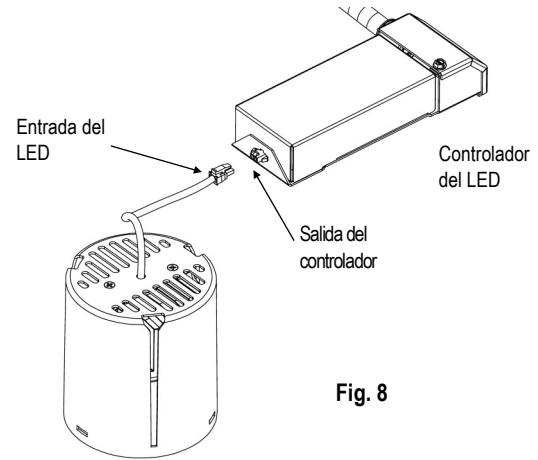


Fig. 8

9. Fije el cordón de seguridad de la caja de empalmes a un lado del anillo de montaje (Fig. 9).

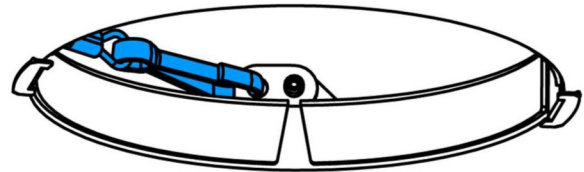


Fig. 9

10. Empuje el conducto de alimentación y la caja de empalmes a través de la abertura y hacia el espacio del plenum, seguido por el conjunto del controlador y el conjunto LED (Fig. 10).

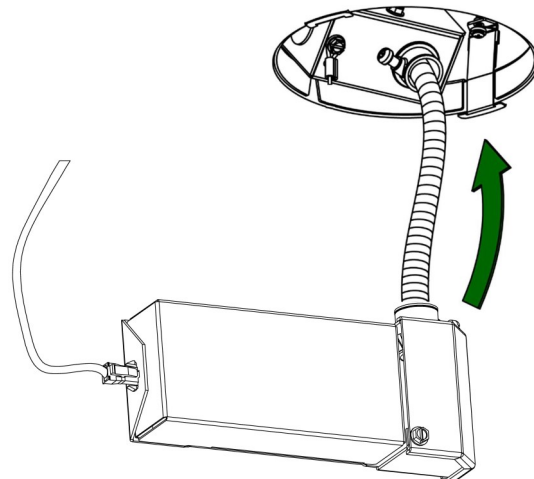


Fig. 10

NIVELACIÓN DEL DISPOSITIVO

Los dispositivos Aculux Initia se envían con un protector contra pintura / calibrador que debe usarse para nivelar el ensamble LED con el techo terminado.

1. Asegúrese de que la conexión eléctrica al dispositivo esté apagada.
2. Retire el protector contra pintura del dispositivo. (Fig. 11)
3. Afloje los tornillos. El ensamble LED debe poder moverse hacia arriba y hacia abajo. (Fig. 12).

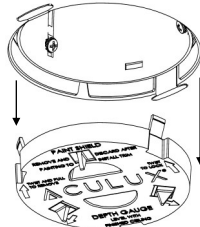
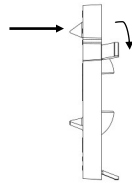
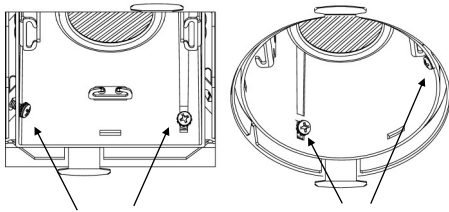


Fig. 11

Fig. 12
(El dispositivo redondo tiene 3 tornillos, el cuadrado tiene 4 tornillos)



4. Los protectores contra pintura tienen una instalación de tornillo de fácil acceso (Fig. 13). Empuje las aberturas con los dedos o el destornillador hasta que estén completamente abiertas. Repita con todas las aberturas (Fig. 14).

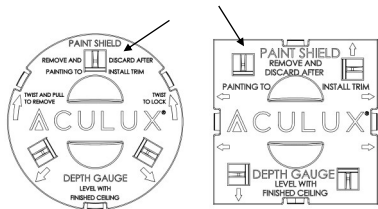


Fig. 14

(El protector contra pintura redondo tiene 3 aberturas, el cuadrado tiene 4 aberturas)

5. Inserte el protector contra pintura en el dispositivo y ajústelo hasta que esté nivelado con el techo terminado (Fig. 15). El protector contra pintura tiene indicadores para saber hasta dónde nivelar. Ajuste los tornillos con un destornillador a través de las aberturas (Fig. 16).

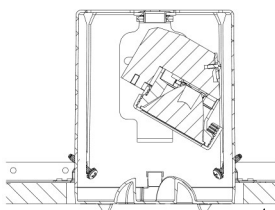


Fig. 15

Protector contra pintura ↑ Techo

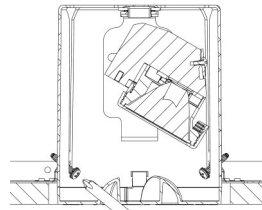
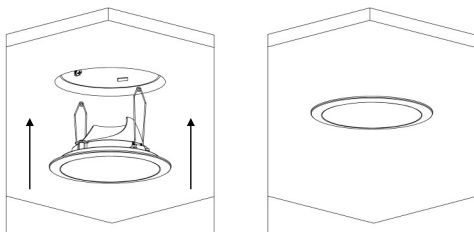


Fig. 16

Utilice un destornillador Phillips n.º 2

6. Pinte/termine el techo.
7. Retire y deseche el protector. Instale el reflector.



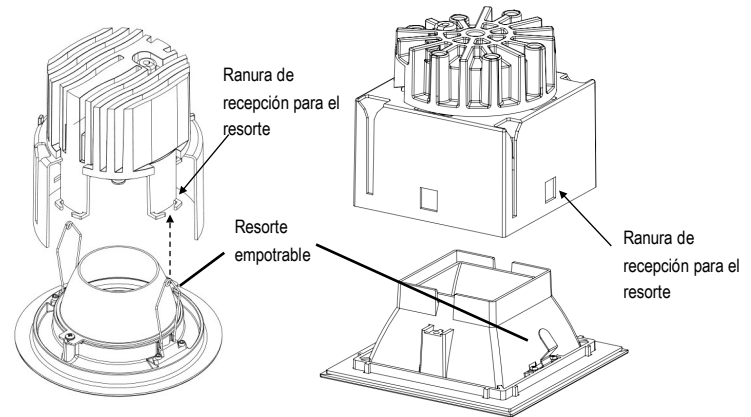
FIJAR LA DIRECCIÓN E INSTALACIÓN DE REFLECTORES

Nota: El ensamble LED debe nivelarse para una instalación adecuada.

Instale los reflectores Aculux Initia usando resortes empotrables según lo proporcionado.

1. Al instalar el reflector en el dispositivo de luz descendente, inserte los resortes empotrables en las ranuras del dispositivo y empuje el reflector hacia arriba hasta que quede al ras con el techo terminado.

Los dispositivos redondos de luz descendente permiten una rotación de 359° para la colocación de reflectores de bañador de pared.



2. Al instalar reflectores en dispositivos ajustables, dirija el mecanismo LED a la posición deseada. Permite una inclinación de 35° y una rotación de 359°.

A. Para ajustar el ángulo de dirección, use un destornillador de punta plana estándar o su mano, gire o incline el mecanismo de ajuste hasta alcanzar la posición de dirección deseada (Fig. 18).

Nota: La inclinación de los dispositivos ajustables cuadrados puede aumentar doblando la ranura de recepción de resorte de ser necesario. (Fig. 17)

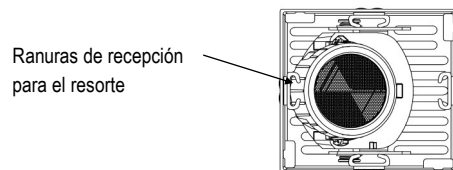


Fig. 17

- B. Al instalar el reflector, inserte los resortes empotrables en las ranuras del dispositivo y empuje el reflector hacia arriba hasta que quede al ras con el techo terminado.

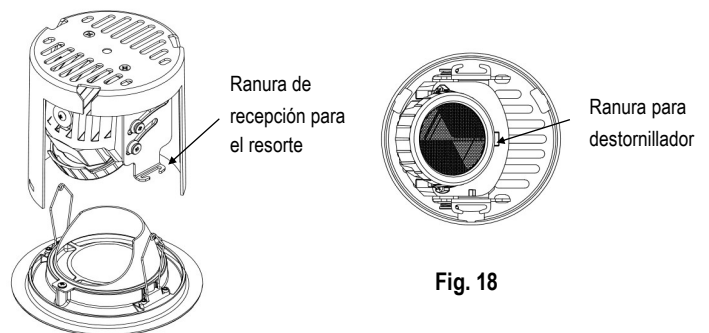


Fig. 18

INSTALACIÓN Y REEMPLAZO DE LENTES Y ÓPTICAS

Las ensambles LED de Aculux contienen un soporte de lente que acepta hasta (2) controladores de luz de vidrio o accesorios de control de color con reflectores seleccionados y películas ópticas Aculux.

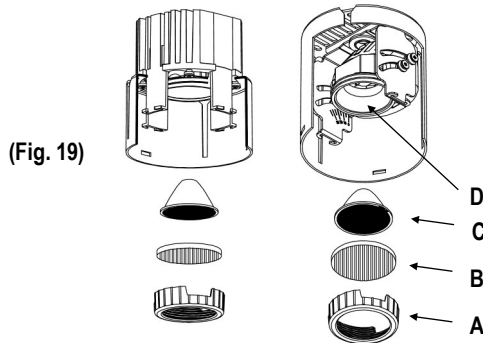
Para instalar el lente (Fig. 19):

1. Desatornille el soporte del lente externo (A) y retírelo.
2. Coloque los lentes (B) en el soporte de lente externo.
3. Alinee el soporte del lente y la óptica (C) con el soporte óptico (D) y atomíllelos para asegurarlos.

Las carcasas LED de Aculux se envían con la óptica que proporciona la extensión del haz especificada en el momento de la compra. Sin embargo, esta óptica se puede reemplazar si se desea una dispersión de haz diferente.

Para reemplazar la óptica (Fig. 19):

1. Retire el soporte de lente externo (A) como se describe en el paso 1 anterior.
2. Deseche la óptica (C) y coloque una nueva óptica en el soporte del lente.
3. Alinee el soporte del lente y la óptica (C) con el soporte óptico (D) y atomíllelos para asegurarlos.

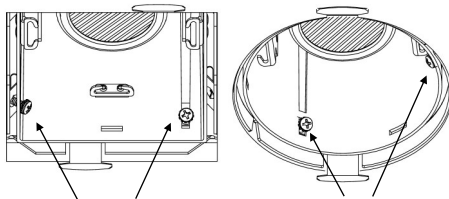


REEMPLAZO DE LED

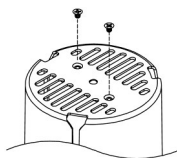
Los dispositivos Aculux están diseñados para una fácil reparación. El módulo LED puede extraerse desde el lado de la habitación para cambios, reemplazo o actualización de los LED.

Antes de realizar la reparación, desconecte o apague el suministro eléctrico al dispositivo. De no hacerlo, puede provocar descargas eléctricas o lesiones.

1. Afloje los tornillos del dispositivo, jale hacia abajo y retire el ensamble LED.



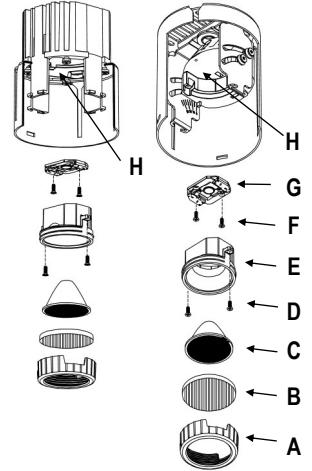
2. En dispositivos ajustables, al realizar el mantenimiento, retire los tornillos y separe el mecanismo LED de la carcasa.



REEMPLAZO DE LED (CONTINUACIÓN)

Para retirar el ensamble LED (Fig. 20)

1. Desatornille el soporte del lente externo (A) y retírelo.
2. Si corresponde, retire los lentes (B) y la óptica (C).
3. Retire la carcasa óptica (E) aflojando y quitando los tornillos (D).
4. Retire el módulo LED (G) del disipador térmico (H) aflojando y quitando los tornillos (F).



(Fig. 20)

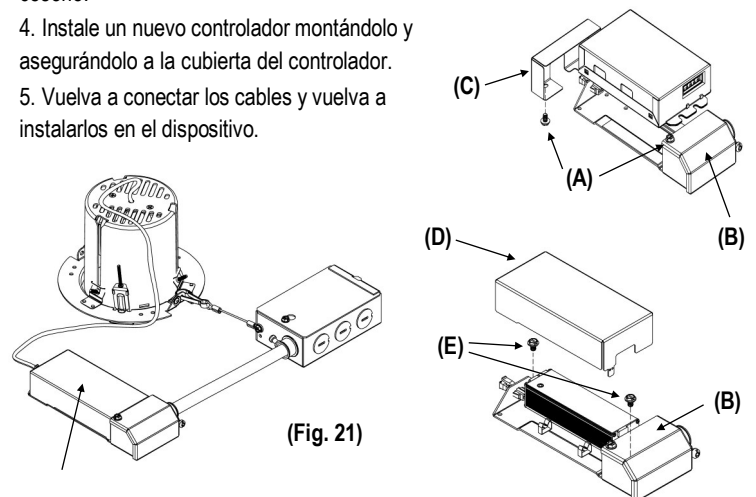
Para instalar el ensamble LED (Fig. 20)

1. De ser necesario, aplique pasta térmica de manera uniforme en la parte posterior del ensamble LED(H).
2. Vuelva a instalar el módulo LED (G), los tornillos (F), la carcasa óptica (E), los tornillos (D), la óptica (C) y el soporte del lente (A) con cualquier lente opcional (B.)
3. Instale y nivele el ensamble LED según las instrucciones.

REEMPLAZO DEL CONTROLADOR

Los dispositivos LED de Aculux permiten reemplazar el controlador led electrónico desde arriba o debajo del techo terminado. El reemplazo del controlador debe ser realizado por un electricista calificado. Antes de realizar la reparación, desconecte o apague el suministro eléctrico al accesorio. No hacerlo puede provocar descargas eléctricas o lesiones.

1. Ubique el conjunto del controlador (Fig. 21).
2. Al usar el controlador:
 - A. Controladores EZ1/ECOD/ECOS2/GZ1: Afloje y retire los tornillos (A) y las cubiertas (B) (C) que aseguran el controlador.
 - B. Controlador FPC/UGZ: Afloje y retire el tornillo (A), despliegue las lengüetas (D) y retire la cubierta. Retire dos tornillos (E).
3. Desconecte los cables del controlador y retire el conjunto del controlador del accesorio.
4. Instale un nuevo controlador montándolo y asegurándolo a la cubierta del controlador.
5. Vuelva a conectar los cables y vuelva a instalarlos en el dispositivo.



(Fig. 21)

VEUILLEZ LIRE ET RESPECTER TOUTES LES CONSIGNES DE SÉCURITÉ!

CONSERVER CES CONSIGNES ET LES REMETTRE AU PROPRIÉTAIRE APRÈS L'INSTALLATION

- Afin de réduire les risques de blessure, d'accident mortel, ou de dommage matériel en raison d'un incendie, de décharge électrique, de chute de pièces, de coupure ou d'abrasion ou de tout autre type de risque, il est essentiel de lire toutes les instructions et tous les avertissements compris dans et sur la boîte du luminaire ainsi que sur toutes les étiquettes.
- Avant l'installation, ou l'entretien particulier ou de routine de cet équipement, veuillez tenir compte de ces précautions générales.
- L'installation, les réparations et l'entretien des luminaires ne devraient être effectués que par un **électricien diplômé et qualifié**.
- L'entretien doit être effectué par des personnes qui connaissent bien la fabrication et l'utilisation des luminaires et tous les risques qu'ils comportent. Il est recommandé de mettre en place des programmes périodiques d'entretien.
- À l'occasion, il sera nécessaire de nettoyer la partie extérieure du réflecteur ou de la lentille. La fréquence du nettoyage dépend des saletés présentes dans l'environnement et du rendement lumineux minimal acceptable pour l'utilisateur. Le réflecteur et la lentille doivent être lavés dans une solution d'eau tiède avec un détergent ménager doux et non-abrasif, rincés à l'eau claire puis essuyés pour être séchés. En cas d'accumulation de saletés à l'intérieur de l'assemblage optique, essuyer le réflecteur ou les lentilles et les nettoyer comme indiqué ci-dessus, en remplaçant les joints endommagés au besoin.
- **N'INSTALLEZ PAS UN PRODUIT ENDOMMAGÉ!** Ce luminaire a été adéquatement emballé, de sorte qu'aucune pièce ne devrait avoir subi de dommage pendant le transport. Inspecter pour confirmer que toutes les pièces soient en bon état. Toute pièce endommagée ou brisée pendant ou après l'assemblage devrait être remplacée.
- Recyclage : Pour tout renseignement sur la manière de recycler les produits électroniques DEL, visitez le site www.epa.gov.
- Ces instructions ne sont pas censées traiter de tous les détails ou de toutes les variations de l'équipement. Elles ne fournissent pas d'information sur toutes les éventualités possibles en ce qui concerne l'installation, l'utilisation ou l'entretien. Pour obtenir plus d'informations ou pour résoudre des problèmes qui sont insuffisamment traités dans les consignes de sécurité par rapport aux besoins de l'acheteur ou du propriétaire, veuillez soumettre ces questions à Acuity Brands Lighting, Inc.



AVERTISSEMENT RISQUE DE DÉCHARGES ÉLECTRIQUES:

- ✓ Débrancher ou couper l'alimentation électrique avant l'installation ou l'entretien.
- ✓ Vérifier que la tension d'alimentation est adéquate en la comparant avec les informations imprimées sur l'étiquette du luminaire.
- ✓ Effectuer tous les raccordements électriques et la mise à la terre conformément aux exigences du Code canadien de l'électricité (CCE) et de tout code local applicable.
- ✓ Tous les raccordements câblés doivent être isolés avec des capuchons de connexion reconnus et certifiés UL.



AVERTISSEMENT RISQUE DE BRÛLURE

- ✓ Laisser la lampe ou la fixation refroidir avant de la manipuler. Ne pas toucher l'enceinte ou la source de lumière.
- ✓ Ne pas dépasser la puissance maximum indiquée sur l'étiquette de la lampe.
- ✓ Respecter les avertissements, les recommandations et les restrictions du fabricant, en ce qui concerne notamment : les lampes pour le circuit d'attaque, la position de fonctionnement, les méthodes/endroits de montage, le remplacement et le recyclage.



MISE EN GARDE RISQUE DE BLESSURE

- ✓ Porter des gants et des lunettes de protection à tout moment pour sortir le luminaire de la boîte, l'installer, le réparer ou en faire l'entretien.
- ✓ Éviter le contact direct de la source de lumière avec les yeux lorsque le luminaire est allumé.



MISE EN GARDE RISQUE D'INCENDIE

- ✓ Maintenir toutes matières combustibles ou susceptibles de brûler à l'écart des lampes et des optiques.
- ✓ Ne pas utiliser le dispositif à proximité de personnes, de matériaux combustibles ou de substances affectées par la chaleur ou par le séchage.



ATTENTION : RISQUE D'ENDOMMAGEMENT DU PRODUIT

- ✓ Ne jamais connecter des composants sous charge.
- ✓ Ne pas monter ni soutenir ces luminaires d'une manière qui pourrait couper la gaine extérieure ou endommager l'isolation des câbles.
- ✓ La compatibilité des commandes pour la gradation, l'autodétection ou la télécommande d'un luminaire qui ne sont pas câblées en usine doit être vérifiée avant l'installation. Les fixations DEL doivent être alimentées directement hors d'un circuit à interrupteur.
- ✓ À moins que des spécifications particulières applicables au produit ne l'exigent : ne pas limiter la ventilation du luminaire. Laisser un espace libre suffisant autour du luminaire. Éviter de couvrir les fixations DEL avec un isolant, de la mousse ou tout autre matériau pouvant limiter le refroidissement par conduction ou par convection.
- ✓ À moins que des spécifications particulières applicables au produit ne l'exigent : ne pas dépasser la température ambiante maximale à laquelle le luminaire peut être exposé.
- ✓ N'utiliser le luminaire qu'à son emplacement prévu.
- ✓ Les produits DEL sont sensibles à la polarité. Avant le montage, assurer de respecter la polarité.
- ✓ Décharge électrostatique (DES) : une DES peut endommager les fixations DEL. Un équipement personnel de mise à la terre doit être porté lors de tout montage ou de tout entretien de l'unité.
- ✓ Ne touchez pas les composants électriques individuels, car cela peut causer une DES, réduire la durée de vie de la lampe ou altérer ses performances.
- ✓ Certains composants internes des luminaires peuvent ne pas être réparables. Dans le cas peu probable où l'appareil aurait besoin d'une réparation, immédiatement cesser de l'utiliser et faire appel à un représentant ABL.
- ✓ Toujours lire toutes les instructions d'installation des appareils avant l'installation pour les autres avertissements spécifiques de l'appareil.
- ✓ Toujours s'assurer que le système de distribution électrique répond aux exigences de NEC (et de tout code local applicable).
- ✓ Vérifier que le système de distribution électrique a une mise à la terre appropriée. Une mauvaise mise à la terre peut entraîner une défaillance du luminaire et annuler la garantie.

Tous les luminaires qui contiennent des dispositifs électroniques générant des fréquences supérieures à 9 kHz à partir d'un composant situé à l'intérieur du luminaire sont conformes à la partie 15 des règles de la Commission fédérale des communications. Son fonctionnement est assujéti aux deux conditions suivantes :

- (1) Ce dispositif ne peut pas causer d'interférence nuisible
- (2) Ce dispositif doit accepter n'importe quelle interférence reçue, y compris les interférences pouvant entraîner un fonctionnement non souhaité

Ce dispositif est conforme à la partie 18 des règles de la Commission fédérale des communications, mais peut provoquer des interférences avec les téléphones sans fil et portables, les radios, les télévisions et d'autres dispositifs électroniques. Pour remédier à ce problème, placer le dispositif à l'écart du luminaire ou le brancher à une prise différente. Ce produit peut provoquer des interférences avec le matériel radio et ne doit pas être installé près d'équipements de communication maritime ou de tout autre équipement important de navigation ou de communication fonctionnant entre 0,45 et 30 MHz.

Le non-respect de ces instructions peut annuler les garanties du produit. Pour consulter la liste complète des conditions d'utilisation du produit, visiter le site www.acuitybrands.com.

Acuity Brands Lighting, Inc. décline toute responsabilité pour les réclamations résultant d'installation ou de manipulation incorrecte ou imprudente de ses produits.

Avertissements généraux DEL ABL, formulaire no 503.203

AVERTISSEMENT : Pour votre sécurité, veuillez lire et comprendre complètement les instructions avant de commencer l'installation. Coupez le courant au niveau du tableau de fusibles ou du disjoncteur avant de raccorder.

REMARQUE : Les luminaires encastrés Aculux sont conçus pour répondre aux dernières exigences du NEC et sont homologués selon les normes UL en vigueur. Avant de tenter l'installation d'un luminaire encastré, vérifiez le code du bâtiment électrique local. Ce code définit les exigences de câblage et d'installation pour votre localité et doit être compris avant le début des travaux.

* Ce document a été traduit de l'anglais pour en faciliter la lecture. En cas d'incohérence entre le texte en anglais et cette traduction, le texte anglais prévaut. Toutes les marques citées appartiennent à leurs propriétaires respectifs. Les marques de commerce d'Acuity Brands Lighting qui arborent le symbole ® sont déposées aux États-Unis et peuvent l'être dans d'autres pays.

TYPE NON-IC POUR UTILISATION DANS DES PLAFONDS NON ISOLÉS

Les luminaires Aculux ne contenant pas « ICAT » (type non-IC) sont conçus pour des installations où le boîtier du luminaire et la boîte de raccordement n'entrent pas en contact avec l'isolation.* L'isolant et les matériaux combustibles doivent être à une distance d'au moins 3 po du boîtier du luminaire et de la boîte de raccordement. Le clignotement ou l'extinction de la lumière pendant l'utilisation indique un état de surchauffe qui peut être causé par un matériau isolant trop proche du luminaire ou qui le recouvre.

Attention : Ne pas remédier à une situation de surchauffe peut entraîner un incendie et des blessures graves.

* Au Canada, quand il y a de l'isolation, il faut utiliser des luminaires de type IC.

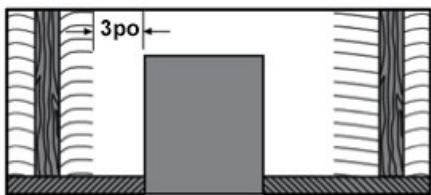


Fig. 1

HOMOLOGUÉ ENERGY STAR



Les luminaires Aculux Initia sont homologués Energy Star avec certaines configurations. Reportez-vous au site Web d'Aculux pour plus d'informations.

GARANTIE

Garantie limitée de 5 ans.

Conditions de garantie complètes sur :

http://www.acuitybrands.com/CustomerResources/Terms_and_conditions.aspx

COMPATIBILITÉ DE VARIATEUR ET CÂBLAGE

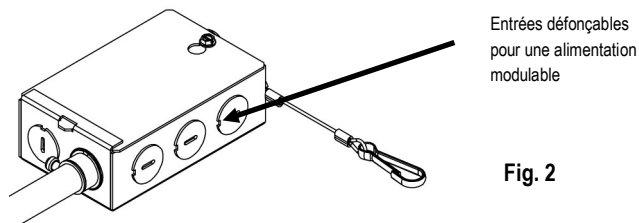


Fig. 2

Tous les luminaires Aculux sont équipés d'une boîte de raccordement intégrée qui permet de brancher le courant au luminaire.

Tous les boîtiers Aculux sont également pré-câblés avec des connecteurs pression homologués UL pour le branchement de l'alimentation du circuit de dérivation et des conducteurs de terre du luminaire. Ces connecteurs pression permettent de brancher un maximum de deux fils de cuivre 12 AWG ou 14 AWG à chaque conducteur du luminaire et à la terre.

1. Alimentez en électricité modulable la boîte de raccordement Aculux située sur le cadre en plâtre du luminaire conformément à votre code électrique local. L'isolation du câblage d'alimentation doit posséder une température nominale d'au moins 90 °C.
2. Veillez à ce que la longueur de l'alimentation électrique soit suffisante pour permettre le service à travers l'ouverture du plafond depuis le côté de la pièce si nécessaire.
3. Retirez le couvercle de la boîte de raccordement et faites le branchement électrique comme suit : (Fig. 2)
 - a. Conduit souple en métal : Retirez la ou les entrées défonçables nécessaires et raccordez le conduit souple à la boîte de raccordement avec les raccords appropriés (non fournis).
 - b. Câble sous gaine non métallique (type NM-B) : Retirez la ou les entrées défonçables nécessaires et raccordez le câble à la boîte de raccordement avec les raccords appropriés (non fournis).
4. Dénudez les fils d'alimentation et de terre du circuit de dérivation de 3/8 po et insérez-les dans le connecteur pression du fil correspondant, comme indiqué dans le schéma de câblage correspondant.
5. Placez tous les fils et les branchements dans la boîte de raccordement et remettez le couvercle.

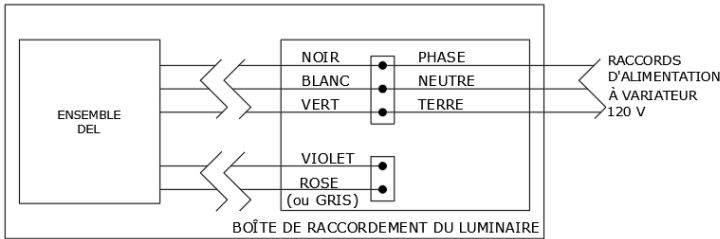
COMPATIBILITÉ DE VARIATEUR ET CÂBLAGE (SUITE)

Les luminaires Aculux Initia fonctionnent avec des circuits de commande des DEL électroniques qui sont compatibles avec la plupart des variateurs à incandescence, basse tension magnétique, basse tension électronique et basse tension 0-10 V. Reportez-vous au document sur la compatibilité des variateurs affiché sur le site Web pour en savoir plus sur la compatibilité des différents modèles de variateurs.

Luminaire UGZ MVOLT :

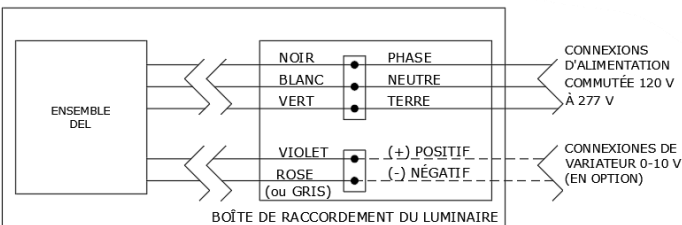
Pour une **entrée de 120 VCA** et des variateurs à **incandescence, magnétiques basse tension ou électroniques basse tension** (remarque : les variateurs électroniques basse tension doivent être branchés à un fil neutre sur le variateur) :

SCHÉMA DE CÂBLAGE POUR VARIATEUR DE LA TENSION



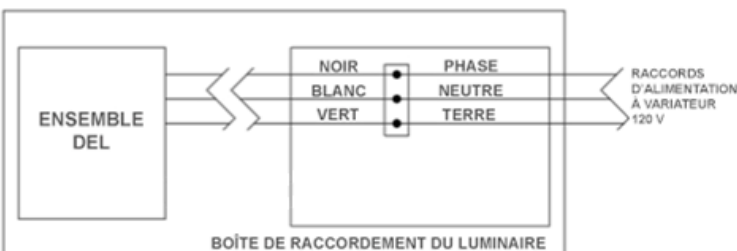
Pour une **entrée de 120 VCA à 277 VCA** et des commandes **standard 0-10 VCC** (remarque : cela requiert une alimentation d'entrée commutée avec des fils de commande basse tension séparés). Cette configuration peut également être appliquée pour les tensions **d'entrée commutées de 120 VCA à 277 VCA** uniquement lorsque les fils du variateur ne sont pas connectés au luminaire :

SCHÉMA DE CÂBLAGE POUR VARIATEUR 0-10 V



Luminaire FPC 120 :

Pour une **entrée de 120 VCA** et des variateurs à **incandescence, magnétiques basse tension ou électroniques basse tension** (remarque : les variateurs électroniques basse tension doivent être branchés à un fil neutre sur le variateur) :

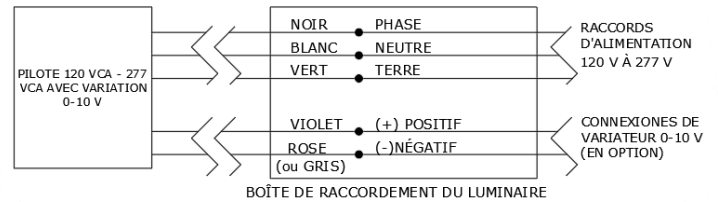


COMPATIBILITÉ DE VARIATEUR ET CÂBLAGE (SUITE)

Luminaires EZ1 MVOLT et GZ1 MVOLT :

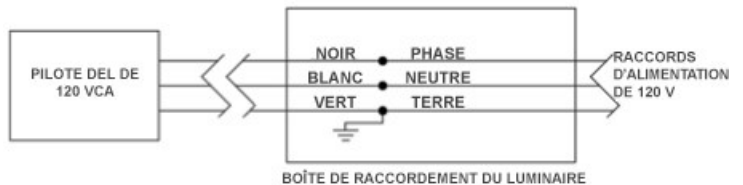
Boîtiers à tension d'entrée universelle (120VAC à 277VAC) avec eldoLED ECO-drive (EZ1) ou pilotes de gradation génériques (GZ1) 1% avec courbe de gradation linéaire.

Gradable avec l'utilisation de gradateurs, interrupteurs et systèmes de contrôle 0-10V approuvés.



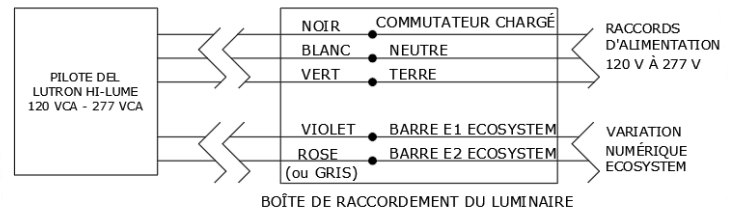
Luminaire ECOS2 120 :

Boîtiers d'entrée 120 VCA avec pilote Lutron^{MD} Hi-Lume^{MD} Série A pour utilisation avec les commandes de phase avant homologuées par Lutron^{MD}. Remarque : Ces commandes nécessitent un branchement de fil neutre au variateur.



Luminaire ECOD MVOLT :

Boîtiers à tension d'entrée universelle (120 VCA à 277 VCA) avec pilote Lutron^{MD} Hi-Lume^{MD} pour utilisation avec les commandes numériques Ecosystem homologuées par Lutron^{MD}.



FIXATION DU LUMINAIRE

1. Découpez la forme au plafond.

A. Luminaire rond : Coupez une ouverture de 4-1/4 po de diamètre dans le plafond, qui sera légèrement plus grande que le diamètre extérieur de l'anneau de montage.

B. Luminaire carré : Ouverture carrée au plafond de 4 x 4 po

2. Repliez l'anneau de montage en deux (Fig. 3) et insérez-le dans l'ouverture du plafond (Fig. 4).

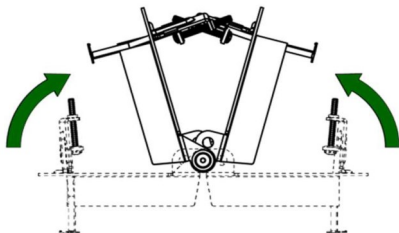


Fig. 3

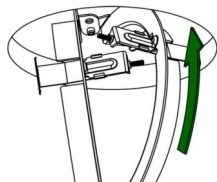


Fig. 4

3. Placez l'anneau de montage sur l'ouverture du plafond et dépliez, en insérant le col d'ouverture dans l'ouverture jusqu'à ce que la bride de l'anneau soit au ras du côté du plénum du plafond (Fig. 5).

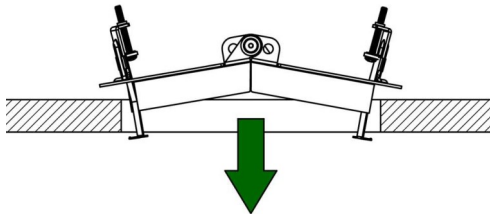


Fig. 5

4. Serrez les vis de serrage pour fixer l'anneau de montage au plafond à l'aide de ressorts de serrage (Fig. 6).

5. Utilisez un tourne-écrou 1/4 po pour retirer le couvercle de la boîte de raccordement. Retirez ensuite un trou sur la boîte de raccordement pour alimenter le luminaire (non illustré).

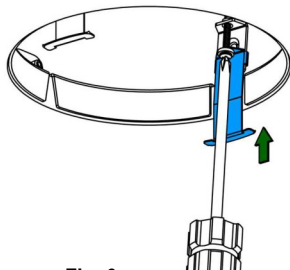
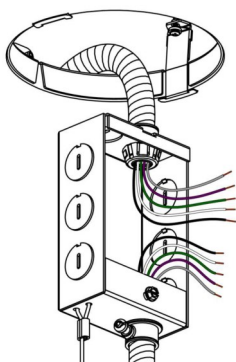


Fig. 6

6. Tirez les fils d'alimentation et le conduit à travers l'ouverture et raccordez-les à la boîte de raccordement (Fig. 7).

Effectuez les épissures nécessaires selon le schéma de câblage pour les options du circuit de commande DEL sélectionnées.



LES CÂBLES D'ALIMENTATION

CONDUISANT À L'ENSEMBLE DU PILOTE

Fig. 7

FIXATION DU LUMINAIRE (SUITE)

Le fil d'alimentation doit être conforme aux codes de l'électricité applicables et avoir une température nominale d'au moins 90 °C. Les fils de commande appropriés doivent être fournis par l'installateur conformément à l'option de commande sélectionnée.

7. Poussez tous les fils à l'intérieur de la boîte de jonction, remplacez le couvercle et fixez à l'aide d'une vis (non illustrée).

8. Connectez la fiche d'entrée de la DEL à la fiche de sortie du pilote. Veillez à ce que l'orientation et la polarité des fiches soient correctes lors du raccordement (Fig. 8).

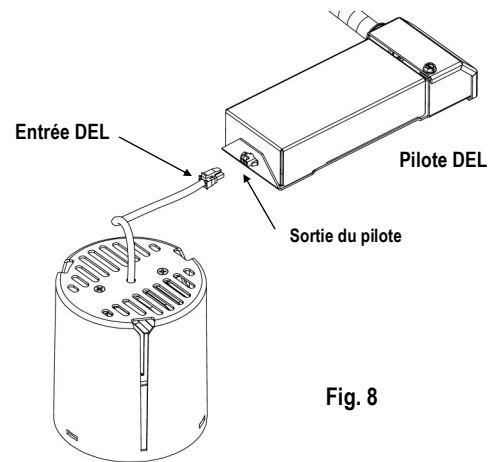


Fig. 8

9. Fixez le cordon de sécurité de la boîte d'épissage d'un côté de l'anneau de montage (Fig. 9).

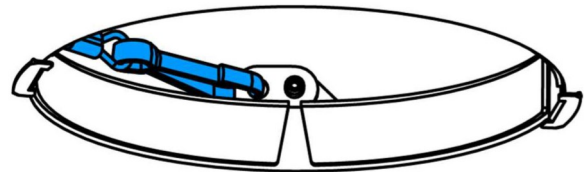


Fig. 9

10. Poussez le conduit d'alimentation et la boîte de raccordement à travers l'ouverture et dans le plénum de raccordement, puis l'ensemble du pilote et l'ensemble DEL (Fig. 10).

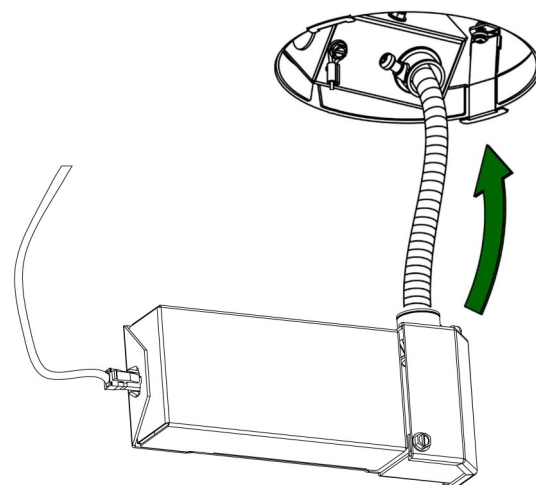


Fig. 10

NIVELLEMENT DU LUMINAIRE

Les luminaires Aculux Initia sont livrés avec un cache-peinture/jauge qui permet de mettre à niveau l'ensemble DEL en fonction de la finition du plafond.

1. Assurez-vous que le luminaire est hors tension.
2. Retirez le cache-peinture du luminaire (Fig. 11).
3. Desserrez les vis. L'ensemble DEL doit pouvoir se déplacer de haut en bas (Fig. 12).

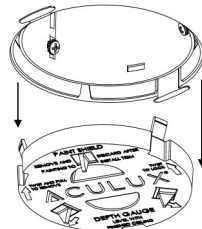
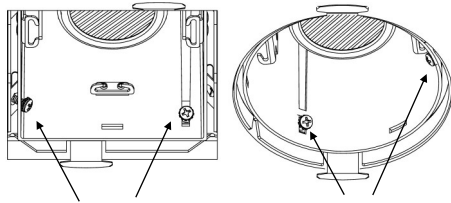


Fig. 11

Fig. 12
 (le luminaire rond a 3 vis, le luminaire carré a 4 vis)

4. Les cache-peinture ont un système de vissage facilement accessible (Fig. 13). Poussez les ouvertures avec les doigts ou avec un tournevis jusqu'à ce qu'elles soient complètement ouvertes. Recommencez avec toutes les ouvertures (Fig. 14).

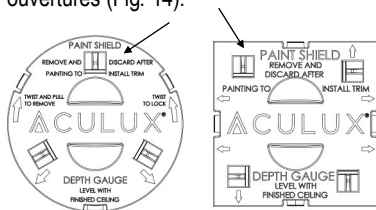


Fig. 14

Fig. 13
 (le cache-peinture rond a 3 ouvertures, le cache-peinture carré a 4 ouvertures)

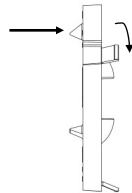


Fig. 13

5. Insérez le cache-peinture dans le luminaire et ajustez le luminaire jusqu'à ce qu'il soit au niveau du plafond fini (Fig. 15). Le cache-peinture est muni d'indicateurs de niveau. Serrez les vis avec un tournevis à travers les ouvertures (Fig. 16).

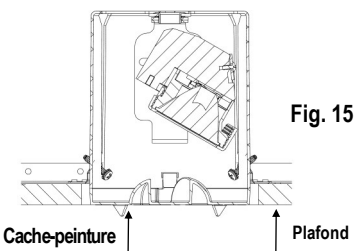


Fig. 15

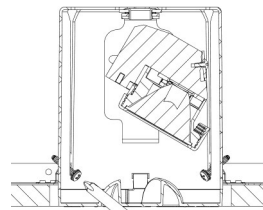
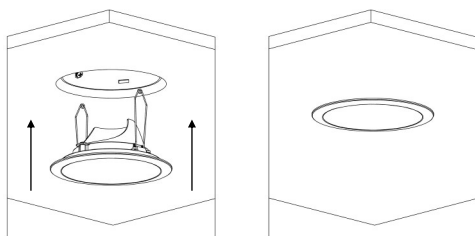


Fig. 16

Utilisez un tournevis cruciforme n° 2

6. Peinture / finition du plafond.
7. Retirez et jetez le cache. Installez la garniture.



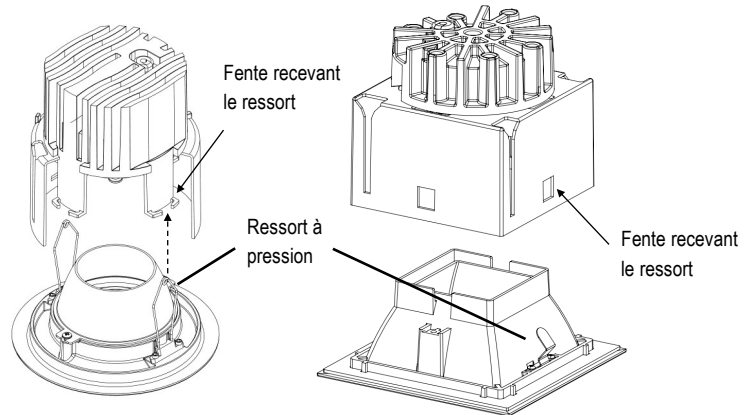
RÉGLAGE ET INSTALLATION DE LA GARNITURE

Remarque : L'ensemble DEL doit être mis à niveau pour pouvoir installer correctement la garniture.

Installez les garnitures Aculux Initia avec les ressorts à pression fournis.

1. Pour installer une garniture dans un plafonnier, insérez les ressorts dans les fentes du plafonnier et poussez la garniture vers le haut jusqu'à ce qu'elle affleure le plafond fini.

Les plafonniers ronds peuvent pivoter de 359° pour fixer les garnitures au mur.



2. Pour installer une garniture dans les luminaires réglables, orientez le mécanisme de l'ensemble DEL vers la position souhaitée. Il peut être incliné de 35° et peut pivoter de 359°.

A. Pour ajuster l'angle de réglage, utilisez un tournevis plat standard ou votre main, tournez ou inclinez le mécanisme de réglage jusqu'à ce que la position de réglage souhaitée soit atteinte (Fig. 18).

Remarque : L'inclinaison des luminaires carrés réglables peut être augmentée en pliant la fente recevant le ressort si nécessaire (Fig. 17).

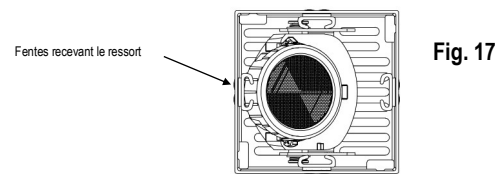


Fig. 17

B. Pour installer une garniture dans un plafonnier, insérez les ressorts dans les fentes du plafonnier et poussez la garniture vers le haut jusqu'à ce qu'elle affleure le plafond fini.

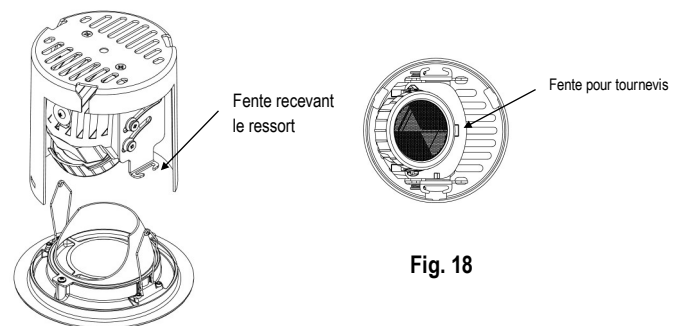


Fig. 18

INSTALLATION ET REMPLACEMENT DE LENTILLES ET D'OPTIQUES

Les boîtiers DEL Aculux sont équipés d'un porte-lentille qui peut accueillir un maximum de (2) accessoires de commande en verre de la lumière ou de commande des couleurs, avec des garnitures sélectionnées et des films optiques Aculux.

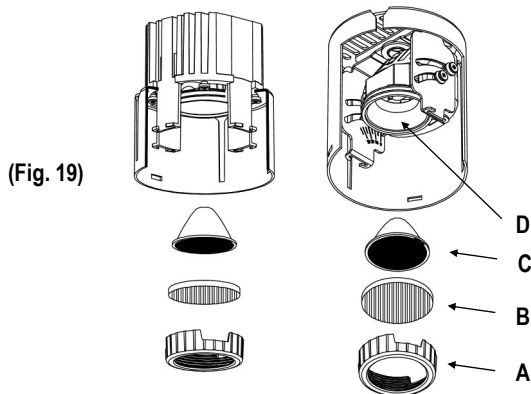
Pour installer la lentille (Fig. 19) :

1. Dévissez le porte-lentille extérieur (A) et retirez-le.
2. Placez les lentilles (B) dans le porte-lentille extérieur.
3. Alignez le porte-lentille et l'optique (C) avec le porte-optique (D) et vissez pour fixer.

Les boîtiers Aculux DEL sont livrés avec un optique offrant l'étendue du faisceau spécifiée au moment de l'achat. Toutefois, il est possible de remplacer cet optique si l'on souhaite une autre répartition du faisceau.

Pour remplacer l'optique (Fig. 19) :

1. Retirez le porte-lentille extérieur (A) comme décrit à l'étape 1 ci-dessus.
2. Jetez l'optique (C) et placez le nouvel optique dans le porte-lentille.
3. Alignez le porte-lentille et l'optique (C) avec le porte-optique (D) et vissez pour fixer.

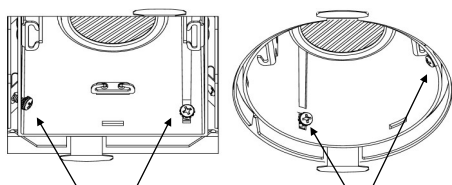


REPLACEMENT DE LA DEL

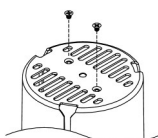
Les luminaires Aculux peuvent être entretenus facilement. Le module DEL peut être démonté du côté de la pièce pour changer, remplacer ou rénover les DEL.

Avant de procéder à l'entretien, débranchez ou coupez l'alimentation électrique du luminaire. Tout manquement à cette consigne peut provoquer un choc électrique ou des blessures.

1. Desserrez les vis du luminaire, tirez vers le bas et retirez le module DEL.



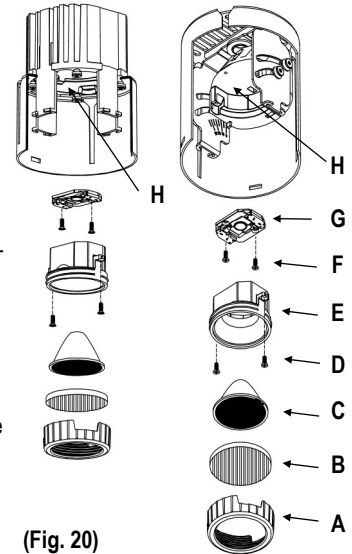
2. Pour l'entretien des luminaires réglables, retirez les vis et détachez le mécanisme DEL de l'ensemble DEL.



REPLACEMENT DE LA DEL (SUITE)

Pour retirer l'ensemble DEL (Fig. 20)

1. Dévissez le porte-lentille extérieur (A) et retirez-le.
2. Le cas échéant, retirez les lentilles (B) et l'optique (C).
3. Démontez le boîtier optique (E) en desserrant et en retirant les vis (D).
4. Retirez le module DEL (G) du dissipateur (H) en desserrant et en retirant les vis (F).



Pour installer l'ensemble DEL (Fig. 20)

1. Si nécessaire, appliquez uniformément un lubrifiant thermique sur la face arrière de l'ensemble DEL (H).
2. Réinstallez le module DEL (G), les vis (F), le boîtier de l'optique (E), les vis (D), l'optique (C) et le porte-lentille (A) avec les lentilles optionnelles (B).
3. Installez et mettez à niveau l'ensemble DEL selon les instructions.

REPLACEMENT DU PILOTE

Les luminaires à DEL Aculux permettent de remplacer le pilote électronique à DEL au-dessus ou au-dessous du plafond fini. Le remplacement du pilote doit être effectué par un électricien qualifié. Avant de procéder à l'entretien, débranchez ou coupez l'alimentation électrique du luminaire. Tout manquement à cette consigne peut provoquer un choc électrique ou des blessures.

1. Repérez l'assemblage du pilote (Fig. 21).
2. Si vous utilisez un pilote :
 - A. Pilotes EZ1 / ECOD / ECOS2 / GZ1 : Desserrez et retirez les vis (A) et les couvercles (B) (C) qui fixent le pilote.
 - B. FPC / UGZ : Desserrez et retirez les vis (A), dépliez les languettes (D) et retirez le couvercle. Retirez les deux vis (E).
3. Débranchez les fils du pilote et retirez l'ensemble du pilote du luminaire.
4. Installez le nouveau pilote en le fixant sur le couvercle du pilote.
5. Rebranchez les fils et réinstallez-les dans le luminaire.

