

## INSTALLATION INSTRUCTIONS

### IMPORTANT

READ CAREFULLY BEFORE INSTALLING FIXTURE.

RAB Wallpacks must be wired in accordance with the National Electrical Code and applicable local codes. Proper grounding is required for safety.

Wallpacks are for outdoor use and should not be used in areas with limited ventilation or high-ambient temperatures. All work should be done by a qualified electrician.

**WARNING:** Make certain power is OFF before installing or maintaining fixture.

### LOCATION

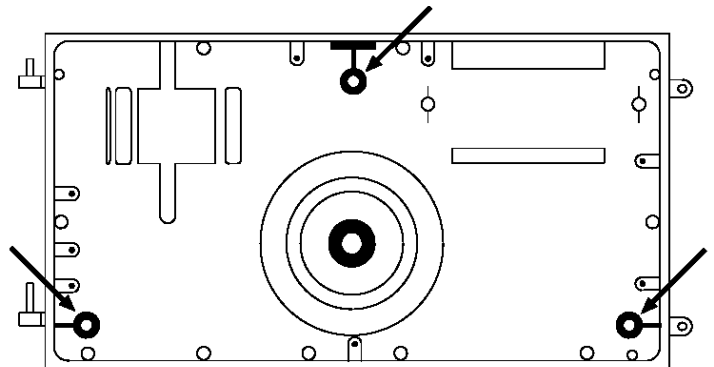
Fixture should be located on wall at least 18" below any overhang or other structural detail.

Fixture should not be recessed. Fixture must be positioned with lamp in horizontal position.

### MOUNTING

1. Remove the lens and reflector.
2. Prepare the backplate for use by drilling out the appropriate holes. **Note:** on the WP4, standoffs should be drilled from the back of the fixture.
3. Line up the backplate in desired location and mount securely.
4. Complete the wiring to the power source and ground (see wiring instructions).
5. Replace the reflector, install the lamp and mount the lens.
6. To insure weatherproof seal make sure all holes (mounting, plugs, conduit, etc.) are sealed with weatherproof silicone sealant.

**NOTE:** There are 3 standoffs provided for lagging into the mounting structure.



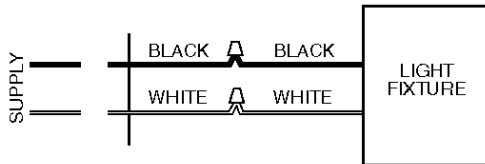
# RAB

## INSTALLATION INSTRUCTIONS

(continued)

### WIRING

Units built for a specific voltage are factory-wired. Make sure the supply voltage is compatible with the unit. Multi tap units may be used with a choice of 120v, 208v, 240v and 277v, provided that proper transformer leads are connected in the field.

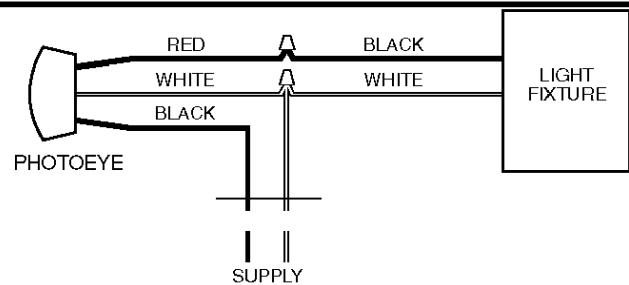


1. Connect the appropriate voltage black fixture lead to the black supply lead.
2. Connect the white fixture lead to white supply lead.
3. Fixture ground screw must be connected to supply ground.
4. All unused leads must be capped and insulated.

### PHOTOEYE INSTALLATION

A photoeye control may installed in the field.

1. Remove lens and reflector
2. Remove close up plug on top of fixture.
3. Install Photoeye as per diagram.



### RE-LAMPING

**Caution:** Prior to installing, check that the lamp is of proper type and wattage. Observe lamp manufacturer's recommendations on lamp operation, ballast type and burning positions.

1. Disconnect power.
2. Make sure fixture and lamp are cool enough to touch.
3. Loosen two screws holding lens frame.
4. Open lens by swinging door to the left, letting hinge hold lens.
5. Replace lamp.
6. Close lens and re-install screws.

### ATTACHING SHIELD and/or WIRE GUARD

Optional Lexan shield or wire guard is attached over the glass refractor by means of 4 the self-tapping screws supplied. The screws fit into blind holes cast

into the lens frame.

**Note:** Polycarbonate shield and wire guard can not be used together.

### CLEANING

**Caution:** Be sure fixture temperature is cool enough to touch. Be sure power is off.

Clean Reflector and lens with a cloth moistened with non abrasive glass cleaning solution.

### TROUBLESHOOTING CHECKLIST

**Check that:**

1. Proper lamp is installed. Lamp is not faulty.
2. Line voltage at the fixture is proper.
3. Fixture is wired properly.
4. Fixture is grounded properly.

RAB Electric Manufacturing, Inc.  
170 Ludlow Avenue  
Northvale, New Jersey 07647-0970 U.S.A.  
201 784 8600  
201 784 0077 (Fax)

THESE INSTRUCTIONS DO NOT COVER ALL DETAILS OR VARIATIONS IN EQUIPMENT, NOR DO THEY PROVIDE FOR EVERY POSSIBLE CONTINGENCY TO BE MET IN CONNECTION WITH INSTALLATION, OPERATION OR MAINTENANCE.