



WP1FCSH70QT



JOB NAME: _____
 DATE: _____
 TYPE: _____

DESCRIPTION

Fully shielded, Full Cutoff Wallpack for higher wattages! Full Cutoff optics with flat tempered glass lens. EZ mount knockouts for easy wiring. Lamp supplied.

SPECIFICATIONS

Finish:

Chip and fade resistant polyester powder coating.

Housing:

Die cast aluminum, 1/2" NPS tapped top, both sides and back for conduit or photocontrol. Hinged refractor. Continuous one piece silicone rubber gasket.

Reflector:

Semi-Specular anodized aluminum, removable for installation. Symmetrical light pattern maximizes distance between fixtures.

UL Listing:

Suitable for wet locations. HID fixtures can be wired with 90° C supply wiring if supply wires are routed 3" away from the ballast.

Conduit Openings:

Top, side, back and bottom

Cradle:

Capacitor cradle for better heat absorption.

Mounting:

Knockouts for easy wall box mounting

Patents:

Pat. D561,377

Quad Tap:

Fixture works with 120, 208, 240 and 277 Volts

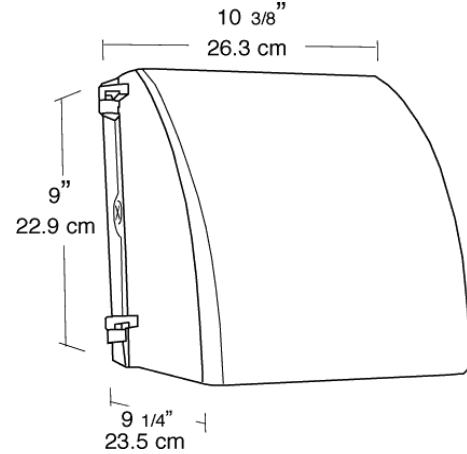
Color:

Bronze

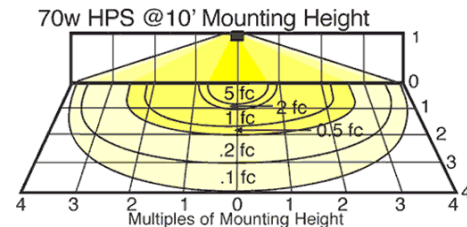
Weight:

11.15

DIMENSIONS



PHOTOMETRIC



| Mounting Height | Multiplier | Watts | Multiplier HPS | Multiplier MH | CFL |
|-----------------|------------|-------|----------------|---------------|-----|
| 8' | 1.6 | 100 | 1.5 | 1.4 | |
| 10' | 1.0 | 70 | 1.0 | .9 | |
| 12' | .7 | 50 | .6 | .5 | |
| 16' | .4 | 35 | .4 | .5 | |
| 20' | .25 | 42 | | .5 | |

ORDERING INFORMATION

High Pressure Sodium
 Lamp supplied with fixture

| Total Watts | Lamp Type | Lamp Base | Ballast |
|-------------|-----------|-----------|-----------|
| 70 | ED17 | Medium | HX-HPF QT |

| Starting Amps/ Operating Amps | | | | Input Watts | LAMP ANSI | Initial Lumens | Lamp Hours |
|-------------------------------|-------|-------|-------|-------------|-----------|----------------|------------|
| 120V | 208V | 240V | 277V | | | | |
| .8/.9 | .5/.5 | .4/.4 | .4/.4 | 91 | S62 | 6400 | 24000 |

Factory Installed Options
 Add suffix to Catalog Number

Tamperproof screws (/TP)
 Swivel Photocontrol (/PCS)
 Single fusing for 120 and 277 volt (/F)

Button Photocontrol wired for 208 - 277 volt (/PC2)
 Button Photocontrol (/PC)

Note: Specifications may change without notice