

VAPORPROOF GLOBES



Upgrade, replace or customize with globes in a wide selection of colors and shapes.

Crystal Lime glass in 2 sizes and six colors

Industry standard 3 5/32" or 4 5/32" threads

Unbreakable Polycarbonate

Colors available for signaling or decorative applications

Round Bottom Glass

Threaded glass globes fit RAB and other standard Vaporproof fixtures and Lawn Lights.



Clear



Opal

Ruby

Blue



Green

Amber



Mix colored globes with white, black or gray fixture finishes for special applications like emergency call boxes (blue) or fire indicators (red).



Catalog Numbers

Color	150 watts	300 watts*
Clear	GL100	GL200
	100 watts	200 watts*
Opal	GL100W	GL200W
Ruby	GL100R	GL200R
Blue	GL100B	GL200B
Green	GL100G	GL200G
Amber	GL100A	GL200A

*Maximum wattage:

See Vaporproof fixtures on pages 146-151 for maximum wattage of each globe with each fixture.

Specifications

UL Listing:

Suitable for wet locations when used with RAB Vaporproof fixtures. Suitable for dry, damp or wet locations when used as replacement globes for listed fixtures. Fixtures must be installed with lamp base up when outdoors.

Glass Globes:

Clear thermal shock resistant soda lime glass standard

Plastic Globes:

Impact resistant UV stabilized polycarbonate

*Maximum wattage:

See Vaporproof fixtures on pages 146-151 for maximum wattage of each globe with each fixture.

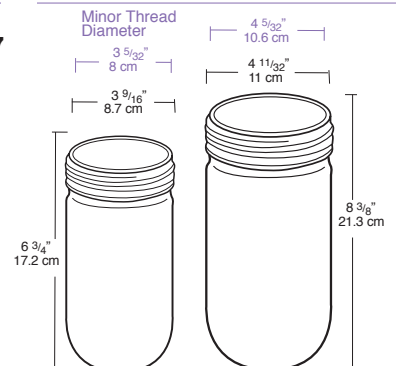
Patents:

The designs of RAB products are protected under U.S. and international intellectual property laws.

Info Online 24/7

Spec Sheets, Installation Manuals, Wiring Diagrams & Photometrics 24/7
www.rabweb.com > click "PRODUCTS"

Dimensions



Permaglobes

Unbreakable Polycarbonate threaded globes to fit RAB and other standard size Vaporproof fixtures. Lamp base up only. Observe wattage restrictions for each fixture on pages 128-131.



Clear



Opal

Ruby

Blue



Green

Amber

Prismatic Globes

Prismatic glass globes hide the light source and allow maximum light output in RAB and other standard size Vaporproof fixtures.



Heat Resistant

Highly tempered crystal lime glass to withstand high ambient temperatures in RAB and other standard size Vaporproof fixtures. Standard threads.



Ball Globe

Decorative Ball shaped threaded opal white globe in both glass and unbreakable polycarbonate to fit RAB 100 Series Vaporproof fixtures.



Color	75 watts*	100 watts*
Clear	GL100PG	GL200PG
Opal	GL100PGW	GL200PGW
Ruby	GL100PGR	GL200PGR
Blue	GL100PGB	GL200PGB
Green	GL100PGG	GL200PGG
Amber	GL100PGA	GL200PGA

Color	150 watts	300 watts*
Prismatic	GL100PRIS	GL200PRIS

Color	150 watts	300 watts*
Clear	GL100HR	GL200HR

Material	Watts	Catalog #:
Glass	150	GL100BO
Poly	75	GL100BPGO

***Maximum wattage:**

See Vaporproof fixtures on pages 146-151 for maximum wattage of each globe with each fixture.

