

VAN3S35W/PC

JOB NAME: _____

DATE: _____

TYPE: _____

DESCRIPTION

Medium size ceiling mount fixture: 35, 50 and 70 watt HPS, 50 and 70 watt Metal Halide. Housing is die cast aluminum with clear vandalproof polycarbonate refractor. Quartz Restrike models available. Lamps supplied.

SPECIFICATIONS

Conduit Entry:

1/2"

HID Quartz restrike:

Add suffix "/QR" to Van3 (50w restrike) or Van5 (100w restrike) for HOT restrike. Provides immediate illumination in case of momentary power failure

Housings:

Die cast aluminum with powder coat bronze or white finish

Reflectors / Backplate:

Heavy gauge cold rolled steel with high reflectance baked white enamel

Refractor:

Injection molded polycarbonate, designed for maximum structural strength

Sockets:

Medium base 4kv Pulse Rated Glazed porcelain

Screws:

Tamperproof center pin Torx-head and slotted Phillips head stainless steel screws provided. Be sure to order your Torx screwdriver (Catalog # VANDRIVER)

UL Listing:

Suitable for wet locations. Fixtures can be wired with 90° C supply wiring if supply wires are routed 3" away from ballast.

Patents:

RAB sensor and fixture designs are protected under U.S. and International Intellectual Property laws

Photocontrol:

Button Photocontrol installed and wired for 120V

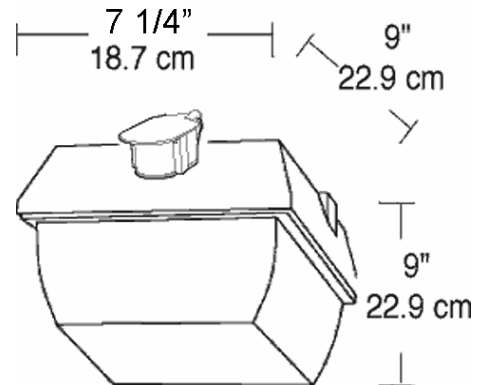
Color:

White

Weight:

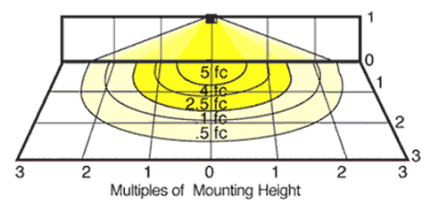
7.63

DIMENSIONS



PHOTOMETRIC

70w HPS @ 8' Mounting Height



Mounting Height	Multiplier	Multiplier		
		Watts	HPS	MH CFL
8'	1.0	26		.3
9'	.8	32		.4
10'	.7	42		.5
12'	.4	35	.4	
14'	.3	50	.6	.5
		70	1.0	.9

ORDERING INFORMATION

High Pressure Sodium
Lamp supplied with fixture

Total Watts	Lamp Type	Lamp Base	Ballast
35	ED17	Medium	R-NPF 120V

Starting Amps/ Operating Amps			
120V	208V	240V	277V
1.4	0.9		

Input Watts	LAMP ANSI	Initial Lumens	Lamp Hours
46	S76	2250	24000

Factory Installed Options
Add suffix to Catalog Number

Swivel Photocontrol (/PCS)
Quartz Restrike (HPS & MH only) (/QR)

Mini Motion Sensor (/MS)
Button Photocontrol (/PC)

Note: Specifications may change without notice