

STL360



JOB NAME: _____

DATE: _____

TYPE: _____

DESCRIPTION

Super Stealth Sensor with Total 360 + 180 "Can't Miss" Coverage, Surge Protection, Scanning LEDs, Evening Timer and Color Matched Lens, Universal CU4 cover plate.

SPECIFICATIONS

Advanced Detection Logic:

Minimizes false triggers

Color Matched Lens:

Dark lens with bronze units, white lens with white units

Evening Timer:

Keeps lights on for 1-8 hours after dusk. Then sensor is motion activated until dawn.

Lens Masks:

Customized press apply lens mask included to reduce coverage easily

Photoelectric Control:

Deactivates lights during daylight. Fully adjustable for 24 hour operation or custom applications.

Power Consumption:

1 watt

RF Immunity:

Circuits fully shielded for maximum radio frequency immunity.

Scanning LEDs:

3 LEDs continually scan back-and-forth

Set it and forget it:

STL360's full coverage pattern reduces need for aiming and adjustment.

Surge Protection:

Withstands up to 6000 volts

Time Adjustment:

5 seconds to 12 minutes

Temperature Compensation:

Sensitivity adjusted automatically for consistent detection in hot and cold ambient temperatures.

UL Listing:

Suitable for wet locations.

Voltage:

120 volts AC 60 Hz

Wall Switch Manual Override:

Two flip logic prevents activation by momentary power outages. Override resets to auto at dawn. No extra wiring needed.

Wide Sensitivity Control:

Adjustable from 100% to 30%

Detection:

Senses 180° out and 360° down for Total Detection

Patents:

RAB sensor and fixture designs are protected under U.S. and International Intellectual Property laws.

Switching Capacity:

8 amps, 1000 watts incandescent @ 120 volts

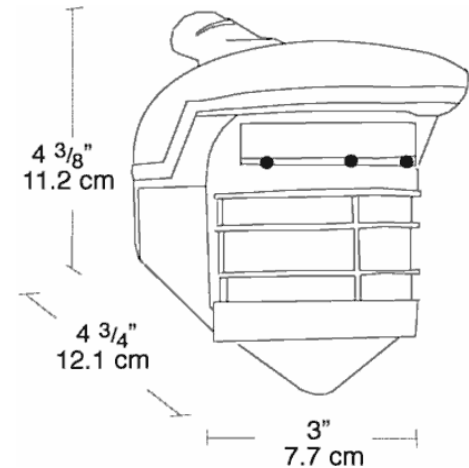
Color:

Bronze

Weight:

1.5

DIMENSIONS



DETECTION PATTERN

