

# RAB LIGHTING

## QF300FW



JOB NAME: \_\_\_\_\_  
 DATE: \_\_\_\_\_  
 TYPE: \_\_\_\_\_

### DESCRIPTION

Quartz flood with round back and cast aluminum Integral Hood. Hinged lens frame permits easy relamping. Stainless steel locking clip. Gold plated socket contacts and 250° C Teflon coated wires for extended lamp life.

### SPECIFICATIONS

#### Finish:

Chip and fade resistant polyester powder coating

#### Housing:

Die cast aluminum, 1/2" NPS threaded arm with locking swivel fits all standard mounting covers.

#### Lens Gasket:

High temperature silicone gasket stays in place during relamping

#### Lens:

Thermal, tempered, shock resistant glass

#### Reflector:

Semi-specular anodized aluminum

#### Sockets:

Porcelain RSC base sockets with gold plated spring loaded contacts and strain relieved 250° C Teflon insulated wires

#### UL Listing:

Suitable for wet locations. Suitable for mounting within 4' of the ground

#### Patents:

RAB sensor and fixture designs are protected under U.S. and International Intellectual Property laws

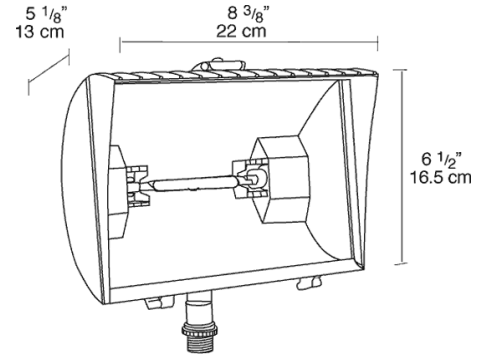
#### Color:

White

#### Weight:

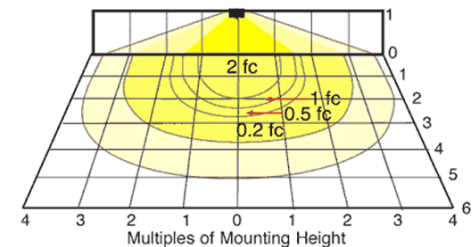
3.15

### DIMENSIONS



### PHOTOMETRIC

500w Quartz @ 15' Mounting Height  
 Aimed 30° below horizontal



Mounting Height	Multiplier
8'	3.5
12'	1.6
15'	1.0
20'	.6
24'	.4

Watts	Multiplier
500	1.0
300	.6
200	.3

### ORDERING INFORMATION

Double Ended Quartz Halogen  
 Lamp supplied with fixture

Total Watts	Lamp Type	Lamp Base	Ballast
300	T3	Double Ended	0

Starting Amps/ Operating Amps  
 120V 208V 240V 277V

0	0	0	0
---	---	---	---

Input Watts LAMP ANSI Initial Lumens Lamp Hours

300	0	6100	2000
-----	---	------	------

Factory Installed Options  
 Add suffix to Catalog Number

Note: Specifications may change without notice

RAB Lighting, Inc. • 170 Ludlow Ave • Northvale, NJ 07647 • Tel: 888 RAB-1000 • Fax: 888 RAB-1232 • www.rabweb.com  
 © 2009