

# RAB LIGHTING MPM19W



JOB NAME: \_\_\_\_\_  
DATE: \_\_\_\_\_  
TYPE: \_\_\_\_\_

## DESCRIPTION

Sturdy 19" PVC mounting post for ground mounted landscape lighting. Perfect for Lawn Lights, PAR-38 and Quartz Floods. Post is 2 1/2" pipe (2 7/8" O.D.) In-ground stabilizing grid. included.

## SPECIFICATIONS

### Post Materials:

UL Schedule 40 PVC pipe

### Set Screw:

Locks cap to post and prevents rotation

### UL Listing:

Suitable for wet locations. Fixtures with ground wire must be used

### Cap:

Metal

### Patents:

Pat. D424,524

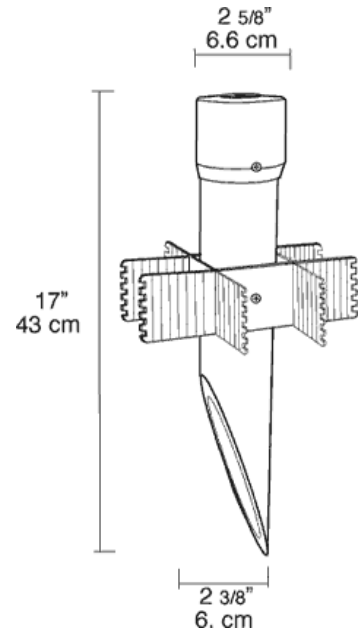
### Color:

White

### Weight:

2.25

## DIMENSIONS



Note: Specifications may change without notice

RAB Lighting, Inc. • 170 Ludlow Ave • Northvale, NJ 07647 • Tel: 888 RAB-1000 • Fax: 888 RAB-1232 • www.rabweb.com  
© 2009