

# RAB LIGHTING MP17VG



JOB NAME: \_\_\_\_\_  
DATE: \_\_\_\_\_  
TYPE: \_\_\_\_\_

## DESCRIPTION

17" PVC mounting post for lighter weight ground mounted landscape lighting. Post is 2" pipe (2 3/8" O.D.) for cleaner look. In-ground stabilizing grid included.

## SPECIFICATIONS

### Post Materials:

UL Schedule 40 PVC pipe

### Set Screw:

Locks cap to post and prevents rotation

### UL Listing:

Suitable for wet locations. Fixtures with ground wire must be used

### Cap:

PVC

### Patents:

Pat. D424,524

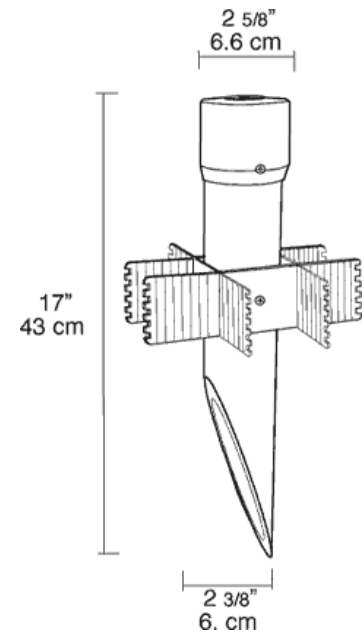
### Color:

Verde green

### Weight:

1.2

## DIMENSIONS



Note: Specifications may change without notice

RAB Lighting, Inc. • 170 Ludlow Ave • Northvale, NJ 07647 • Tel: 888 RAB-1000 • Fax: 888 RAB-1232 • www.rabweb.com  
© 2009