

RAB LIGHTING MCAP2B



JOB NAME: _____
DATE: _____
TYPE: _____

DESCRIPTION

PVC caps for replacement or making Do-It-Yourself Mighty Posts. MCAP2 fits standard 2" pipe (2 3/8" outer diameter), MCAP3 fits standard 2.5" pipe (2 7/8" outer diameter). Fixtures with ground wire must be used. Cut the pipe yourself and save!

SPECIFICATIONS

Post Materials:

UL Schedule 40 PVC pipe

Set Screw:

Locks cap to post and prevents rotation

UL Listing:

Suitable for wet locations. Fixtures with ground wire must be used

Fits Pipe:

2"

Material:

Aluminum

Patents:

RAB sensor and fixture designs are protected under U.S. and International Intellectual Property laws.

Pipe O.D.:

2 3/8"

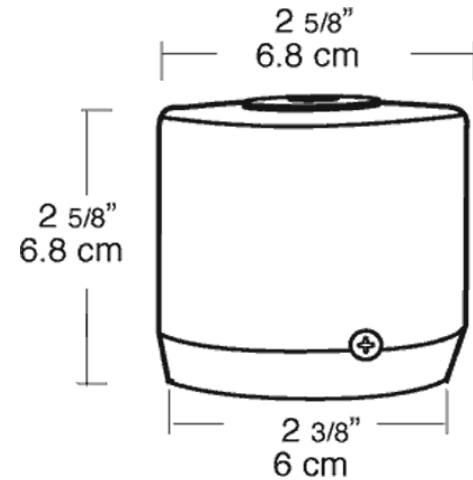
Color:

Black

Weight:

0.15

DIMENSIONS



Note: Specifications may change without notice

RAB Lighting, Inc. • 170 Ludlow Ave • Northvale, NJ 07647 • Tel: 888 RAB-1000 • Fax: 888 RAB-1232 • www.rabweb.com
© 2009