



LL323VG/F13



JOB NAME: _____
 DATE: _____
 TYPE: _____

DESCRIPTION

Rugged die cast aluminum 6" diameter housings. Threaded, gasketed clear glass globe for durable weatherproofing and easy relamping. 1" long, 1/2" threaded nipple included for easy mounting. 75 watt max. Lamp not supplied.

SPECIFICATIONS

Globes:

Threaded, gasketed globe protects against weather, garden sprinklers and insects. Clear glass GL 100 globes standard for 4 Tier. Clear glass GL60 globes standard for 3 Tire. GL100 white globes also available for attractive appearance and glare reduction.

Housing:

Die cast aluminum housing with powder coat finish

Mounting Stem:

Accessory 12" mounting stem with 1/2" threads on both ends available

Socket:

Medium base porcelain with all copper electrical parts and 20" leads, including a ground lead.

UL Listing:

Suitable for wet locations. Suitable for mounting within 4 feet of the ground

Voltage:

120 volts AC

F13:

Compact Fluorescent 13W

Lamp:

Fluorescent lamp supplied. 13 watt quad tube. NPF 120V ballast. GX23-2 base Quad lamps, 120V

Patents:

RAB sensor and fixture designs are protected under U.S. and International Intellectual Property laws

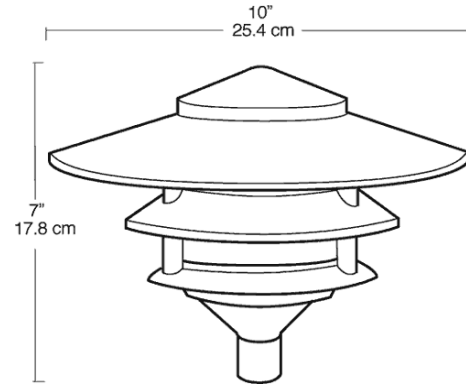
Color:

Verde green

Weight:

5.5

DIMENSIONS



ORDERING INFORMATION

Total Watts	Lamp Type	Lamp Base	Ballast	Starting Amps/ Operating Amps				Input Watts	LAMP ANSI Lumens	Initial Hours
				120V	208V	240V	277V			
13	13W Quad	GX23-2	NPF 120V	0.3				17	860	10000

Factory Installed Options
 Add suffix to Catalog Number

Note: Specifications may change without notice

RAB Lighting, Inc. • 170 Ludlow Ave • Northvale, NJ 07647 • Tel: 888 RAB-1000 • Fax: 888 RAB-1232 • www.rabweb.com
 © 2009