



LL22B



JOB NAME: _____
 DATE: _____
 TYPE: _____

DESCRIPTION

Rugged die cast aluminum 6" diameter housings. Threaded, gasketed clear glass globe for durable weatherproofing and easy relamping. 1" long, 1/2" threaded nipple included for easy mounting. 100 watt max. Lamp not supplied.

SPECIFICATIONS

Globes:

Threaded, gasketed globe protects against weather, garden sprinklers and insects. Clear glass GL 100 globes standard for 4 Tier. Clear glass GL60 globes standard for 3 Tire. GL100 white globes also available for attractive appearance and glare reduction.

Housing:

Die cast aluminum housing with powder coat finish

Mounting Stem:

Accessory 12" mounting stem with 1/2" threads on both ends available

UL Listing:

Suitable for wet locations. Suitable for mounting within 4 feet of the ground

Socket:

Medium base porcelain with all copper electrical parts and 20" leads, including a ground lead.

Voltage:

120 volts AC

Lamp:

Incandescent lamp not supplied. Medium base A-19 lamps, 120V. 100 watt max.

Patents:

RAB sensor and fixture designs are protected under U.S. and International Intellectual Property laws.

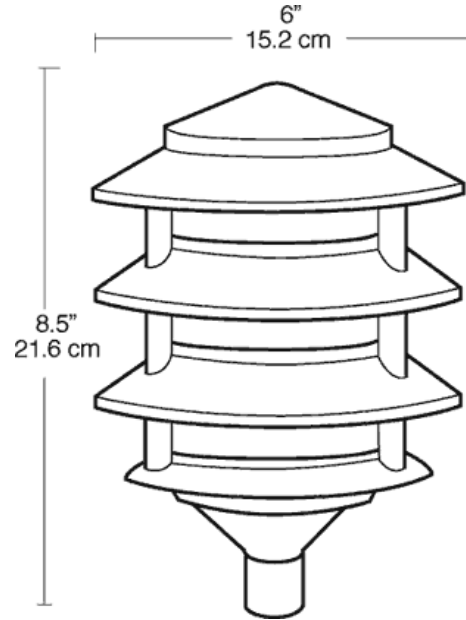
Color:

Black

Weight:

2.61

DIMENSIONS



ORDERING INFORMATION

Total Watts	Lamp Type	Lamp Base	Ballast	Starting Amps/ Operating Amps				Input Watts	LAMP ANSI	Initial Lumens	Lamp Hours
				120V	208V	240V	277V				
100	A-19	Medium	0	0	0	0	0	0	0	1650	750

Factory Installed Options
 Add suffix to Catalog Number

Note: Specifications may change without notice