

RAB LIGHTING

LFM16W



JOB NAME: _____
 DATE: _____
 TYPE: _____

DESCRIPTION

Low voltage MR16 flood with die cast aluminum housing, integral glare shield and tempered lens. Sleek good looks with minimal size. Supplied with 36" SPT-1 cord for installation on low voltage systems. MR16 lamp, 50 watt max. Lamp not supplied.

SPECIFICATIONS

Housings:

Precision die cast aluminum

Swivels:

1/2" NPS threaded arm with serrated locking swivel fits all standard mounting boxes. EZ Grip locknuts color matched to fixture.

UL Listing:

Suitable for wet locations. Suitable for mounting within 4' of the ground.

Voltage:

12

Patents:

RAB sensor and fixture designs are protected under U.S. and International Intellectual Property laws

Sockets:

Bipin GU5.3 with 36" SPT-1 cord

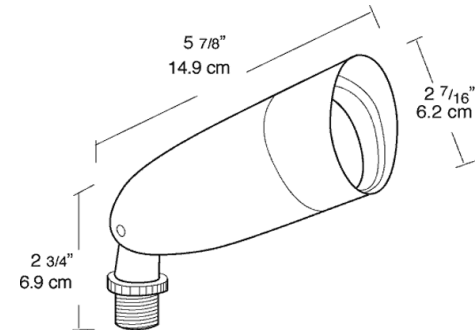
Color:

White

Weight:

0.85

DIMENSIONS



ORDERING INFORMATION

Total Watts	Lamp Type	Lamp Base	Ballast	Starting Amps/ Operating Amps				Input Watts	LAMP ANSI	Initial Lumens	Lamp Hours
				120V	208V	240V	277V				
50	MR16	Bipin GU5.3	0	0	0	0	0	0	0	0	4000

Factory Installed Options

Add suffix to Catalog Number

Note: Specifications may change without notice

RAB Lighting, Inc. • 170 Ludlow Ave • Northvale, NJ 07647 • Tel: 888 RAB-1000 • Fax: 888 RAB-1232 • www.rabweb.com
 © 2009