

# RAB LIGHTING LF20VG



JOB NAME: \_\_\_\_\_  
 DATE: \_\_\_\_\_  
 TYPE: \_\_\_\_\_

## DESCRIPTION

Rugged die cast floodlight with heavy mounting arm, lens, glare shield and weatherproof silicone gasket. 75 watt max., accepts lamp types PAR16, PAR20 and R type. 120 volt Lamp not supplied.

## SPECIFICATIONS

### Housings:

Precision die cast aluminum

### Swivels:

1/2" NPS threaded arm with serrated locking swivel fits all standard mounting boxes. EZ Grip locknuts color matched to fixture.

### UL Listing:

Suitable for wet locations. Suitable for mounting within 4' of the ground.

### Patents:

RAB sensor and fixture designs are protected under U.S. and International Intellectual Property laws

### Sockets:

Medium base porcelain with all copper current carrying components and spring loaded center contact.

### Voltage:

120

### Watts:

75

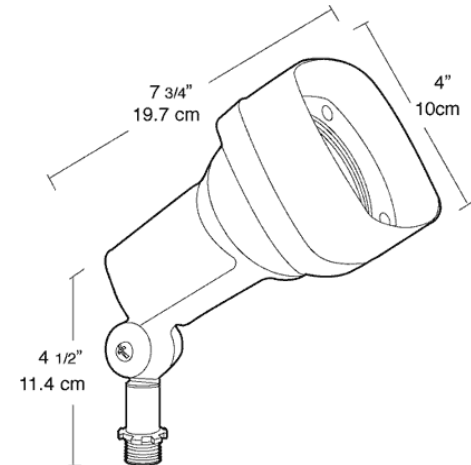
### Color:

Verde green

### Weight:

1.8

## DIMENSIONS



## ORDERING INFORMATION

Total Watts	Lamp Type	Lamp Base	Ballast	Starting Amps/ Operating Amps				Input Watts	LAMP ANSI	Initial Lumens	Lamp Hours
				120V	208V	240V	277V				
75	PAR20	Medium	0	0	0	0	0	0	0	550	2500

### Factory Installed Options

Add suffix to Catalog Number

Note: Specifications may change without notice

RAB Lighting, Inc. • 170 Ludlow Ave • Northvale, NJ 07647 • Tel: 888 RAB-1000 • Fax: 888 RAB-1232 • www.rabweb.com  
 © 2009