



Die-cast aluminum trim cone with high-efficiency TIR optics.

Color: Matte silver

Weight: 0.8 lbs

<b>Project:</b>	<b>Type:</b>
<b>Prepared By:</b>	<b>Date:</b>

Driver Info		LED Info	
Type:	Sold Separately	Watts:	0W
120V:	See Rough-in*	Color Temp:	N/A
208V:	See Rough-in*	Color Accuracy:	N/A
240V:	See Rough-in*	L70 Lifespan:	See Rough-In*
277V:	See Rough-in*	Lumens:	See Table Below*
Input Watts:	0W	Efficacy:	N/A
Efficiency:	N/A		

## Technical Specifications

### Listings

#### UL Listing:

Suitable for wet locations in a covered ceiling

### Optical

#### Photometrics:

Photometrics are based on prorated reports. Contact the RAB Lighting Design department for the most up-to-date data.

#### Optics:

High-efficiency TIR optics available as a trimmed 80° beam downlight. Optic and trim cone included.

### Construction

#### Trim Component:

This component must be ordered with New Construction Rough-In in order to make a complete fixture.

#### Trim Cone:

Matte silver square trim cone, die-cast aluminum.

#### Trim:

Trimmed

#### Lens:

Low-glare Solite glass eliminates "hot spots", and helps provide smooth, uniform light

#### Installation:

Nailer bar and butterfly brackets included; C-channels optional for acoustic tiles

#### Green Technology:

Mercury and UV free. RoHS compliant components.

### Other

#### Aperture Size:

3" Trim Module

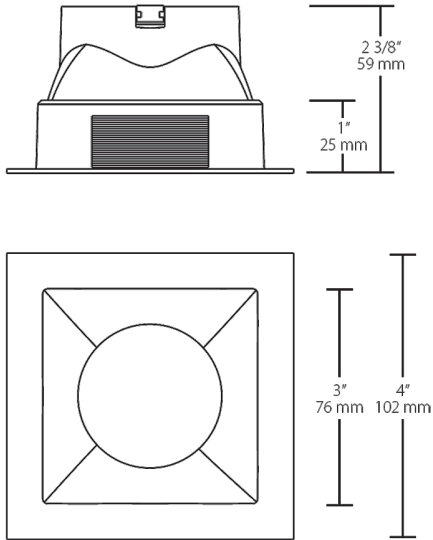
#### Warranty:

RAB warrants that our LED products will be free from defects in materials and workmanship for a period of five (5) years from the date of delivery to the end user, including coverage of light output, color stability, driver performance and fixture finish.

#### Buy American Act Compliance:

RAB values USA manufacturing! Upon request, RAB may be able to manufacture this product to be compliant with the Buy American Act (BAA). Please contact customer service to request a quote for the product to be made BAA compliant.

## Dimensions



## Features

- Durable die-cast aluminum
- High-efficiency TIR optics
- Optic and trim included

## Ordering Matrix

Family	Size	Shape	Optics	Color	Trim
NDTRIM	3	S	80	M	
	3 = 3"	S = Square	<b>80</b> = 80° Downlight <b>50</b> = 50° Downlight <b>40A</b> = 40° Adjustable <b>20A</b> = 20° Adjustable <b>W</b> = Wall Washer	<b>B</b> = Black <b>W</b> = White <b>M</b> = Matte Silver	<b>Blank</b> = Trimmed <b>TL</b> = Trimless