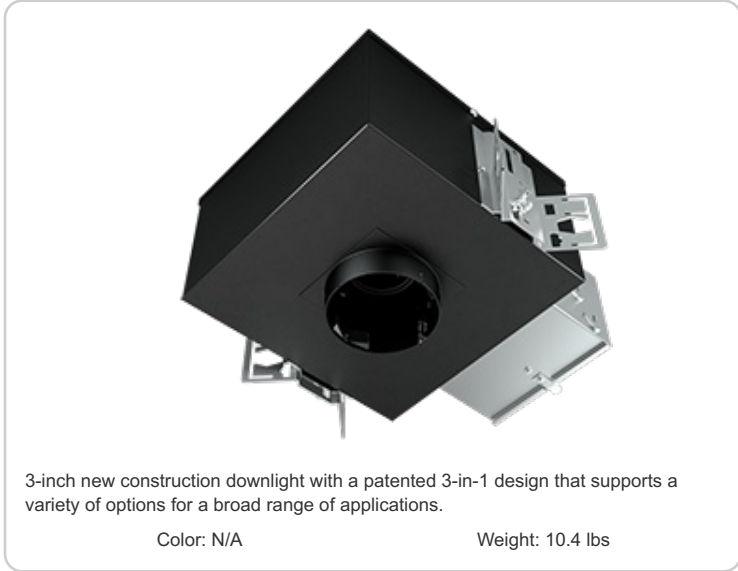


NDICLED3R-25DYN-TL-CP



Project:	Type:
Prepared By:	Date:

Driver Info		LED Info	
Type:	Constant Current	Watts:	25W
120V:	0.24A	Color Temp:	3500K
208V:	0.15A	Color Accuracy:	80 CRI
240V:	0.13A	L70 Lifespan:	100,000
277V:	0.11A	Lumens:	See Table Below*
Input Watts:	26W	Efficacy:	0 LPW
Efficiency:	96%		

Technical Specifications

Listings

UL Listing:

Suitable for wet locations in a covered ceiling (adjustable models suitable for damp locations).

CCEA Compliant:

Luminaire Requirements used in Environmental Air Space per the electrical code specification of the City of Chicago

Optical

Photometrics:

Photometrics are based on prorated reports. Contact the RAB Lighting Design department for the most up-to-date data.

Optics:

High-efficiency TIR optics. Available as a downlight (80° or 50° beam), adjustable (40° or 20° beam with 40° vertical adjustment and 360° rotation), or a wall washer.

Construction

IC Rating:

Suitable for direct contact with insulation

Trim:

Accepts trimless cones (spackle flange included)

Housing Component:

This component must be ordered with New Construction Round Trim Module in order to make a complete fixture.

Cold Weather Starting:

Minimum starting temperature is -40°C (-40°F)

Maximum Ambient Temperature:

Suitable for use in 40°C (104°F) ambient temperatures

Housing:

Cold-rolled steel and aluminum

Installation:

Nailer bar and butterfly brackets included; C-channels optional for acoustic tiles

Green Technology:

Mercury and UV free. RoHS compliant components.

LED Characteristics

Lifespan:

100,000-hour LED lifespan based on IES LM-80 results and TM-21 calculations.

Color Consistency:

2-step u'-v' Circle Tolerance, previously referred to as 2-step MacAdam Ellipse, achieves consistent fixture-to-fixture color (ANSI standard C78.377.2015)

Electrical

Driver:

Constant Current, Class 2, 120-277V, 50/60Hz, 120V: 0.24A, 208V: 0.15A, 240V: 0.13A, 277V: 0.11A

Dimming Driver:

Universal dimming driver supports TRIAC, ELV and 0-10V.

Surge Protection:

2kV

Performance Table*:

The performance table below shows photometric data for this rough-in with the following trim modules:

NDTRIM 80° white: 1616 lm, 62 lm/W
NDTRIM 50° white: 1671 lm, 64 lm/W
NDTRIM 40° adjustable white: 1774 lm, 68 lm/W
NDTRIM 20° adjustable white: 1747 lm, 67 lm/W
NDTRIM Wall Wash white: 1110 lm, 43 lm/W

NDTRIM 80° matte silver: 1625 lm, 63 lm/W
NDTRIM 50° matte silver: 1684 lm, 65 lm/W
NDTRIM 40° adjustable matte silver: 1835 lm, 71 lm/W
NDTRIM 20° adjustable matte silver: 1807 lm, 70 lm/W
NDTRIM Wall Wash matte silver: 1170 lm, 45 lm/W

NDTRIM 80° black: 1248 lm, 48 lm/W
NDTRIM 50° black: 1510 lm, 58 lm/W
NDTRIM 40° adjustable black: 1698 lm, 65 lm/W
NDTRIM 20° adjustable black: 1700 lm, 65 lm/W
NDTRIM Wall Wash black: 761 lm, 29 lm/W

Other

Aperture Size:

3" Rough-In

Special Order:

Available in battery backup option by special request. Contact RAB customer service to order.

Warranty:

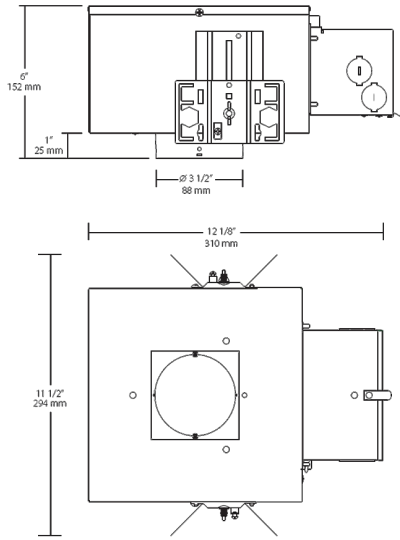
RAB warrants that our LED products will be free from defects in materials and workmanship for a period of five (5) years from the date of delivery to the end user, including coverage of light output, color stability, driver performance and fixture finish.

Buy American Act Compliance:

RAB values USA manufacturing! Upon request, RAB may be able to manufacture this product to be compliant with the Buy American Act (BAA). Please contact customer service to request a quote for the product to be made BAA compliant.

NDICLED3R-25DYN-TL-CP

Dimensions



Features

- 3-in-1 housing accommodates downlight, adjustable or wall washer
- Universal driver supports TRIAC, ELV and 0-10 dimming
- IC-rated, Certified Air Tight
- 100,000 hour LED lifespan
- 5-year no-compromise warranty

Ordering Matrix

Family	Size	Shape	Wattage	Driver	Color Temp	CRI	Trim	Installation
NDICLED	3	R	25	D	YN		TL	CP
	3 = 3"	R = Round	25 = 25W 15 = 15W	D = TRIAC, ELV, 0-10V Dimming L = Lutron	N = 4000K (Neutral) YN = 3500K (Warm Neutral) Y = 3000K (Warm) YY = 2700K (Residential Warm)	Blank = 80 CRI HC = 90 CRI	Blank = Accepts cones with trim TL = Accepts trimless cones (spackle flange included)	Blank = Standard CP = Chicago Plenum