



JOB NAME: _____
 DATE: _____
 TYPE: _____

DESCRIPTION

Hood or Baffle cut down on unnecessary glare and are designed to attach to RAB Flood lights. Die formed aluminum. Mounting hardware supplied. Easy field installation.

SPECIFICATIONS

Lens and Frame:

Replacement lens and frame for the RAB Future Flood

Color:

White

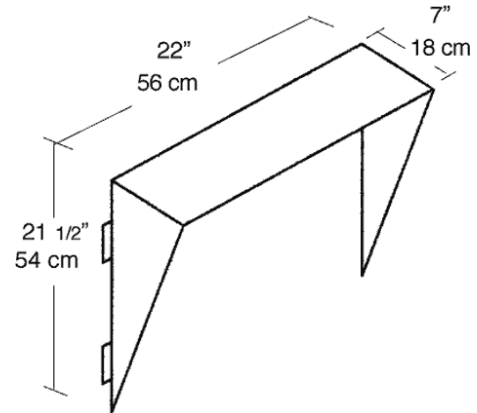
Patents:

RAB sensor and fixture designs are protected under U.S. and International Intellectual Property laws

Weight:

1.6

DIMENSIONS



Note: Specifications may change without notice