



Perfect for use on boats, marinas, in coastal areas and around salt water. When used with the VX1BR junction box, the LFLED Brass is UL approved for marine applications. Sturdy brass construction keeps water out and stands up well to corrosive salt water conditions.

Color: Brass

Weight: 6.0 lbs

Project:

Type:

Prepared By:

Date:

Driver Info

Type: Constant Current
 120V: 0.1A
 208V: 0.06A
 240V: 0.05A
 277V: N/A
 Input Watts: N/A
 Efficiency: N/A

LED Info

Watts: 5W
 Color Temp: 5000K (Cool)
 Color Accuracy: 68 CRI
 L70 Lifespan: 100,000
 Lumens: 299
 Efficacy: N/A

Technical Specifications

Listings

UL Listing:

Marine Listed Outside Type (Saltwater).

IESNA LM-79 & IESNA LM-80 Testing:

RAB LED luminaires have been tested by an independent laboratory in accordance with IESNA LM-79 and 80, and have received the Department of Energy "Lighting Facts" label.

LED Characteristics

Lifespan:

100,000-hour LED lifespan based on IES LM-80 results and TM-21 calculations.

Color Consistency:

7-step MacAdam Ellipse binning to achieve consistent fixture-to-fixture color.

Color Stability:

LED color temperature is warranted to shift no more than 200K in CCT over a 5 year period.

Color Accuracy:

68 CRI

Color Temperature (Nominal CCT):

5000K

Color Uniformity:

RAB's range of CCT (Correlated Color Temperature) follows the guidelines of the American National Standard for (SSL) Products, ANSI C78.377-2008.

Optical

Spot Lens:

Optional spot lens enables a tool-less conversion to a NEMA Type 3H x 3V. Great for accent lighting or grazing buildings for an artistic touch. Spot reflector kit available .

Fixture Efficacy:

59 Lumens per Watt

NEMA Type:

4H x 4V

Construction

Lens:

Microprismatic diffusion lens for smooth and even light distribution.

Cold Weather Starting:

Minimum starting temperature is -40°F/-40°C.

Ambient Temperature:

Suitable for use in 40°C (104°F) ambient temperatures.

Thermal Management:

Optimized using computational fluid dynamics software to ensure long LED and driver lifespan.

Housing:

Precision die cast brass housing.

Gaskets:

High Temperature Silicone.

Finish:

Not clear coated so it will naturally patina over time.

Green Technology:

Mercury and UV free, and RoHS compliant.

Electrical

Driver:

Constant Current, Class 2, 100-240V, 50-60Hz, 100-240VAC 0.18A.

Other

Equivalency:

The LFLED5 is equivalent in delivered lumens to a 35W MR16.

Warranty:

RAB warrants that our LED products will be free from defects in materials and workmanship for a period of five (5) years from the date of delivery to the end user, including coverage of light output, color stability, driver performance and fixture finish.

Patents:

The design of the LFLED is protected by Taiwan Patent 01510966 and pending patents in US, Canada, China, and Mexico.

Country of Origin:

Designed by RAB in New Jersey and assembled in the USA by RAB's IBEW Local 3 workers.

Buy American Act Compliant:

This product is a COTS item manufactured in the United States, and is compliant with the Buy American Act.

Recovery Act (ARRA) Compliant:

This product complies with the 52.225-21 "Required Use of American Iron, Steel, and Manufactured Goods-- Buy American Act-- Construction Materials (October 2010).

Technical Specifications (continued)

Other

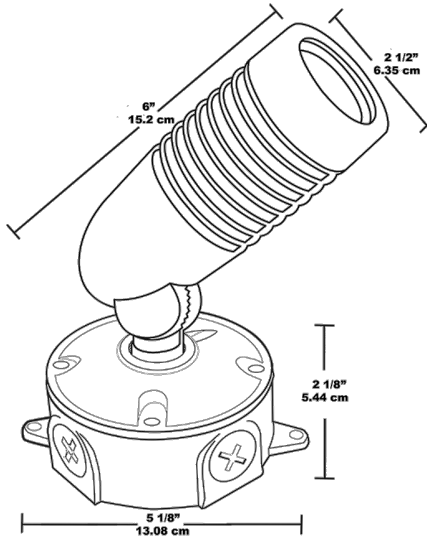
Trade Agreements Act Compliant:

This product is a COTS item manufactured in the United States, and is compliant with the Trade Agreements Act.

GSA Schedule:

Suitable in accordance with FAR Subpart 25.4.

Dimensions



Features

- Reduces energy consumption by 87%
- Brass fixture combined with brass junction box is UL Marine Listed
- Optional spot hood reflector available
- Microprismatic lens diffuses light to produce a smooth, glare-free effect
- 100% non-rusting, non-corroding brass will naturally patina over time
- 100,000-hour LED lifespan
- 5-Year no-compromise warranty

Ordering Matrix

Family	Watts	Color Temp	Finish
LFLED	5 = 5W	Blank = Cool Y = Warm N = Neutral	MBR = Marine Listed Brass