

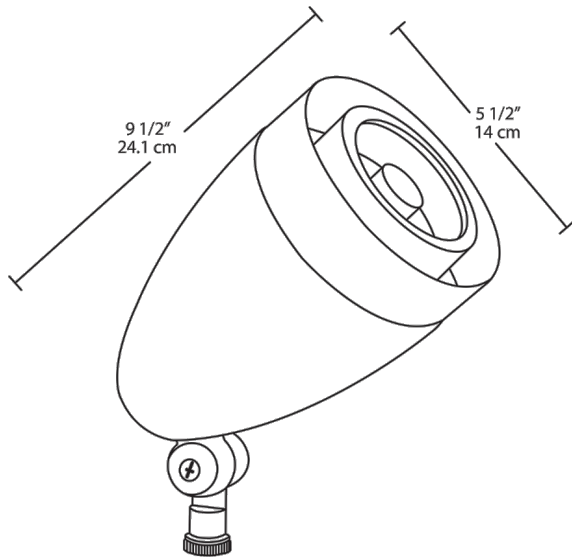


## Technical Specifications (continued)

### Listings

RAB LED Luminaires have been tested by an independent laboratory in accordance with IESNA LM-79 and LM-8-, and have received the Department of Energy "Lighting Facts" label.

### Dimensions



### Features

- Low voltage DC
- Ideal for solar applications
- Up to 85% more energy efficient
- No energy-loss from DC-AC inverter
- Enables off-grid, remote-area lighting
- 5-year warranty

### Ordering Matrix

Family	Watts	DC	Finish
HSLED	10 = 10W	DC = DC	A = Bronze W = White B = Black VG = Verde Green