



FZS400/480/PC4



JOB NAME: _____
 DATE: _____
 TYPE: _____

DESCRIPTION

Compact, tough and good looking cast aluminum housing with steel trunnion mount for easy surface mounting and aiming flexibility. Stainless steel screws. Lamp supplied.

SPECIFICATIONS

Finish:

Chip and fade resistant polyester powder coating

Housing:

Precision die cast aluminum

Lens Gasket:

Molded one-piece silicone in die cast retaining groove to remain in place during relamping

Tempered shock resistant glass

Reflector:

High quality anodized aluminum

Socket:

Glazed porcelain 4kv pulse rated with nickel plated screw shell and spring contacts

UL Listing:

Suitable for wet locations. Suitable for mounting within 4' of the ground.

Ballast Volts:

480 V

EPA:

1.3

Patents:

Pat. D547,477

Photocontrol:

/PC4 = 480V

Starting/Operating Amps:

.75/.97A

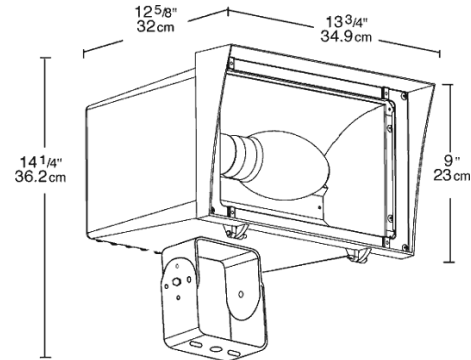
Color:

Bronze

Weight:

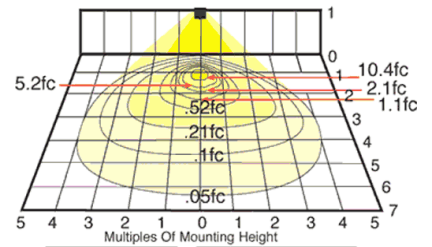
31.5

DIMENSIONS



PHOTOMETRIC

400w HPS fixture @30' mounting height aimed @45° below horizontal



Mounting Height	Multiplier	Watts	Multiplier HPS	Multiplier MH
40'	.6	175	.3	
30'	1.0	200PS	.4	
25'	1.4	250	.6	.4
20'	2.3	250PS	.5	
15'	4.0	320PS	.6	
		350PS	.7	
		400	1.0	.7
		400PS	.8	

ORDERING INFORMATION

High Pressure Sodium
 Lamp supplied with fixture

Total Watts	Lamp Type	Lamp Base	Ballast	Starting Amps/ Operating Amps				Input Watts	LAMP ANSI	Initial Lumens	Lamp Hours
				120V	208V	240V	277V				
400	ED18	Mogul	CWA-HPF 480V					460	S51	50000	24000

Factory Installed Options
 Add suffix to Catalog Number

Swivel Photocontrol wired for 120V (/PCS) Button Photocontrol wired for 120V (/PC)
 Button Photocontrol wired for 480 (/PC4) 480 volt only ballast (/480)
 Button Photocontrol wired for 208 - 277V (/PC2)

Note: Specifications may change without notice