



FZS400SF/480



JOB NAME: _____
 DATE: _____
 TYPE: _____

DESCRIPTION

Floodzilla with integral slipfitter for O.D. 2 3/8" tenon size. slipfitter joint adjusts over 180° arc. Lamp supplied.

SPECIFICATIONS

Finish:

Chip and fade resistant polyester powder coating

Housing:

Precision die cast aluminum

Lens Gasket:

Molded one-piece silicone in die cast retaining groove to remain in place during relamping

Tempered shock resistant glass

Reflector:

High quality anodized aluminum

Socket:

Glazed porcelain 4kv pulse rated with nickel plated screw shell and spring contacts

UL Listing:

Suitable for wet locations. Suitable for mounting within 4' of the ground.

Ballast Volts:

480 V

EPA:

1.3

Patents:

Pat. D547,478

Starting/Operating Amps:

.75/.97A

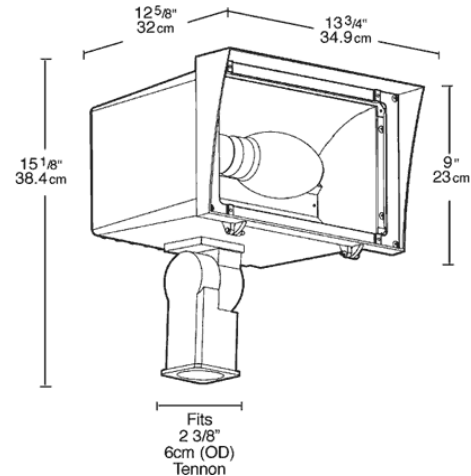
Color:

Bronze

Weight:

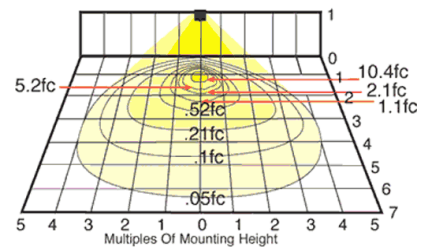
33.2

DIMENSIONS



PHOTOMETRIC

400w HPS fixture @30' mounting height aimed @45° below horizontal



Mounting Height	Multiplier	Watts	Multiplier HPS	Multiplier MH
40'	.6	175	.3	
30'	1.0	200PS	.4	
25'	1.4	250	.6	.4
20'	2.3	250PS	.5	
15'	4.0	320PS	.6	
		350PS	.7	
		400	1.0	.7
		400PS	.8	

ORDERING INFORMATION

High Pressure Sodium
Lamp supplied with fixture

Total Watts	Lamp Type	Lamp Base	Ballast
400	ED18	Mogul	CWA-HPF 480V

Starting Amps/ Operating Amps
120V 208V 240V 277V

Input Watts	LAMP ANSI	Initial Lumens	Lamp Hours
460	S51	50000	24000

Factory Installed Options
Add suffix to Catalog Number

Swivel Photocontrol wired for 120V (/PCS) Button Photocontrol wired for 120V (/PC)
 Button Photocontrol wired for 480 (/PC4) 480 volt only ballast (/480)
 Button Photocontrol wired for 208 - 277V (/PC2)

Note: Specifications may change without notice