



# FZS250SFQT



JOB NAME: \_\_\_\_\_  
 DATE: \_\_\_\_\_  
 TYPE: \_\_\_\_\_

## DESCRIPTION

Floodzilla with integral slipfitter for O.D. 2 3/8" tenon size. slipfitter joint adjusts over 180° arc. Lamp supplied.

## SPECIFICATIONS

### Finish:

Chip and fade resistant polyester powder coating

### Housing:

Precision die cast aluminum

### Lens Gasket:

Molded one-piece silicone in die cast retaining groove to remain in place during relamping

### Lens:

Tempered shock resistant glass

### Reflector:

High quality anodized aluminum

### Socket:

Glazed porcelain 4kv pulse rated with nickel plated screw shell and spring contacts

### UL Listing:

Suitable for wet locations. Suitable for mounting within 4' of the ground.

### EPA:

1.3

### Patents:

Pat. D547,478

### Quad Tap:

Fixture works with 120, 208, 240 and 277 Volts

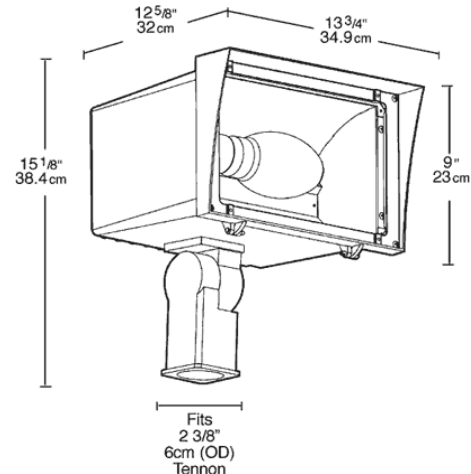
### Color:

Bronze

### Weight:

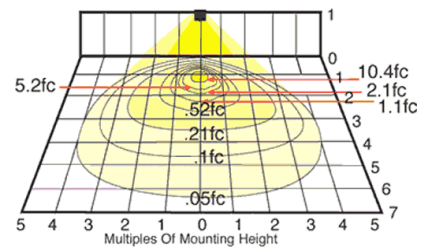
32.75

## DIMENSIONS



## PHOTOMETRIC

400w HPS fixture @30' mounting height aimed @45° below horizontal



| Mounting Height | Multiplier | Watts | Multiplier |
|-----------------|------------|-------|------------|
| 40'             | .6         | 175   | .3         |
| 30'             | 1.0        | 200PS | .4         |
| 25'             | 1.4        | 250   | .6 .4      |
| 20'             | 2.3        | 250PS | .5         |
| 15'             | 4.0        | 320PS | .6         |
|                 |            | 350PS | .7         |
|                 |            | 400   | 1.0 .7     |
|                 |            | 400PS | .8         |

## ORDERING INFORMATION

**High Pressure Sodium**  
Lamp supplied with fixture

| Total Watts | Lamp Type | Lamp Base | Ballast    | Starting Amps/ Operating Amps |         |         |         | Input Watts | LAMP ANSI | Initial Lumens | Lamp Hours |
|-------------|-----------|-----------|------------|-------------------------------|---------|---------|---------|-------------|-----------|----------------|------------|
|             |           |           |            | 120V                          | 208V    | 240V    | 277V    |             |           |                |            |
| 250         | ED18      | Mogul     | CWA-HPF QT | 1.7/2.5                       | 1.0/1.5 | 0.8/1.3 | 0.7/1.1 | 295         | S50       | 28500          | 24000      |

**Factory Installed Options**  
Add suffix to Catalog Number

Swivel Photocontrol wired for 120V (/PCS)      Button Photocontrol wired for 120V (/PC)  
 Button Photocontrol wired for 480 (/PC4)      480 volt only ballast (/480)  
 Button Photocontrol wired for 208 - 277V (/PC2)

Note: Specifications may change without notice