

ENVIRONMENTALLY FRIENDLY, ENERGY EFFICIENT

- Lumen packages suitable for ceiling heights ranging from 8' to over 35'
- Efficacies up to 128 lm/w
- Superior-quality white LED light output using Chip on Board technology
- No harmful ultraviolet or infrared wavelengths • No lead or mercury

PRODUCT SPECIFICATIONS

Atrius™ - Ready Product: Select models of the L-series product line deliver valuable data and connectivity to the Atrius IoT location based platform services. For more information, please refer to www.acuitybrands.com/Atrius.

OPTICS

Hyperbolic Reflector: Unique hyperbolic shape optimized for small, directional LED source, maximizes fixture efficiency while reducing lamp image and aperture brightness

- Geometry of hyperbolic curve provides unique aperture appearance and smoother light distribution

Parabolic Cone/Lens: Computer-optimized parabolic cone with frosted convex lens regressed into cone provides uniform distribution with no striations

Baffle: White or black painted deep multi-groove aluminum baffle insert with integral white painted flange and frosted convex glass lens

Wallwash Cone/Lens: Computer-optimized trim with integral wall wash kicker and frosted convex lens regressed into cone provides uniform distribution with no striations

ELECTRICAL

LED Light Engine: Compact light source delivers uniform illumination without pixilation, enabling excellent beam control • 2SDCM (5000K within 3SDCM) • 80, 90 & 97 CRI

- Light engine mounts directly to heat sink and is easily replaceable

Passive Cooling: Cast aluminum heat sink integrated directly with housing provides superior thermal management to ensure the long life of LED

LED Driver: Power factor >0.9

Dimming: Dimmable via 0-10V protocol standard • Optional drivers available for use with eldoLED, Lutron EcoSystem, 2-wire dimmers, DMX, or DALI • For a list of compatible dimmers, see [LED-DIM](#).

Design2Ship Quick Ship Program:
Options in green text qualify for Design2Ship
— 5 business days from order entry to ship. Refer to
Design2Ship Brochure for complete program details.
Maximum Order Quantity: 50 units.



A+ Capable options indicated by this color background



SURFACE MOUNT



PENDANT MOUNT



WALL MOUNT



CABLE MOUNT

ORDERING INFORMATION Complete Catalog# Example Includes (Rough-In, option, reflector, accessory) Ordering Example: LC4P 08LM 27K MVOLT B G4 80CRI ZT LDI HW CS PF

ROUGH-IN

Series	Mounting Options	Lumen Package	Color Temperature	Voltage	Cylinder Color	Generation	CRI	Driver	Rough-In Options
LC4 4" L-Series Cylinder	S	08LM 800 Lumens	27K 2700K	120 120 Volt	B Black	G4 Gen 4	80CRI 80+ CRI	DALI DALI Control Dimming	F2 ⁵ Fuse and Fuse Holder
	Surface	13LM 1300 Lumens	30K 3000K	277 277 Volt	W White		90CRI 90+ CRI	DMXR ⁶ DMX/RDM Driver	LDI Lumen Depreciation Indicator
	P	15LM 1500 Lumens	35K 3500K	347 347 Volt	S Silver		97CRI ¹ 97+ CRI	EDAB ³ eldoLED SOLOdrive DALI. Logarithmic dimming to <1%	BR ^{2,3,9} Emergency Battery Pack w/Remote Test Switch
	Pendant	17LM 1700 Lumens	40K 4000K	MVOLT Multi-Volt (120-277)				EZIO ³ eldoLED 0-10V ECOdrive. Linear dimming to 10% min.	HBR ^{2,3,6} High Lumen Emergency Battery Pack w/Remote Test Switch
	W	23LM 2300 Lumens	50K 5000K					EZ1 ³ eldoLED 0-10V ECOdrive. Linear dimming to 1% min.	NL ⁸ nLight® Dimming Pack Controls
	Wall	28LM 2800 Lumens						EZB ³ eldoLED 0-10V SOLOdrive. Logarithmic dimming to <1%	NLER ⁸ nLight® dimming pack controls. nLER controls fixtures on emergency circuit
	C						FD ⁴ Forward or Reverse Phase Dimming Driver	NLTAIR ^{2,2.8,15} nLight® AIR Dimming Pack Wireless Controls	
	Cable						FDL ^{4,7,13} Forward Phase Dimming Lutron Driver	NLTAIRER ^{2,2.8,15} nLight® AIR Dimming Pack Wireless Controls. Controls fixtures on emergency circuit	
							PD ^{7,13} Lutron Ecosystem Dimming Driver	AE1BN ¹⁴ Atrius™ - Ready, Bluetooth® beacons, network and in fixture power supply	
							ZT 0-10V Dimming to 10% min		
							GZ1 0-10V Dimming to 1% min		

REFLECTOR To order reflector separately, use "L4" prefix before reflector option values. Ex: L4 HW CS PF

Trim Style			Finish						Trim Options	
BAF ¹⁰	Baffle	P	Parabolic	BD	Black Diffuse	CD	Clear Diffuse	PTD	Pewter Diffuse	PF ¹² White Flange
HM	Hyperbolic Medium	WC	Corner Wall Wash	BL	Black (Baffle)	CS	Clear Specular	PTS	Pewter Specular	
HN	Hyperbolic Narrow	WD	Double Wall Wash	BS	Black Specular	CSS	Clear Semi-Specular	WH	White	
HW	Hyperbolic Wide	WS	Single Wall Wash	BZD	Bronze Diffuse	GD	Gold Diffuse	WTD	Wheat Diffuse	
HWS	Hyperbolic Single Wall Wash			BZS	Bronze Specular	GS	Gold Specular	WTS	Wheat Specular	

Mounting Type	Length	Color	Options
PSTEM Pendant Stem	18IN 18"	WPEN White	PBR Battery Pack
	24IN 24"	BLPEN Black	PHBR High Lumen Battery Pack
	36IN 36"	SPEN Silver	PDMXR DMX/RDM Driver
CSTEM Cable Stem	18IN 18"	WCAB White with White Cord	
	48IN 48"	BLCAB Black with Black Cord	
	120IN 120"	SCAB Silver with Black Cord	

Add mounting hardware to the end of the complete catalog #.
 EX: LC4P 08LM MVOLT B G4 80CRI BR ZT HW CS PF PSTEM 18IN BLPEN PBR

Ordering Notes

- 1 2700K & 3000K only.
- 2 Not available with 347V.
- 3 Not compatible with LDI.
- 4 120V only.
- 5 Specify voltage.
- 6 Not compatible with cable mount.
- 7 Not available for 2800 lumens.
- 8 Only compatible with GZ1 driver.
- 9 Cannot be dimmed when used with cable mount (CSTEM).
- 10 Only available with BL or WH trim finish.
- 11 Not compatible with BR or HBR.
- 12 Not required when specifying WH finish.
- 13 Not compatible with BR, HBR, or LDI.
- 14 See AE1BN notes in following table for compatibility with other options.
- 15 NLTAIR2 and NLTAIRER2 not recommended for metal ceiling installations.

AE1BN Notes

Not available with 347.
 Only compatible with ZT, GZ1, EZ1, EZB, EZ10 drivers.
 BR, HBR, NL, NLER, NLTAIR2, NLTAIRER2 not compatible with AE1BN.
 Recommended ceiling height of 30' and under; not intended for use on ceilings greater than 40'.

The Bluetooth® word mark and logos are registered trademarks owned by Bluetooth SIG, Inc. and any use of such marks by Acuity Brands Lighting is under license.

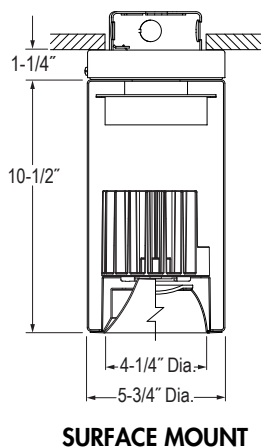
PRODUCT SPECIFICATIONS (cont.)

MECHANICAL

Housing: One piece heavy gauge aluminum with white, black or silver baked textured powder coat finish.

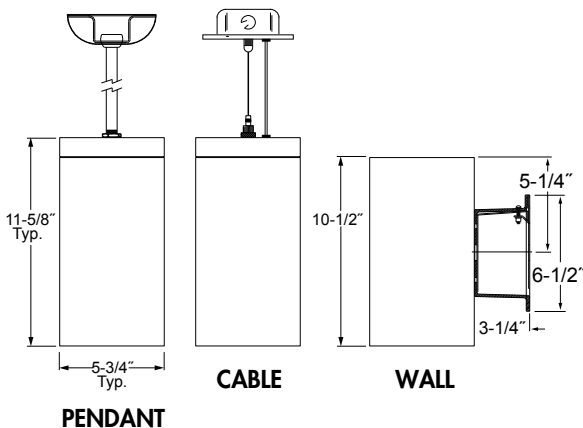
Mounting: Available for surface, pendant, cable or wall mounting • Pendant mounting features hang straight pendant mounting kits that allows for mounting on to sloped ceilings with an angle up to 35°

DIMENSIONS



SURFACE MOUNT

MOUNTING DETAIL:

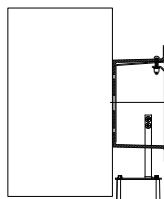
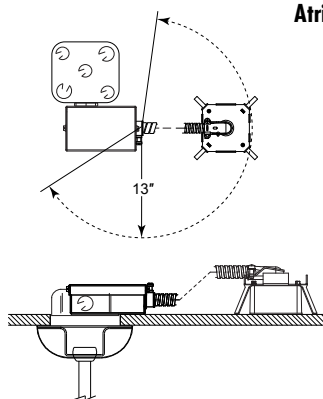


PENDANT

CABLE

WALL

Atrius Enabled



ENERGY STAR® certified		FIXTURE CONFIGURATIONS = ENERGY STAR
	PRODUCT#	
	MVOLT (120V-277V), 80 CRI LC4(M) (WW)LM (XX)K MVOLT G4 (YY)CRI (ZZ) (CC) ¹	Mounting Option: M = S, P, W, C Lumen Package: WW = 08°, 13°, 15, 17, 23, 28 CCT: XX = 27, 30, 35, 40, 50 Voltage: MVOLT (120V-277V) CRI: YY = 80, 90, 97 Trim Type: ZZ = HN, HM, HW, P Trim Color/Finish: CC = CS, CSS, CD ²

1 EDAB, PD and FDL options are not ENERGY STAR® certified.
 2 Indicated lumen packages are not ENERGY STAR® certified with -DMXR or -DALI options when used with 277 volts.
 3 CD trim finish is not Energy Star Certified for Trim Type: P.

LABELS AND LISTINGS

• UL & cUL listed for damp locations • RoHS compliant • EMI complies with FCC 47, Part 15, Class A • ENERGY STAR® certified, see table above for designated products • I.B.E.W. Union made • ARRA Compliant

ENGINEERING DATA						
VOLTAGE 120						
LIGHT ENGINE LUMENS	800	1300	1500	1700	2300	2800
CCT 2700K/3000K/3500K/4000K/5000K						
INPUT CURRENT	0.063	0.098	0.115	0.132	0.180	0.221
INPUT WATTAGE	7.53	11.74	13.66	15.82	21.52	26.46
INPUT FREQUENCY	50/60Hz	50/60Hz	50/60Hz	50/60Hz	50/60Hz	50/60Hz
THD%	6.42	5.19	4.61	3.86	5.09	5.46
POWER FACTOR	0.993	0.993	0.992	0.994	0.994	0.995
VOLTAGE 277						
LIGHT ENGINE LUMENS	800	1300	1500	1700	2300	2800
CCT 2700K/3000K/3500K/4000K/5000K						
INPUT CURRENT	0.031	0.048	0.056	0.063	0.085	0.100
INPUT WATTAGE	7.87	11.84	13.81	15.89	21.65	26.19
INPUT FREQUENCY	50/60Hz	50/60Hz	50/60Hz	50/60Hz	50/60Hz	50/60Hz
THD%	12.00	11.62	11.31	11.34	9.93	9.04
POWER FACTOR	0.904	0.885	0.887	0.907	0.918	0.943
VOLTAGE 347						
LIGHT ENGINE LUMENS	800	1300	1500	1700	2300	2800
CCT 2700K/3000K/3500K/4000K/5000K						
INPUT CURRENT	0.025	0.038	0.043	0.050	0.067	0.083
INPUT WATTAGE	8.59	12.99	14.91	17.15	23.20	28.54
INPUT FREQUENCY	50/60Hz	50/60Hz	50/60Hz	50/60Hz	50/60Hz	50/60Hz
THD%	13.05	11.53	10.41	9.69	7.79	7.26
POWER FACTOR	0.987	0.992	0.990	0.991	0.992	0.995

HYPERBOLIC												
DELIVERED LUMENS/LUMENS PER WATT (35K 80CRI)												
TRIM/FINISH	800 35K		1300 35K		1500 35K		1700 35K		2300 35K		2800 35K	
	Lumens	LPW	Lumens	LPW	Lumens	LPW	Lumens	LPW	Lumens	LPW	Lumens	LPW
L4 HN CS	815	108.3	1360	115.8	1571	115.0	1789	113.1	2408	111.9	2903	109.7
L4 HN CSS	811	107.6	1352	115.1	1562	114.4	1778	112.4	2394	111.2	2886	109.1
L4 HN CD	750	99.6	1251	106.5	1445	105.8	1645	104.0	2215	102.9	2670	100.9
L4 HM CS	854	113.4	1424	121.3	1646	120.5	1874	118.5	2523	117.2	3042	115.0
L4 HM CSS	844	112.0	1407	119.9	1626	119.0	1851	117.0	2492	115.8	3005	113.6
L4 HM CD	790	104.9	1317	112.2	1522	111.4	1733	109.5	2332	108.4	2812	106.3
L4 HW CS	866	115.1	1445	123.1	1670	122.2	1901	120.2	2559	118.9	3086	116.6
L4 HW CSS	835	110.9	1393	118.6	1610	117.8	1832	115.8	2467	114.6	2974	112.4
L4 HW CD	778	103.4	1298	110.6	1500	109.8	1708	107.9	2299	106.8	2772	104.8

PARABOLIC												
DELIVERED LUMENS/LUMENS PER WATT (35K 80CRI)												
TRIM	800 35K		1300 35K		1500 35K		1700 35K		2300 35K		2800 35K	
	Lumens	LPW	Lumens	LPW	Lumens	LPW	Lumens	LPW	Lumens	LPW	Lumens	LPW
L4 P CS	658	87.4	1097	93.5	1268	92.8	1444	91.2	1943	90.3	2343	88.5
L4 P CSS	611	81.1	1018	86.7	1177	86.1	1340	84.7	1803	83.8	2174	82.2
L4 P CD	616	81.8	1028	87.5	1188	86.9	1352	85.5	1820	84.6	2194	82.9

BEAM SPREAD	
TRIM	DEGREE
L4 HN CS	17°
L4 HN CSS	20°
L4 HN CD	31°
L4 HM CS	37°
L4 HM CSS	37°
L4 HM CD	45°
L4 HW CS	56°
L4 HW CSS	55°
L4 HW CD	64°
L4 P CS	65°
L4 P CSS	65°
L4 P CD	70°
L4 BAF BL	76°

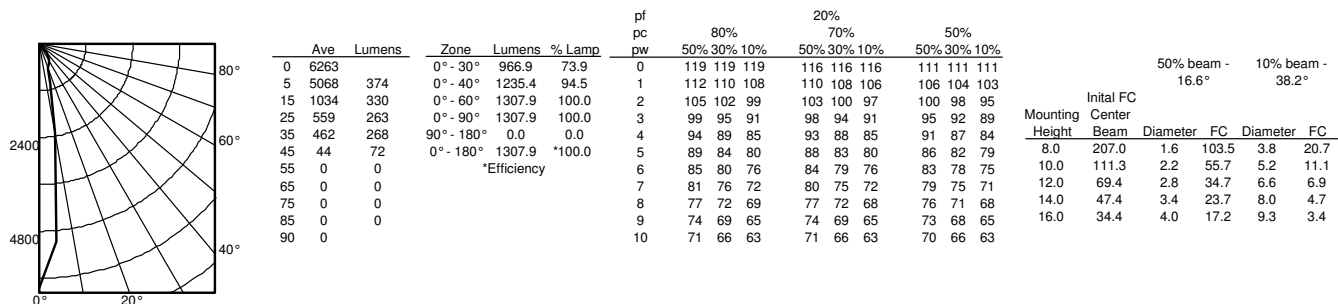
CCT MULTIPLIERS	
CCT	08LM - 28LM
2700K	0.9
3000K	0.96
3500K	1
4000K	1.02
5000K	1.04

CRI MULTIPLIERS	
CRI	08LM - 28LM
80CRI	1
90CRI	0.83
97CRI	0.80

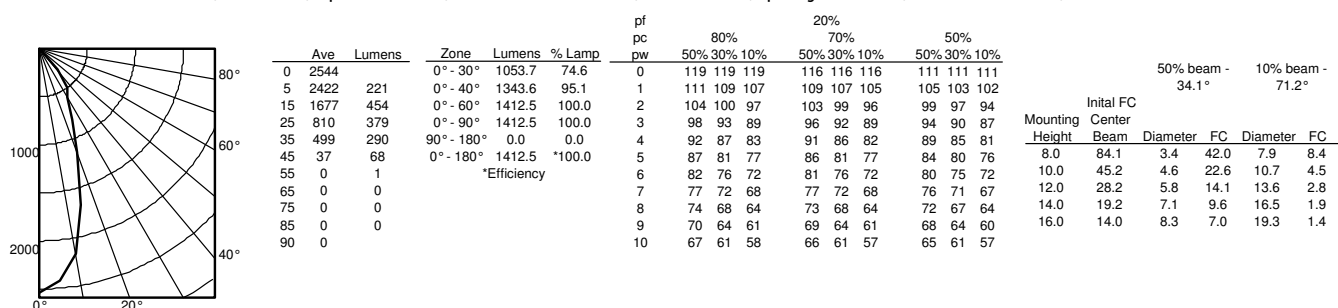
PHOTOMETRICS

Distribution Curve Distribution Data Output Data Coefficient of Utilization Illuminance Data at 30" Above Floor for a Single Luminaire

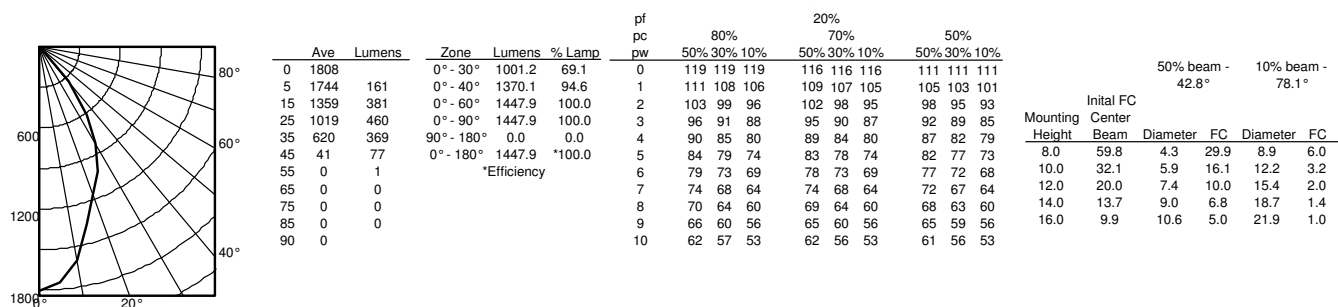
LC4S 13LM 35K + L4 HN CS, 3500K LEDs, input watts: 11.74, delivered lumens: 1307.9, LM/W = 111.4, Spacing Criteria: 0.3, test no. PR07172481, tested in accordance to IESNA LM-79.



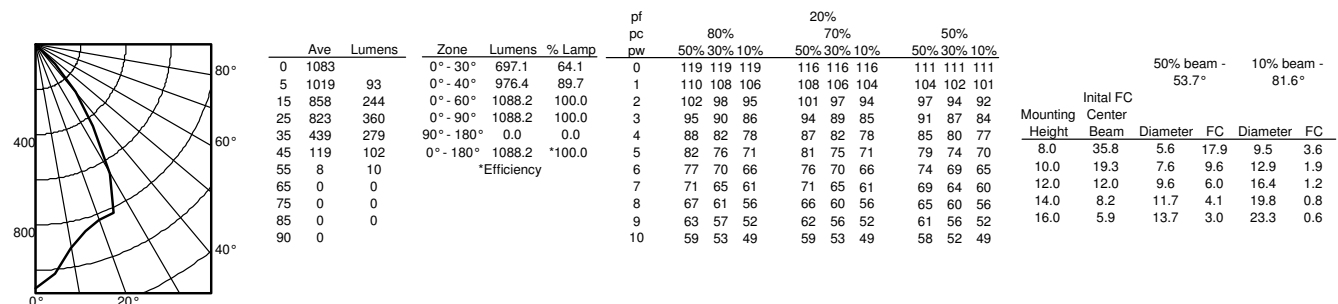
LC4S 13LM 35K + L4 HM CS, 3500K LEDs, input watts: 11.74, delivered lumens: 1412.5, LM/W = 120.3, Spacing Criteria: 0.6, test no. PR07172482, tested in accordance to IESNA LM-79.



LC4S 13LM 35K + L4 HW CS, 3500K LEDs, input watts: 11.74, delivered lumens: 1447.9, LM/W = 123.3, Spacing Criteria: 0.8, test no. PR07172483, tested in accordance to IESNA LM-79.



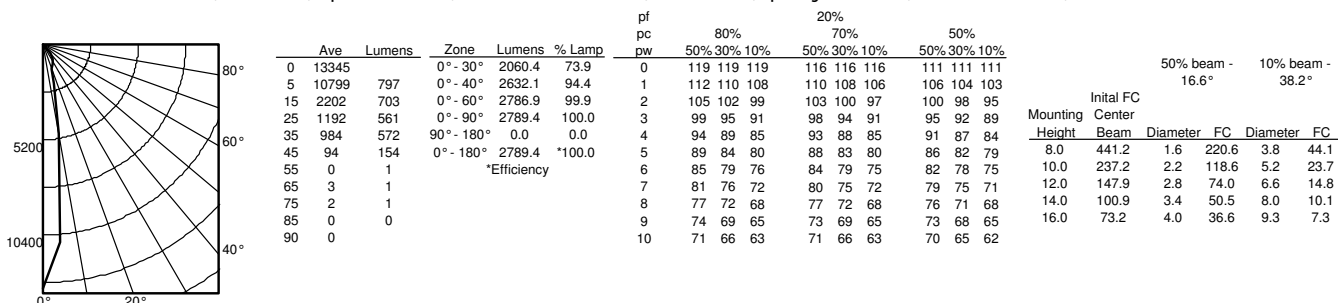
LC4S 13LM 35K + L4 P CS, 3500K LEDs, input watts: 11.74, delivered lumens: 1088.2, LM/W = 92.7, Spacing Criteria: 1.0, test no. PR07172484, tested in accordance to IESNA LM-79.



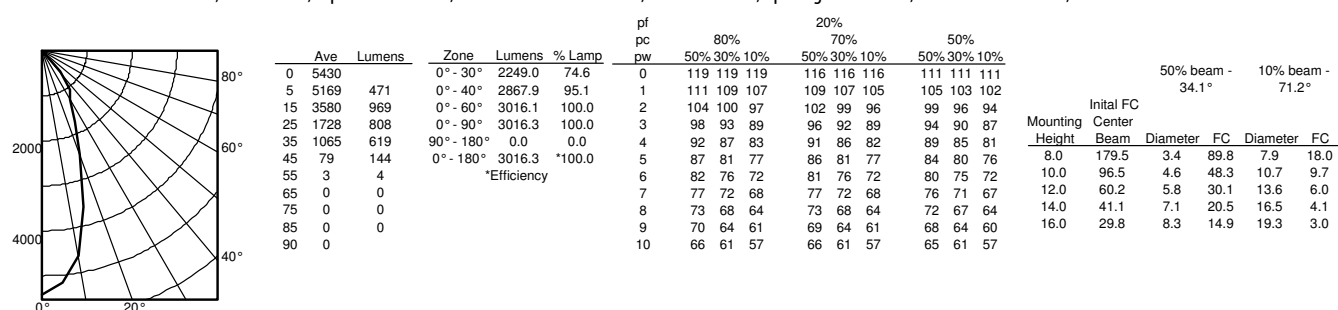
PHOTOMETRICS

Distribution Curve Distribution Data Output Data Coefficient of Utilization Illuminance Data at 30" Above Floor for a Single Luminaire

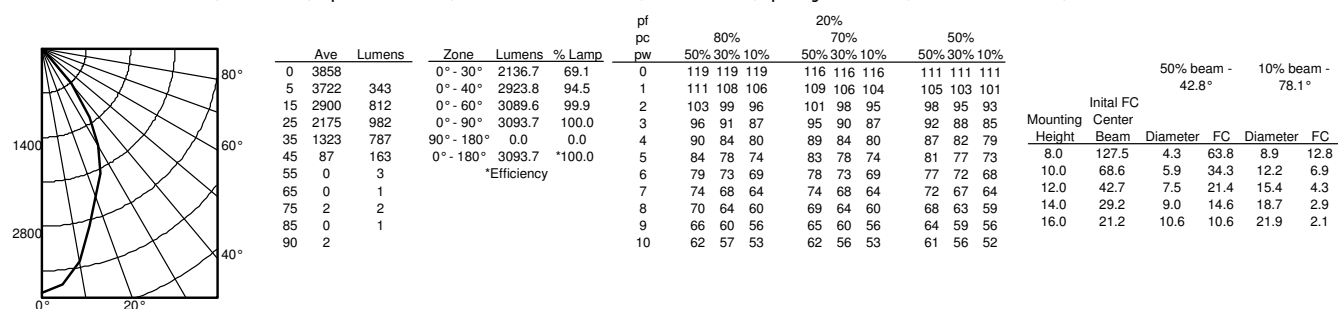
LC4S 28LM 35K + L4 HN CS, 3500K LEDs, input watts: 28.46, delivered lumens: 2789.2, LM/W = 98.0, Spacing Criteria: 0.3, test no. PR07172471, tested in accordance to IESNA LM-79.



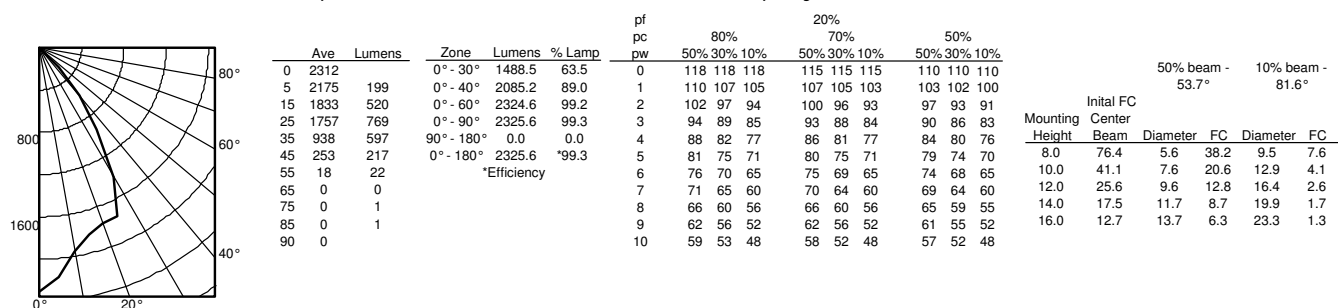
LC4S 28LM 35K + L4 HM CS, 3500K LEDs, input watts: 28.46, delivered lumens: 3016.3, LM/W = 106.0, Spacing Criteria: 0.6, test no. PR07172472, tested in accordance to IESNA LM-79.



LC4S 28LM 35K + L4 HW CS, 3500K LEDs, input watts: 28.46, delivered lumens: 3093.7, LM/W = 108.7, Spacing Criteria: 0.6, test no. PR07172473, tested in accordance to IESNA LM-79.



LC4S 28LM 35K + L4 P CS, 3500K LEDs, input watts: 28.46, delivered lumens: 2325.6, LM/W = 81.7, Spacing Criteria: 1.0, test no. PR07172474, tested in accordance to IESNA LM-79.



PERFORMANCE DATA

LUMINAIRES SPACED 2' FROM WALL

Catalog Number: LC4(X) 28LM 35K MVOLT G4 80CRI ZT; L4 HWS CD Spread: Single Wall Test #: PR06151992

Single Unit						Lamp	Multiple Units On 2' Centers*			Multiple Units On 3' Centers*			Multiple Units On 4' Centers*		
Lateral Distance From Fixture 2' From Wall						BXRA N4000 4000K	Spaced 2' From Wall			Spaced 2' From Wall			Spaced 2' From Wall		
0'	1'	2'	3'	4'	5'	Distance From Ceiling	CL	CL	CL	CL	CL	CL	CL	CL	CL
39	28	12	5	2	2	1'	64	62	64	47	40	47	42	24	42
49	38	19	8	4	3	2'	90	89	90	63	59	63	54	39	54
38	30	17	8	4	3	3'	75	74	75	53	50	53	44	34	44
28	24	16	9	5	3	4'	63	63	63	43	44	43	34	33	34
19	17	13	9	6	4	5'	50	51	50	35	35	35	27	28	27
13	12	10	8	6	4	6'	40	41	40	29	29	29	23	22	23
10	9	8	7	6	4	7'	33	34	33	24	25	24	19	19	19
8	8	7	6	5	5	8'	27	28	27	21	21	21	16	15	16
6	6	5	5	4	4	9'	21	22	21	16	17	16	13	12	13
4	4	4	3	3	3	10'	15	16	15	12	13	12	10	10	10

LUMINAIRES SPACED 3' FROM WALL

Catalog Number: LC4(X) 28LM 35K MVOLT G4 80CRI ZT; L4 HWS CD Spread: Single Wall Test #: PR06151992

Single Unit						Lamp	Multiple Units On 3' Centers*			Multiple Units On 4' Centers*			Multiple Units On 5' Centers*		
Lateral Distance From Fixture 3' From Wall						BXRA N4000 4000K	Spaced 3' From Wall			Spaced 3' From Wall			Spaced 3' From Wall		
0'	1'	2'	3'	4'	5'	Distance From Ceiling	CL	CL	CL	CL	CL	CL	CL	CL	CL
15	12	8	5	3	2	1'	23	22	23	19	17	19	15	9	15
26	23	15	9	5	4	2'	43	43	43	34	32	34	27	17	27
23	20	15	10	6	4	3'	42	42	42	32	32	32	24	19	24
20	17	13	9	6	4	4'	38	36	38	30	28	30	22	18	22
17	16	12	9	6	4	5'	34	35	34	27	27	27	19	17	19
14	13	11	9	6	5	6'	31	31	31	24	24	24	17	16	17
11	10	9	8	6	5	7'	27	28	27	22	22	22	15	15	15
9	9	8	7	6	5	8'	24	24	24	19	19	19	13	13	13
7	7	6	5	5	4	9'	19	20	19	15	16	15	11	10	11
5	5	5	4	4	4	10'	15	15	15	12	13	12	9	8	9

*Based on minimum of five luminaires. Reflectances: 80, 50, 20. Values are rounded to nearest whole footcandle.

Fixtures tested to IES recommended standard for solid state lighting per LM-79-08. Photometric performance on a single unit represents a baseline of performance for the fixture. Results may vary in the field.

PERFORMANCE DATA

LUMINAIRES SPACED 2' FROM WALL

Catalog Number: LC4(X) 28LM 35K MVOLT G4 80CRI ZT; L4 WS CSS Spread: Single Wall Test #: PR06151991

Single Unit						Lamp	Multiple Units On 2' Centers*			Multiple Units On 3' Centers*			Multiple Units On 4' Centers*		
Lateral Distance From Fixture 2' From Wall						BXRA N4000 4000K	Spaced 2' From Wall			Spaced 2' From Wall			Spaced 2' From Wall		
0'	1'	2'	3'	4'	5'	Distance From Ceiling	CL	CL	CL	CL	CL	CL	CL	CL	
19	12	5	3	2	2	1'	30	27	30	24	17	24	22	10	22
42	26	10	5	3	3	2'	63	59	63	51	35	51	46	20	46
47	36	17	7	4	3	3'	84	84	84	60	56	60	53	34	53
29	27	19	10	5	4	4'	70	70	70	47	51	47	37	38	37
19	18	15	10	6	4	5'	55	55	55	38	39	38	29	31	29
13	13	11	9	7	5	6'	44	44	44	32	32	32	24	25	24
10	10	9	8	6	5	7'	36	37	36	27	27	27	21	21	21
8	8	7	6	6	5	8'	30	31	30	23	24	23	18	17	18
6	6	6	5	5	4	9'	23	24	23	18	19	18	14	14	14
4	4	4	4	4	3	10'	17	17	17	14	14	14	11	11	11

LUMINAIRES SPACED 3' FROM WALL

Catalog Number: LC4(X) 28LM 35K MVOLT G4 80CRI ZT; L4 WS CSS Spread: Single Wall Test #: PR06151991

Single Unit						Lamp	Multiple Units On 3' Centers*			Multiple Units On 4' Centers*			Multiple Units On 5' Centers*		
Lateral Distance From Fixture 3' From Wall						BXRA N4000 4000K	Spaced 3' From Wall			Spaced 3' From Wall			Spaced 3' From Wall		
0'	1'	2'	3'	4'	5'	Distance From Ceiling	CL	CL	CL	CL	CL	CL	CL	CL	
8	6	4	3	2	2	1'	13	12	13	11	9	11	9	5	9
15	12	7	4	3	3	2'	22	21	22	20	16	20	16	8	16
23	18	11	6	4	4	3'	34	32	34	29	22	29	24	11	24
25	22	15	8	5	4	4'	41	41	41	33	31	33	27	16	27
19	18	15	10	7	5	5'	39	39	39	29	31	29	22	19	22
14	14	12	10	8	6	6'	34	35	34	27	28	27	18	19	18
11	11	10	9	7	6	7'	30	31	30	23	24	23	16	17	16
9	9	8	8	6	6	8'	26	27	26	20	22	20	14	14	14
7	7	6	6	5	5	9'	21	22	21	17	18	17	12	12	12
5	5	5	4	4	4	10'	17	17	17	13	14	13	9	9	9

*Based on minimum of five luminaires. Reflectances: 80, 50, 20. Values are rounded to nearest whole footcandle.

Fixtures tested to IES recommended standard for solid state lighting per LM-79-08. Photometric performance on a single unit represents a baseline of performance for the fixture. Results may vary in the field.

CONTROLS

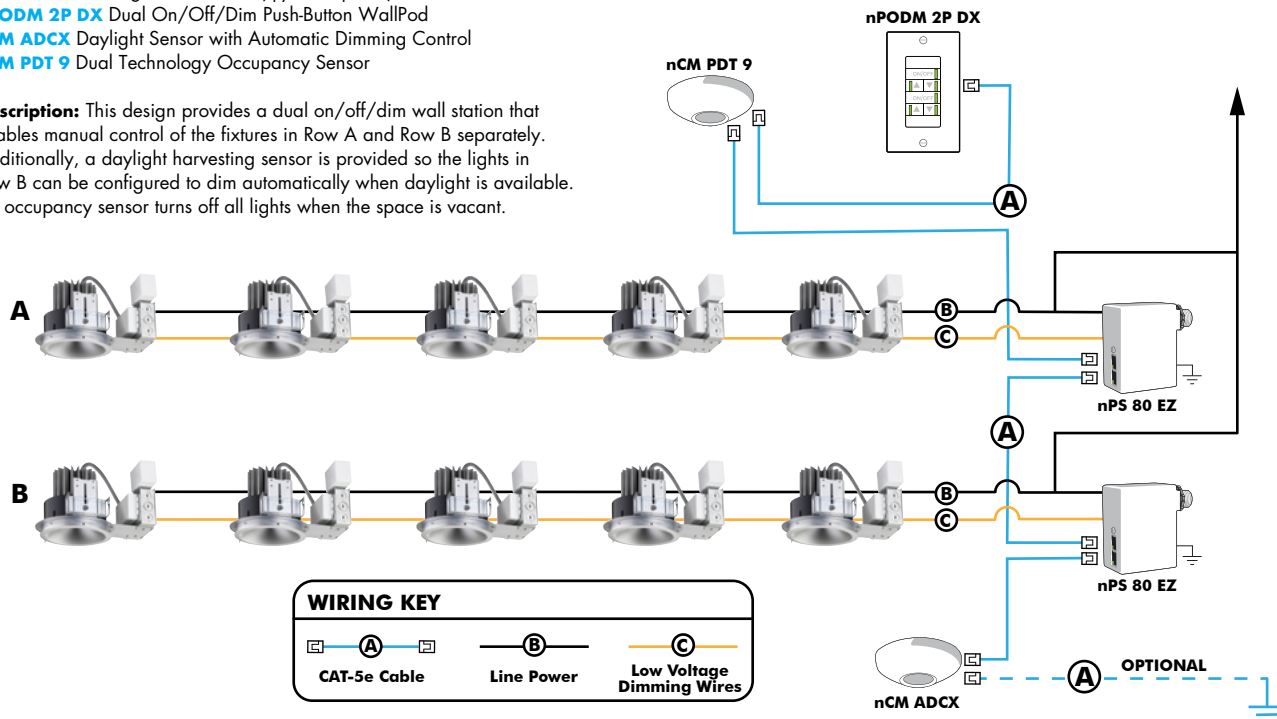
EXAMPLE

Group Fixture Control*

*Application diagram applies for fixtures with eldoLED drivers only.

- nPS 80 EZ** Dimming/Control Pack (qty: 2 required)
- nPODM 2P DX** Dual On/Off/Dim Push-Button WallPod
- nCM ADCX** Daylight Sensor with Automatic Dimming Control
- nCM PDT 9** Dual Technology Occupancy Sensor

Description: This design provides a dual on/off/dim wall station that enables manual control of the fixtures in Row A and Row B separately. Additionally, a daylight harvesting sensor is provided so the lights in Row B can be configured to dim automatically when daylight is available. An occupancy sensor turns off all lights when the space is vacant.



Choose Wall Controls

nLight offers multiple styles of wall controls - each with varying features and user experience.



Push-Button Wallpod
Traditional tactile buttons and LED user feedback

Graphic Wallpod
Full color touch screen provides a sophisticated look and feel

nLight® Wired Controls Accessories:

Order as separate catalog number. Visit www.acuitybrands.com/products/controls/nlight for complete listing of nLight controls.			
WallPod Stations	Model number	Occupancy sensors	Model Number
On/Off	nPODM (Color)	Small motion 360°, ceiling (PIR/dual Tech)	nCM 9 / nCM PDT 9
On/Off & Raise/Lower	nPOD DX (Color)	Large motion 360°, ceiling (PIR/dual tech)	nCM 10 / nCM PDT 10
Graphic Touchscreen	nPOD GFX (Color)	Wide View (PIR/dual tech)	nWV 16 / nWV PDT 16
Photocell controls	Model Number	Wall Switch w/ Raise/Lower (PIR/dual tech)	nWSX LV DX / nWSX PDT LV DX
Dimming	nCM ADCX	Cat-5 cables (plenum rated)	Model Number
		10', CAT5 10FT	CAT5 10FT J1
		15, CAT5 15FT	CAT5 15FT J1



Capable Luminaire

This item is an A+ capable luminaire, which has been designed and tested to provide consistent color appearance and out-of-the-box control compatibility with simple commissioning.

- All configurations of this luminaire meet the Acuity Brand's specification for chromatic consistency.
- This luminaire is part of an A+ Certified solution for nLight control networks when ordered with drivers marked by a Shaded background*
- This Luminaire is part of an A+ Certified solution for nLight control networks, providing advanced control functionality at the luminaire level, when selection includes driver and control options marked by a shaded background*

To learn more about A+, visit www.acuitybrands.com/aplus.

*See ordering tree for details

nLight® AIR Control Accessories:	
<i>Order as separate catalog number. Visit www.acuitybrands.com/products/controls/nlightair.</i>	
Wall switches	Model number
On/Off single pole	rPODB [color]
On/Off two pole	rPODB 2P [color]
On/Off & raise/lower single pole	rPODB DX [color]
On/Off & raise/lower two pole	rPODB 2P DX [color]
On/Off & raise/lower single pole	rPODBZ DX WH ¹

Notes

1 Can only be ordered with the RES7Z zone control sensor version.

nLight AIR

nLight AIR is the ideal solution for retrofit or new construction spaces where adding communication is cost prohibitive. The integrated nLight AIR rPP20 Power Pack is part of each Indy L-Series Luminaire. These individually addressable controls offer the ultimate in flexibility during initial setup and for space repurposing.



Simple as 1,2,3

1. Install the nLight® AIR fixtures with embedded smart sensor
2. Install the wireless battery-powered wall switch
3. With CLAIRITY app, pair the fixtures with the wall switch and if desired, customize the sensor settings for the desired outcome

