

**READ AND FOLLOW ALL SAFETY INSTRUCTIONS!  
SAVE THESE INSTRUCTIONS AND DELIVER TO OWNER AFTER INSTALLATION**

- To reduce the risk of death, personal injury or property damage from fire, electric shock, falling parts, cuts/abrasions, and other hazards please read all warnings and instructions included with and on the fixture box and all fixture labels.
- Before installing, servicing, or performing routine maintenance upon this equipment, follow these general precautions.
- Installation and service of luminaires should be performed by a **qualified licensed electrician**.
- Maintenance of the luminaires should be performed by person(s) familiar with the luminaires' construction and operation and any hazards involved. Regular fixture maintenance programs are recommended.
- It will occasionally be necessary to clean the outside of the refractor/lens. Frequency of cleaning will depend on ambient dirt level and minimum light output which is acceptable to user. Refractor/lens should be washed in a solution of warm water and any mild, non-abrasive household detergent, rinsed with clean water and wiped dry. Should optical assembly become dirty on the inside, wipe refractor/lens and clean in above manner, replacing damaged gaskets as necessary.
- **DO NOT INSTALL DAMAGED PRODUCT!** This luminaire has been properly packed so that no parts should have been damaged during transit. Inspect to confirm. Any part damaged or broken during or after assembly should be replaced.
- Recycle: For information on how to recycle LED electronic products, please visit [www.epa.gov](http://www.epa.gov).
- These instructions do not purport to cover all details or variations in equipment nor to provide every possible contingency to meet in connection with installation, operation, or maintenance. Should further information be desired or should particular problems arise which are not covered sufficiently for the purchaser's or owner's purposes, this matter should be referred to Acuity Brands Lighting, Inc.



**WARNING  
RISK OF ELECTRIC SHOCK**

- ✓ Disconnect or turn off power before installation or servicing.
- ✓ Verify that supply voltage is correct by comparing it with the luminaire label information.
- ✓ Make all electrical and grounded connections in accordance with the National Electrical Code (NEC) and any applicable local code requirements.
- ✓ All wiring connections should be capped with UL approved recognized wire connectors.



**WARNING  
RISK OF BURN**

- ✓ Allow lamp/fixture to cool before handling. Do not touch enclosure or light source.
- ✓ Do not exceed maximum wattage marked on luminaire label.
- ✓ Follow all manufacturer's warnings, recommendations and restrictions for: driver type, burning position, mounting locations/methods, replacement and recycling.



**CAUTION  
RISK OF INJURY**

- ✓ Wear gloves and safety glasses at all times when removing luminaire from carton, installing, servicing or performing maintenance.
- ✓ Avoid direct eye exposure to the light source while it is on.



**CAUTION  
RISK OF FIRE**

- ✓ Keep combustible and other materials that can burn, away from lamp/lens.
- ✓ Do not operate in close proximity to persons, combustible materials or substances affected by heat or drying.



**CAUTION: RISK OF PRODUCT DAMAGE**

- ✓ Never connect components under load.
- ✓ Do not mount or support these fixtures in a manner that can cut the outer jacket or damage wire insulation.
- ✓ Unless individual product specifications deem otherwise: Never connect an LED product directly to a dimmer packs, occupancy sensors, timing devices, or other related control devices. LED fixtures must be powered directly off a switched circuit.
- ✓ Unless individual product specifications deem otherwise: Do not restrict fixture ventilation. Allow for some volume of airspace around fixture. Avoid covering LED fixtures with insulation, foam, or other material that will prevent convection or conduction cooling.
- ✓ Unless individual product specifications deem otherwise: Do not exceed fixtures maximum ambient temperature.
- ✓ Only use fixture in its intended location.
- ✓ LED products are Polarity Sensitive. Ensure proper Polarity before installation.
- ✓ Electrostatic Discharge (ESD): ESD can damage LED fixtures. Personal grounding equipment must be worn during all installation or servicing of the unit.
- ✓ Do not touch individual electrical components as this can cause ESD, shorten lamp life, or alter performance.
- ✓ Some components inside the fixture may not be serviceable. In the unlikely event your unit may require service, stop using the unit immediately and contact an ABL representative for assistance.
- ✓ Always read the fixtures complete installation instructions prior to installation for any additional fixture specific warnings.

**Please see product specific installation instructions for additional warnings or any applicable FCC or other regulatory statements.**

**Failure to follow any of these instructions could void product warranties. For a complete listing of product Terms and Conditions, please visit [www.acuitybrands.com](http://www.acuitybrands.com).**

<b>Our Brands</b>	Indoor/Outdoor Lithonia Lighting Carandini Holophane RELOC Light Concepts	Indoor Lighting Gotham Mark Architectural Lighting Peerless Renaissance Lighting Winona Lighting	Outdoor Lighting American Electric Lighting Antique Street Lamps Hydrel Tersen	Controls DARK TO LIGHT LC&D ROAM Sensor Switch Synergy	Daylighting SunOptics
-------------------	--	---	--	---	--------------------------

**Acuity Brands Lighting, Inc. assumes no responsibility for claims arising out of improper or careless installation or handling of its products.**

ABL LED General Warnings, Form No. 503.203

© 2010 Acuity Brands Lighting, Inc. All rights reserved. 12/01/10

**THIS PRODUCT MUST BE INSTALLED IN ACCORDANCE WITH THE APPLICABLE INSTALLATION CODE BY A PERSON FAMILIAR WITH THE CONSTRUCTION AND OPERATION OF THE PRODUCT AND THE HAZARDS INVOLVED**

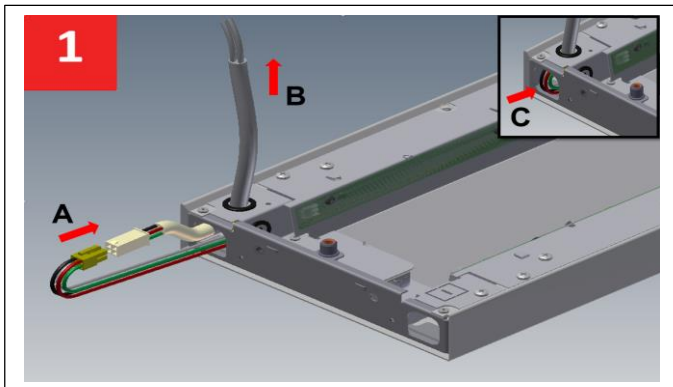
**CE PRODUIT DOIT ÊTRE INSTALLÉ SELON LE CODE D'INSTALLATION PERTINENT, PAR UNE PERSONNE QUI CONNAÎT BIEN LE PRODUIT ET SON FONCTIONNEMENT AINSI QUE LES RISQUES INHÉRENTS**

## Installation Instructions

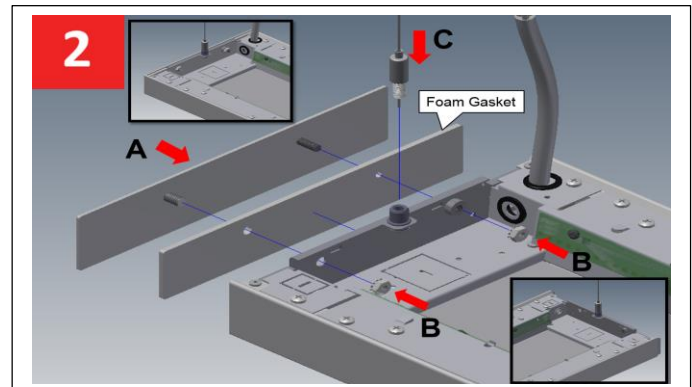
**\*\*Caution: MAKE SURE LUMINAIRE IS MOUNTED TO A SECURE STRUCTURE. USE APPROPRIATE MOUNTING HARDWARE TO INSTALL FIXTURE RATED FOR YOUR APPLICATION. FAILURE TO MOUNT FIXTURE CORRECTLY COULD RESULT IN SERIOUS INJURY.**

KEEP THESE INSTALLATION INSTRUCTIONS / CONSERVEZ CES INSTRUCTIONS D'INSTALLATION

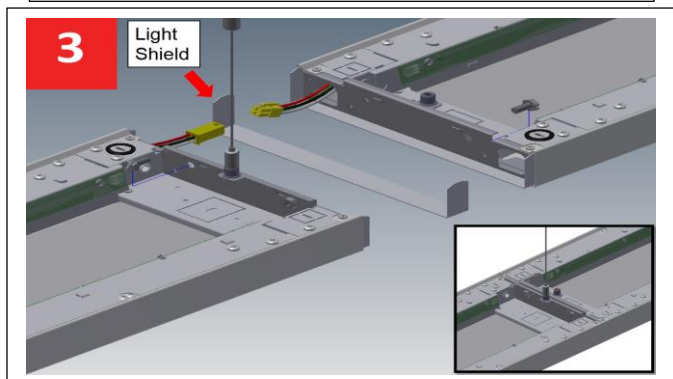
### A) Cable-Mounted Installation



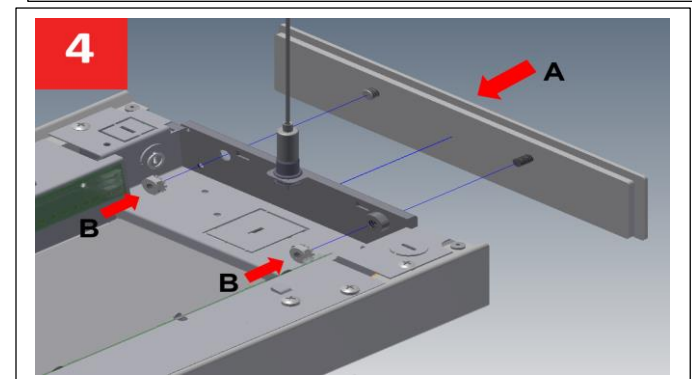
Knock out circular KO indicated above. Insert power cord and bushing through knockout on the first fixture at the male connector end. Plug together the wire connectors and push connectors into the luminaire housing.



Apply foam gasket to end-cap. Install end-cap with provided 1/4 -20 and #10 nut. Ensure the foam gasket does not protrude out of the luminaire. Screw cable studs into hangers. Raise luminaire into position.  
NOTE: Do not use cord manager when O.A.S is less than 18".

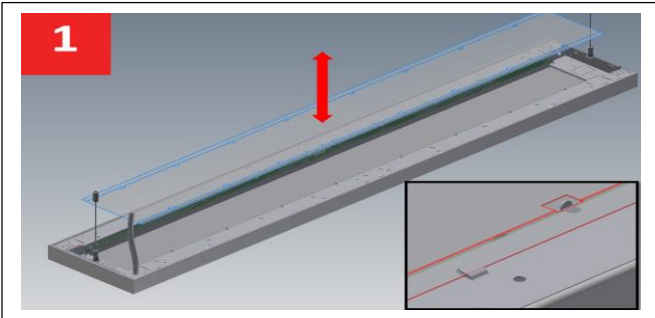


Screw cable stud to second luminaire at the end with female connector. Raise the luminaire into position and plug-in wire connectors. Fasten luminaires together with (2) 1/4-20 screws and with the light shield in between. Adjust the cable studs to level the luminaires.



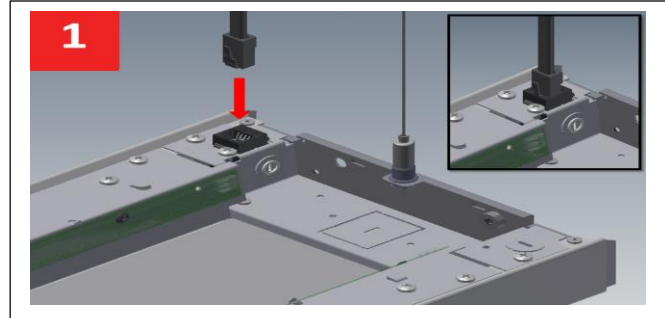
Repeat Step 3 until last luminaire in the row is hung. Secure the hanger and install end-cap as described in Step 2 to complete the luminaire row. Level the entire luminaire row. Tighten lock nuts on all fixed cable studs to complete the installation.

**B) Dust Cover (DU) Cleaning/Maintenance**



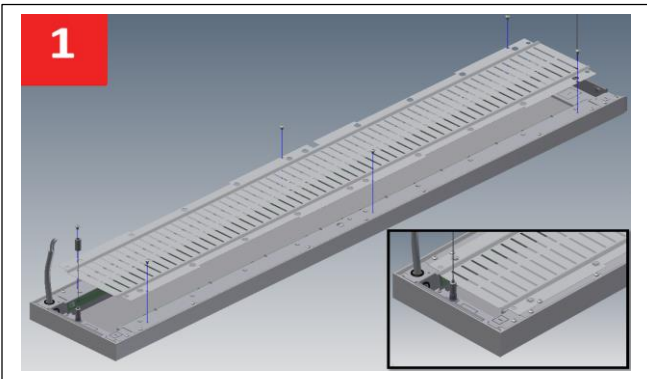
For optional Dust Cover, simply remove the dust cover for cleaning during maintenance and then insert atop the luminaire by locating edges of cover and the hold down tabs of the luminaire as shown.

**C) Cat-5e Installation for Network enabled luminaire**

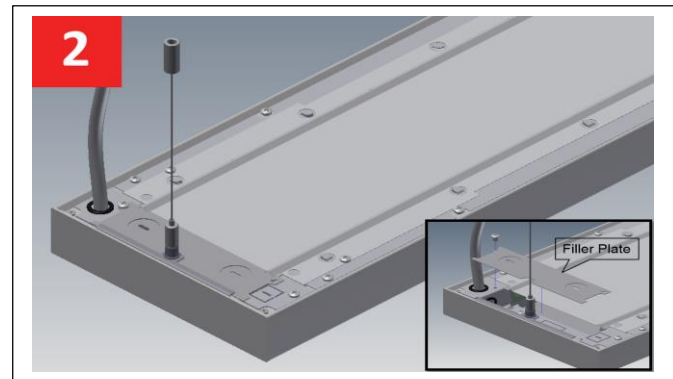


Connect Cat-5e cable into connector available on the luminaire.

**D) Variable Distribution Reflector (VDR) Cleaning/Maintenance**

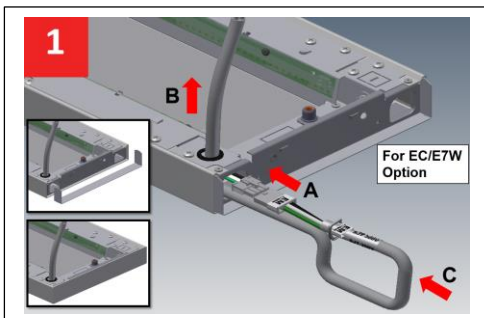


For optional VDR with 20/80 distribution, simply remove the VDR for cleaning by removing the #8 screws (6) securing the VDR to the luminaire. Restore part by reversing steps taken to remove VDR.

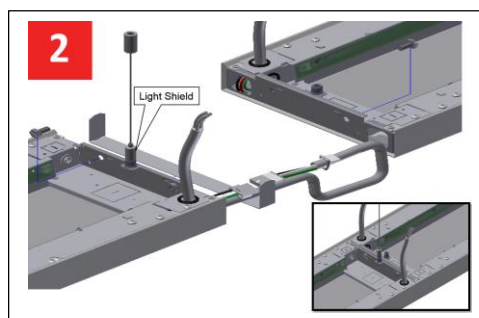


For optional VDR with 0/100 distribution, in addition to Step 1, remove/re-insert the VDR filler plate at each end of the luminaire with provided screws for both maintenance and joining luminaires together.

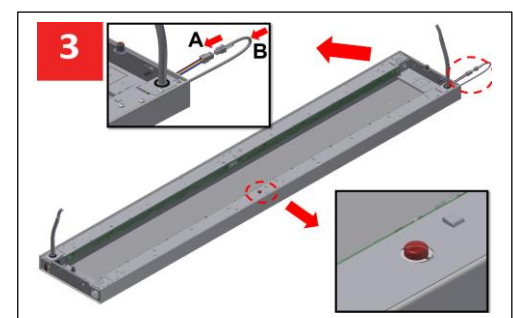
**E) Emergency Circuits/Emergency Lighting Installation**



Knock out circular KO where the 1x4 Connector is located. Connect the EM connectors, rout the EM cord out the circular KO, and push connectors into luminaire housing. Apply light shield or endcap to the luminaire end.



Complete section row by joining and hanging as indicated in Section A – Cable Mounted Installation, if needed.



\*For E7W Option, connect the battery pack harness and test switch harness together. Place connectors back into the luminaire and complete section row installation. Press test switch to verify if luminaire section dims, to indicate the battery is functional.

\*Max. Mounting Height of 10 feet, Max. Hauteur de 10 pieds de montage