





**READ AND FOLLOW ALL SAFETY INSTRUCTIONS!
SAVE THESE INSTRUCTIONS AND DELIVER TO OWNER AFTER INSTALLATION**

- To reduce the risk of death, personal injury or property damage from fire, electric shock, falling parts, cuts/abrasions, and other hazards please read all warnings and instructions included with and on the fixture box and all fixture labels.
- Before installing, servicing, or performing routine maintenance upon this equipment, follow these general precautions.
- Installation and service of luminaires should be performed by a qualified licensed electrician.
- Maintenance of the luminaires should be performed by person(s) familiar with the luminaires' construction and operation and any hazards involved. Regular fixture maintenance programs are recommended.
- It will occasionally be necessary to clean the outside of the refractor/lens. Frequency of cleaning will depend on ambient dirt level and minimum light output which is acceptable to user. Refractor/lens should be washed in a solution of warm water and any mild, non-abrasive household detergent, rinsed with clean water and wiped dry. Should optical assembly become dirty on the inside, wipe refractor/lens and clean in above manner, replacing damaged gaskets as necessary.
- **DO NOT INSTALL DAMAGED PRODUCT!** This luminaire has been properly packed so that no parts should have been damaged during transit. Inspect to confirm. Any part damaged or broken during or after assembly should be replaced.
- **Recycle:** For information on how to recycle LED electronic products, please visit www.epa.gov.
- These instructions do not purport to cover all details or variations in equipment nor to provide every possible contingency to meet in connection with installation, operation, or maintenance. Should further information be desired or should particular problems arise which are not covered sufficiently for the purchaser's or owner's purposes, this matter should be referred to Acuity Brands Lighting, Inc.

<div style="text-align: center; border: 1px solid black; padding: 5px; margin-bottom: 10px;">  <p>WARNING RISK OF ELECTRIC SHOCK</p> </div> <ul style="list-style-type: none"> ✓ Disconnect or turn off power before installation or servicing. ✓ Verify that supply voltage is correct by comparing it with the luminaire label information. ✓ Make all electrical and grounded connections in accordance with the National Electrical Code (NEC) and any applicable local code requirements. ✓ All wiring connections should be capped with UL approved recognized wire connectors. 	<div style="text-align: center; border: 1px solid black; padding: 5px; margin-bottom: 10px;">  <p>WARNING RISK OF BURN</p> </div> <ul style="list-style-type: none"> ✓ Allow lamp/fixture to cool before handling. Do not touch enclosure or light source. ✓ Do not exceed maximum wattage marked on luminaire label. ✓ Follow all manufacturer's warnings, recommendations and restrictions for: driver type, burning position, mounting locations/methods, replacement and recycling.
---	--

<div style="text-align: center; border: 1px solid black; padding: 5px; margin-bottom: 10px;">  <p>CAUTION RISK OF INJURY</p> </div> <ul style="list-style-type: none"> ✓ Wear gloves and safety glasses at all times when removing luminaire from carton, installing, servicing or performing maintenance. ✓ Avoid direct eye exposure to the light source while it is on. 	<div style="text-align: center; border: 1px solid black; padding: 5px; margin-bottom: 10px;">  <p>CAUTION RISK OF FIRE</p> </div> <ul style="list-style-type: none"> ✓ Keep combustible and other materials that can burn, away from lamp/lens. ✓ Do not operate in close proximity to persons, combustible materials or substances affected by heat or drying.
--	---

LED IMPORTANT SAFETY INSTRUCTIONS



CAUTION: RISK OF PRODUCT DAMAGE

- ✓ Never connect components under load.
- ✓ Do not mount or support these fixtures in a manner that can cut the outer jacket or damage wire insulation.
- ✓ Controls for dimming, auto-sensing, or remote control of a luminaire that are not factory-wired to the luminaire must be checked for compatibility with the luminaire prior to installation. LED fixtures must be powered directly off a switched circuit.
- ✓ Unless individual product specifications deem otherwise: Do not restrict fixture ventilation. Allow for some volume of airspace around fixture. Avoid covering LED fixtures with insulation, foam, or other material that will prevent convection or conduction cooling.
- ✓ Unless individual product specifications deem otherwise: Do not exceed fixtures maximum ambient temperature.
- ✓ Only use fixture in its intended location.
- ✓ LED products are Polarity Sensitive. Ensure proper Polarity before installation.
- ✓ Electrostatic Discharge (ESD): ESD can damage LED fixtures. Personal grounding equipment must be worn during all installation or servicing of the unit.
- ✓ Do not touch individual electrical components as this can cause ESD, shorten lamp life, or alter performance.
- ✓ Some components inside the fixture may not be serviceable. In the unlikely event your unit may require service, stop using the unit immediately and contact an ABL representative for assistance.
- ✓ Always read the fixtures complete installation instructions prior to installation for any additional fixture specific warnings.

Please see product specific installation instructions for additional warnings or any applicable FCC or other regulatory statements.

Failure to follow any of these instructions could void product warranties. For a complete listing of product Terms and Conditions, please visit www.acuitybrands.com.

Our Brands	Indoor/Outdoor Lithonia Lighting Carandini Holophane RELOC Light Concepts	Indoor Lighting Gotham Mark Architectural Lighting Peerless Renaissance Lighting Winona Lighting	Outdoor Lighting American Electric Lighting Antique Street Lamps Hydrel Tersen	Controls DARK TO LIGHT LC&D ROAM Sensor Switch Synergy	Daylighting SunOptics
------------	--	---	--	---	--------------------------

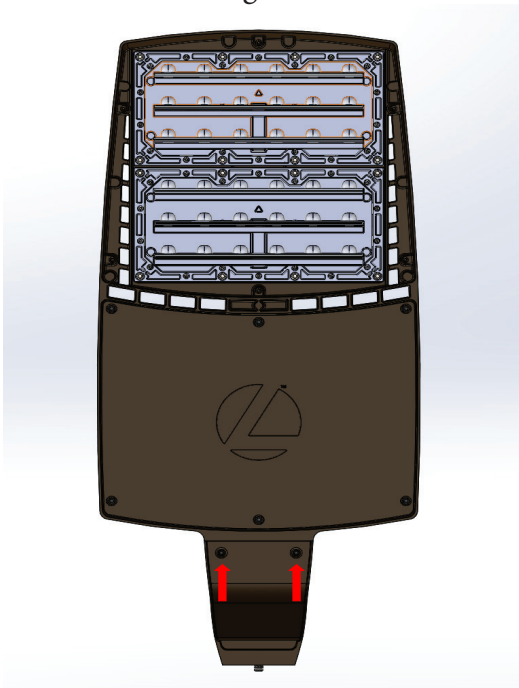
Acuity Brands Lighting, Inc. assumes no responsibility for claims arising out of improper or careless installation or handling of its products.

ABL LED General Warnings, Form No. 503.203

© 2010 Acuity Brands Lighting, Inc. All rights reserved. 12/01/10



Figure 1



DELIVERY: Upon receipt of fixture and accessories (packed separately), thoroughly inspect for any freight damage. All damage should be reported to the delivery carrier. Compare the catalog description listed on the packing slip with the fixture label on the inside of the housing to be sure you have received the correct merchandise.

This device complies with Part 15 of the FCC Rules. Operation is subject to the following two conditions: (1) this device may not cause harmful interference, and (2) this device must accept any interference received, including interference that may cause undesired operation.

RSX SPA/RPA INSTALLATION INSTRUCTION

Tools Required: Socket wrenches: 3/8"; Allen wrench: 5/32"

Minimum square pole: 3.5" face

Minimum round pole: 3.2" diameter

1. Loosen two captive screws on cover of the SPA to access the pole mounting area (See Figure 1).
2. Two mounting bars are included in the installation kit:
 - a. The shorter bar is used for #8 Lithonia drilling and has 3 holes. The top and bottom hole are threaded.
 - b. The longer bar has 1 top hole and a slot with a sliding threaded hole to be used on poles with existing drill patterns.

3. Hold the first bar (See Figure 2a) with 3 holes up to the mounting holes on the pole and if they align use that bar. Use the bar (See Figure 2b) with the sliding thread for all other patterns.

Insert one 3/8 mounting bolt through the top hole of the pole. Thread this bolt into the flat bar (See Figure 2a) stock top hole. If the pole has a different hole pattern, use the bar (See Figure 2b) with the slide on it. For a round pole, the round pole adapter (RPA) is required which is placed between the pole and the fixture as shown with curved side contacting pole and flat side facing away from pole (See Figure 2c).

Figure 2a

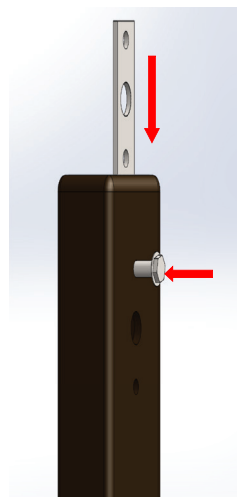


Figure 2b

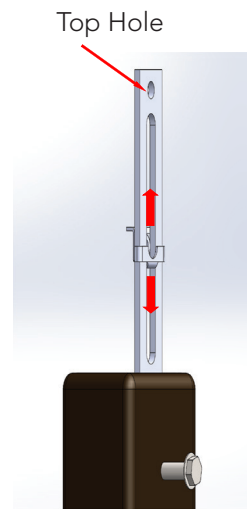
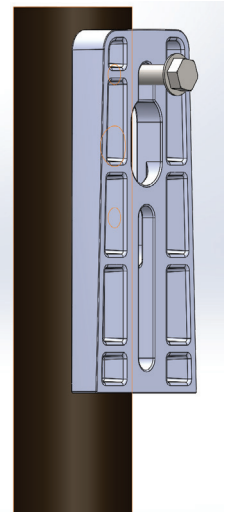


Figure 2c



Installation Instructions
RSX LED

4. The luminaire is supplied with a variety of slots to align with existing pole mounting drill patterns. The top hole of the luminaire arm has a key hole slot.

Place the luminaire onto the top bolt by passing the head through the key slot and resting the luminaire down securely in place (See Figure 3).

WARNING: THE LUMINAIRE IS NOT COMPLETELY LOCKED DOWN YET. SPECIAL CARE MUST BE TAKEN TO AVOID JARRING THE LUMINAIRE FROM ITS RESTING POINT, OTHERWISE THE LUMINAIRE COULD FALL AND CAUSE SERIOUS INJURY OR DEATH!

Ensure the luminaire is resting securely on the top bolt. Snug the bolt but do not completely tighten. Thread the second bolt through the arm slot and into the available threaded hole of the mounting bar (See Figure 4).

5. The luminaire is supplied with a clearance slot in the back to allow wires to be pulled into the pole on existing hole patterns. Insert the wires through the clearance slot shown in Figure 5 and pull them into the pole.

6. Ensure luminaire is straight/level making sure that no wires are pinched, tighten the two bolts with a 3/8 socket to 20-30 ft-lbs (overtightening can damage components and void warranties). Make sure that wires are not pinched and tuck excess wire up into the luminaire mounting area.

7. Reinstall the SPA Cover that was removed, tighten the two captive screws with the 9/64 Allen wrench to 18-20 in-lbs (overtighten can cause thread stripping and void all warranties)(See Figure 6).

8. Make wire connections in the pole, observing proper voltage and polarity. Connect green ground wire from the fixture to the field ground wire. Secure wires; push back into pole and replace pole cap.

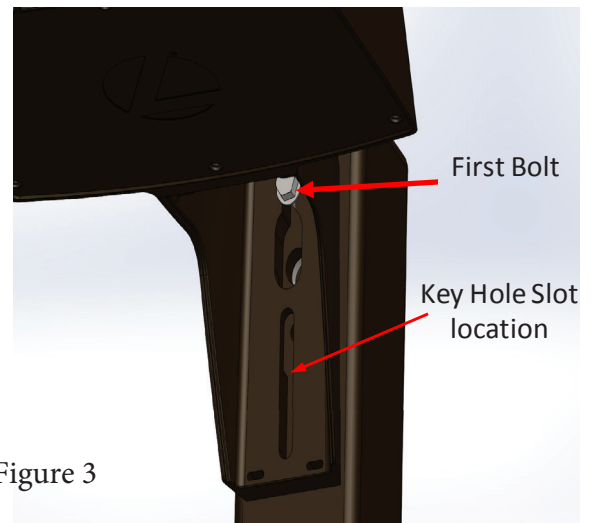
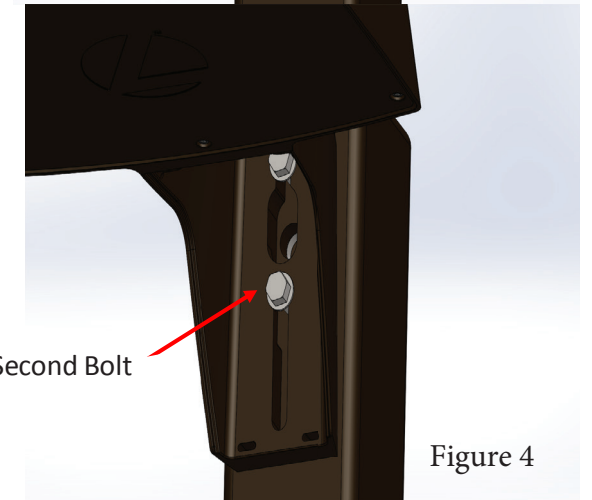


Figure 3



Second Bolt

Figure 4

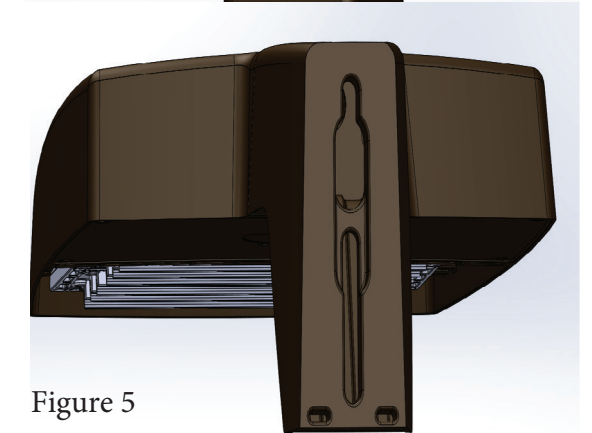


Figure 5

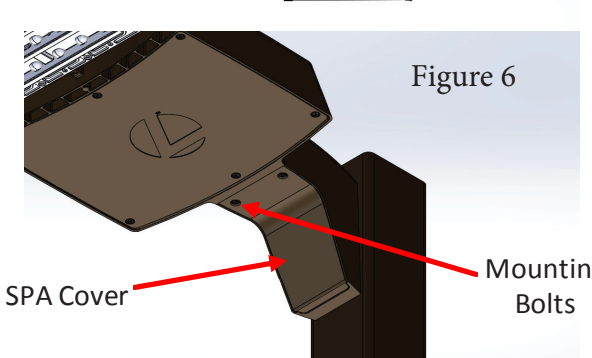


Figure 6

SPA Cover

Mounting Bolts



Installation Instructions
RSX LED

RSX MAST ARM ADAPTOR INSTALLATION

Tools Required: Socket wrenches: 5/8"; Allen wrench: 5/16"
Minimum tenon/pole diameter: 2" schedule 40 pipe (2-3/8" OD)

1. Slip luminaire Mast Arm Mount over 2-3/8"Ø pole tenon (See Figure 7a).
2. Use provided set screws and secure the luminaire in required position.
3. Use thru-bolt hole provided as pilot and drill 1/2" Ø hole on tenon through mast arm from both side (See Figure 7b).

Figure 7a

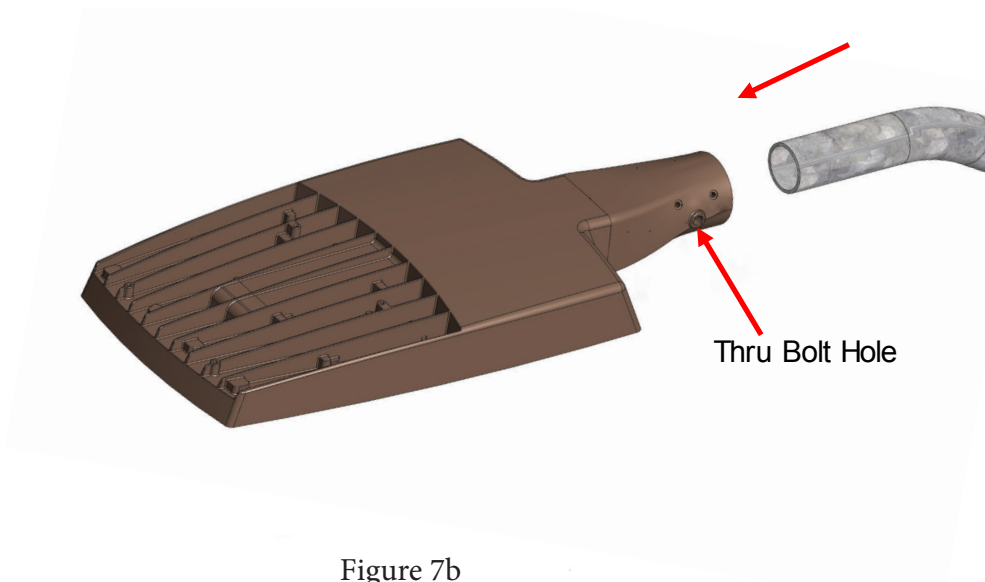
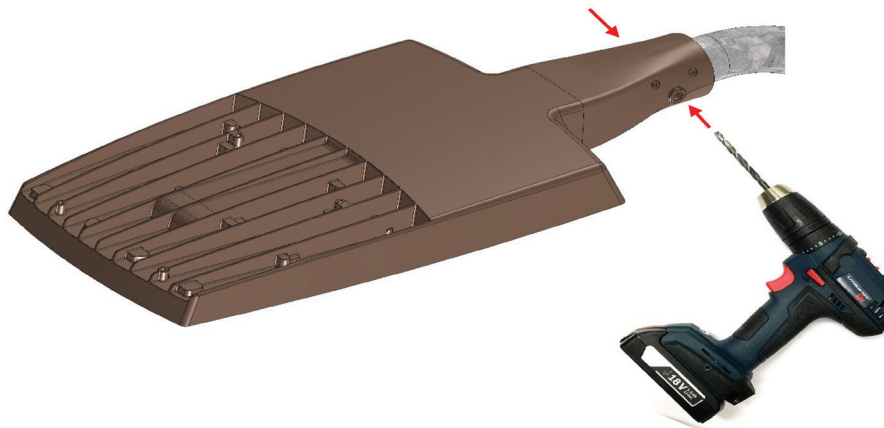
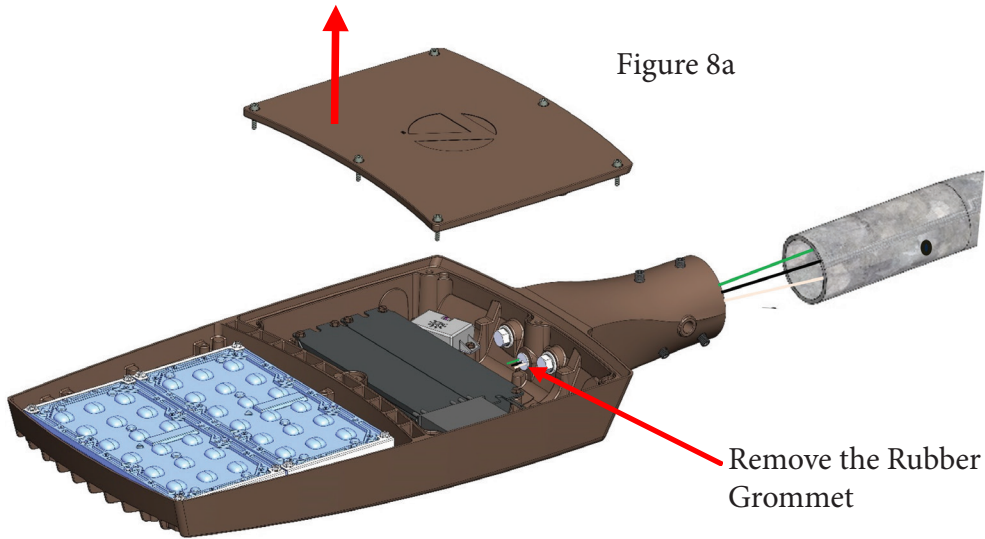


Figure 7b



Installation Instructions
RSX LED

3. Loosen six captive screws on RSX luminaire door to access the wire connection area.
Remove the rubber grommet before feeding the wires (See Figure 8a).



4. Insert the wires through the holes of the rubber grommet, pull them into the wire connection area.
Replace the rubber grommet back as originally assembled before wire feeding (See Figure 8b & 8c).

Figure 8b

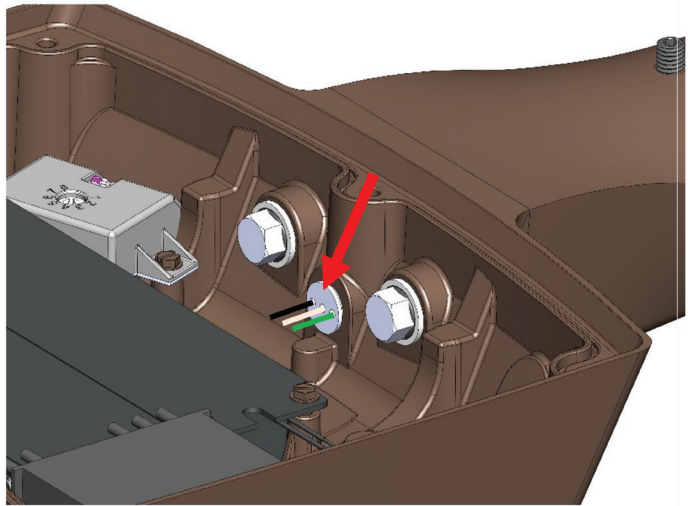


Figure 8c



Installation Instructions
RSX LED

5. Insert the ground wire comes from tenon to the 3 way Wago connector with the green wires from SPD and luminaire ground connection and lock it. Repeat this step for black (hot) and white (neutral) wires. Select Wago connectors with matching colored wires coming from SPD (See Figure 9a, 9b, 9c).

Figure 9a

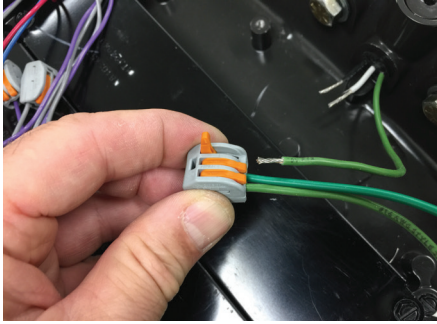


Figure 9b

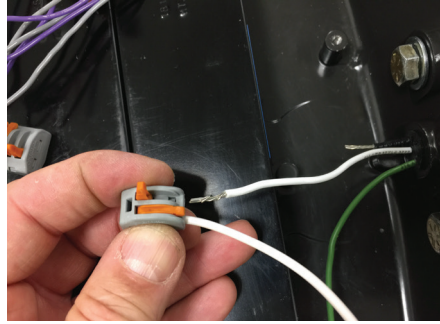
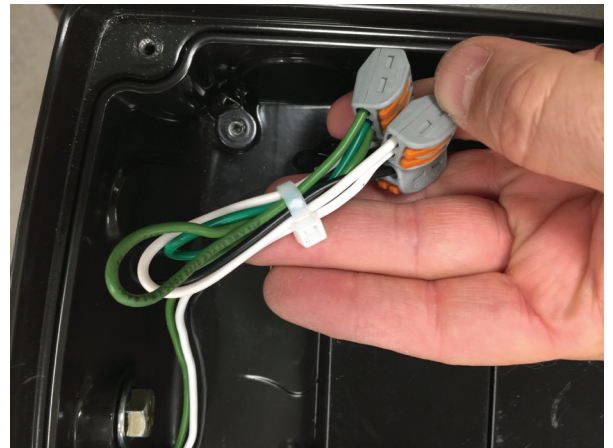


Figure 9c



Figure 10

6. Use cable tie and tie all newly attached wires shown in Figure 10.



7. Make sure that wires are not pinched, the door gasket did not move from original position, and sits in its groove on the door properly. Reinstall the mounting door (Figure 11) that was removed, tighten the six captive screws with the 5/32 Allen wrench to 25-30 in-lbs (overtighten can cause thread stripping and void all warranties).

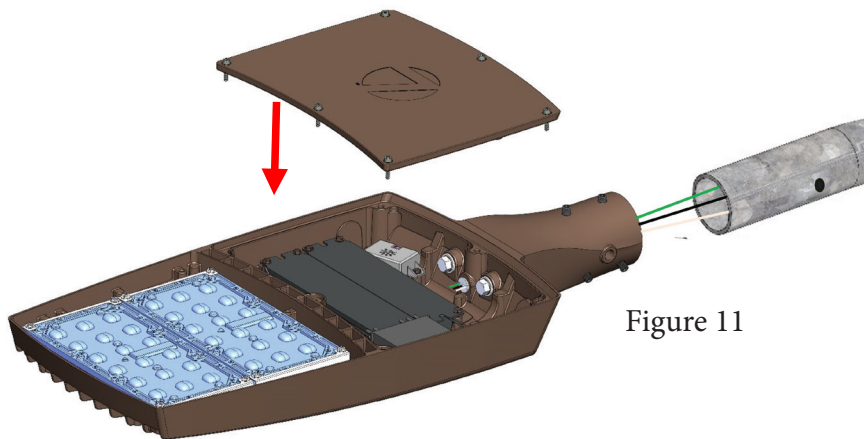


Figure 11



©2016 Acuity Brands Lighting, Inc.
All Rights Reserved.

Lithonia Lighting Outdoor
One Lithonia Way, Conyers, GA 30012
Phone: 800-279-8041 Fax: 770-918-1209
www.lithonia.com

Part Number: IN-379 Rev F
Revision Date: 11/19/18

RSX MAST ARM ADAPTOR INSTALLATION

8. Reorient luminaire to desired position on the tenon
(See Figure 11a & 11b).

9. Insert provided 7/16"-14 x 4-1/2" bolt through
Mast Arm Mount and drilled 1/2" Ø hole on tenon
and place provided 7/16" nut onto bolt and tighten
securely to 45-50 ft-lbs.

10. Evenly tighten the Six (6) 3/8-16 UNC
Mast Arm Set Bolts while maintaining the correct
position of the luminaire to 23-27 ft-lbs.

11. Energize the luminaire to verify its operation
and proper illumination of area.

Figure 11a

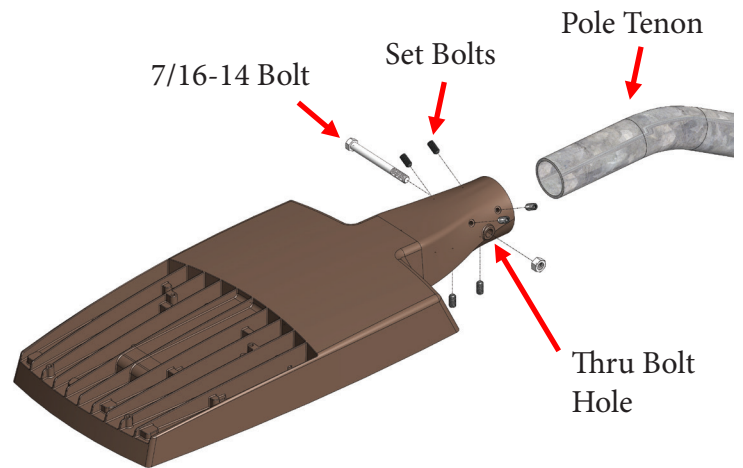
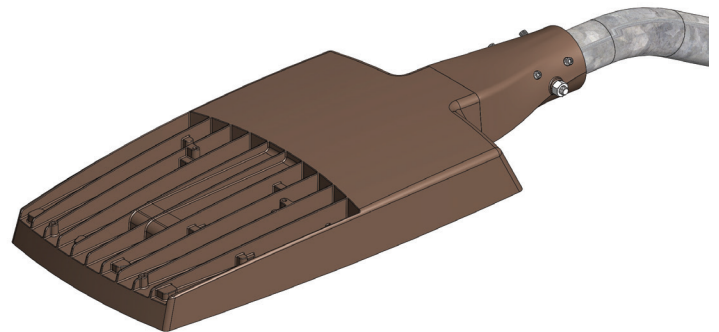


Figure 11b



**WARNING: USE AND PROPERLY TIGHTEN
THRU-BOLT AND NUT. FAILURE TO CORRECT-
LY INSTALL COULD RESULT IN SERIOUS INJURY
OR DEATH.**

RSX INTEGRAL SLIPFITTER (KNUCKLE) INSTALLATION ON VERTICAL TENONS (+/- 5 °)

Note: Luminaire can be tilted up to 90 degrees (maximum) above horizontal.

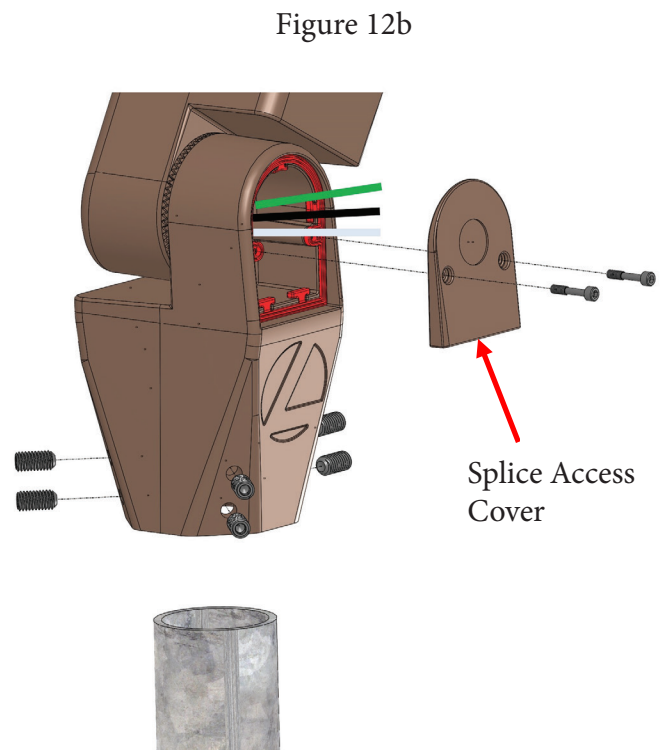
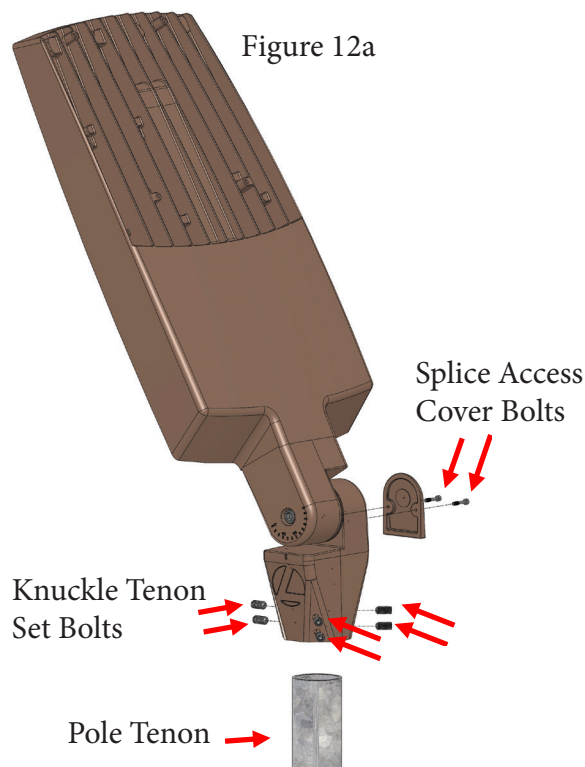
Tools Required:

Allen wrench: 9/64", 5/16", 3/8"

Maximum tenon/pole diameter: 2" schedule 40 pipe (2-3/8" OD)

This luminaire is pre-wired with UL listed supply wire leads. It is not necessary to access fixture housing to install or wire the luminaire.

1. Remove the two (2) 8-32 splice access cover fasteners from knuckle assembly, remove the splice access cover, and pull supply wire leads from knuckle cavity (See Figure 12a)
2. Slip luminaire knuckle fitter over 2-3/8"Ø pole tenon and evenly tighten the six (6) 3/8-16 UNC knuckle tenon set screws to 23-27 ft-lbs, while maintaining the correct position of the luminaire.
3. Cut and splice the wires. Recommended cut length is 6" for wires for ease of splicing and securing in the knuckle. (See Figure 12b)
4. Make all wiring connections via the supplied wire leads in accordance with NEC and local codes.
5. Push all fixture and supply wires completely within the knuckle cavity and replace the splice access cover, gasket, and two (2) 8-32 splice access cover fasteners.

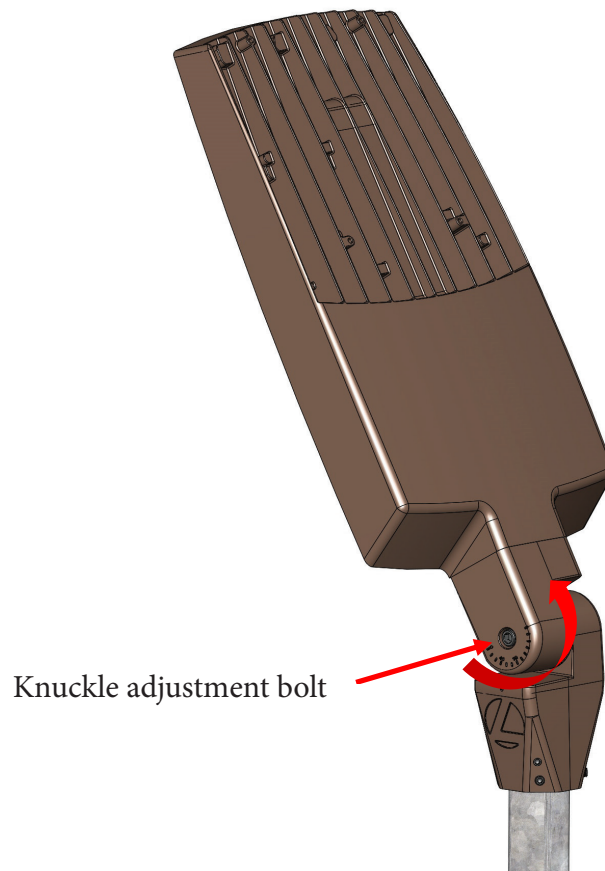


Installation Instructions
RSX LED

6. Aim fixture as required and tighten the 7/16-14 SHC knuckle adjustment bolt using an approximately 38 ft-lbs. (See Figure 12c)
7. For units with photocontrol receptacle, the fixture mounting/aiming angle must be restricted from 0° to 45° from horizontal per ANSI C136.10-2010.
8. Energize the luminaire to verify its operation and proper illumination of area.

WARNING: DO NOT MOUNT THE KNUCKLE FITTER TO A TENON OR BRACKET THAT IS MORE THAN 5 DEGREES FROM VERTICAL. MOUNTING AT AN ANGLE GREATER THAN 5 DEGREES REQUIRES USE OF A PROPERLY TIGHTENED THRU-BOLT AND LOCKNUT. FAILURE TO CORRECTLY INSTALL COULD RESULT IN SERIOUS INJURY OR DEATH.

Figure 12c



Installation Instructions

RSX LED

RSX INTEGRAL SLIPFITTER (KNUCKLE) INSTALLATION ON TENONS W/ANGLES >5 ° FROM VERTICAL

Note: Luminaire can be tilted up to 90 degrees (maximum) above horizontal.

Tools Required:

1/2" Ø Drill bit, 5/8" Socket wrench

Grade 5 Steel, 7/16-14 x 3-3/4" High corrosion rated bolt, Grade 5 Steel, 7/16-14 Center-Lock, Distorted-Thread high corrosion rated Locknut.

Allen wrench: 9/64", 5/16", 3/8"

Maximum tenon/pole diameter: 2" schedule 40 pipe (2-3/8" OD)

This luminaire is pre-wired with UL listed supply wire leads. It is not necessary to access fixture housing to install or wire the luminaire.

1. Slip luminaire knuckle fitter over 2-3/8" Ø pole tenon and remove upper set screw at the front face of the knuckle. Evenly tighten the five (5) 3/8-16 UNC knuckle tenon set screws to 23-27 ft-lbs, while maintaining the correct position of the luminaire.
2. Use upper set screw hole on front face of the knuckle as pilot and drill 1/2" Ø hole on tenon through knuckle (See Figure 13a)
3. Insert 7/16"-14 x 3-3/4" bolt through Knuckle and drilled 1/2" Ø hole on tenon. Place 7/16" Center-Lock Distorted-Thread Locknut onto bolt and tighten securely to 45-50 ft-lbs. (See Figure 13b)
4. Retighten the five (5) 3/8-16 UNC Knuckle set bolts to 23-27 ft-lbs.

Figure 13a

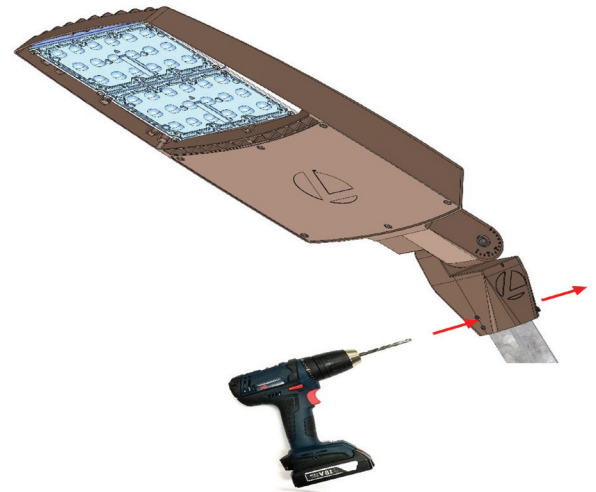
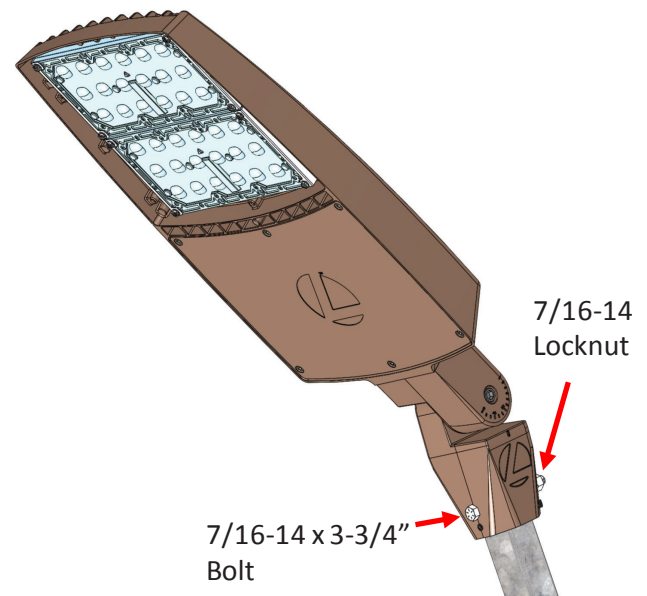


Figure 13b



©2016 Acuity Brands Lighting, Inc.
All Rights Reserved.

Lithonia Lighting Outdoor
One Lithonia Way, Conyers, GA 30012
Phone: 800-279-8041 Fax: 770-918-1209
www.lithonia.com

Part Number: IN-379 Rev F
Revision Date: 11/19/18

Installation Instructions RSX LED

5. Loosen the two (2) 8-32 splice access cover fasteners from knuckle assembly, remove the splice access cover, and pull supply wire leads from knuckle cavity.

6. Remove tilt limiting screw if necessary (See Figure 13c, 13d). Note: Luminaire can be tilted up to 90 degrees (maximum) above horizontal.

7. Make all wiring connections via the supplied wire leads in accordance with NEC and local codes.

8. Push all fixture and supply wires completely within the knuckle cavity. Ensure the splice box gasket is in place and replace the splice access cover. Tighten the two captive screws with the 9/64 Allen wrench to 18-20 in-lbs (overtighten can cause thread stripping and void all warranties) (See Figure 13c & 13d).

9. Aim fixture as required and tighten the 7/16-14 SHC knuckle adjustment bolt using an approximately 38 ft-lbs. (See Figure 13e)

10. For units with photocontrol receptacle, the fixture mounting/aiming angle must be restricted to $\pm 45^\circ$ from horizontal per ANSI C136.10-2010.

11. Energize the luminaire to verify its operation and proper illumination of area.

Figure 13c

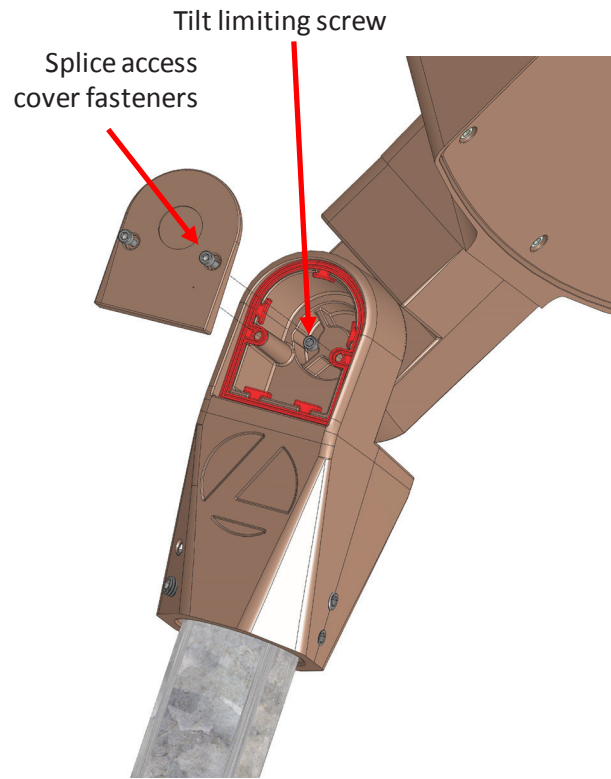


Figure 13e

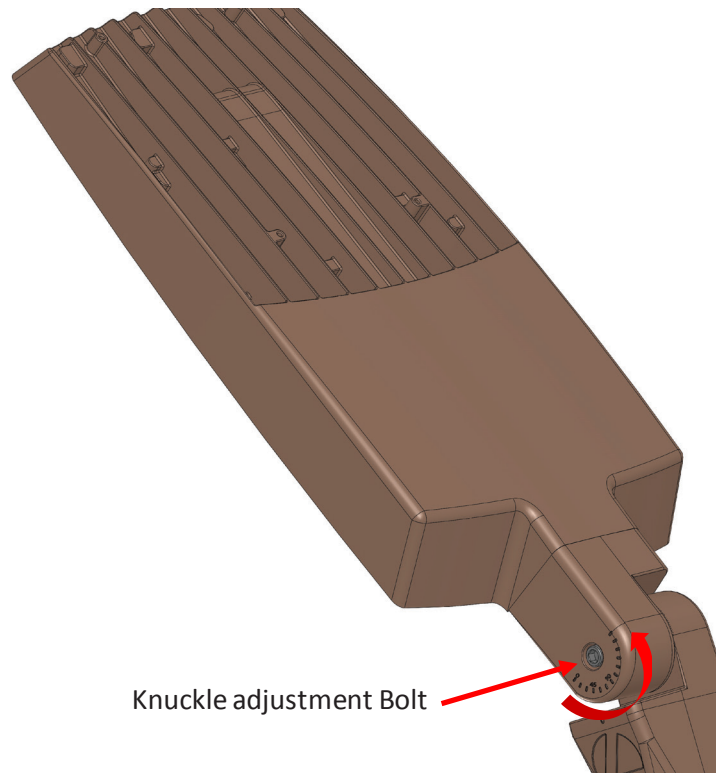
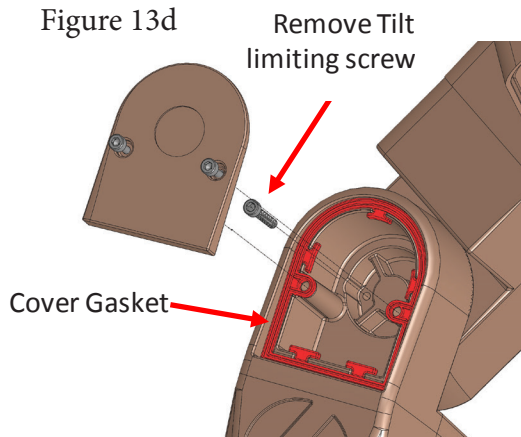


Figure 13d



WARNING: DO NOT MOUNT THE KNUCKLE FITTER TO A TENON BELOW HORIZONTAL EVEN WITH PROPERLY TIGHTENED THRU-BOLT AND LOCKNUT. FAILURE TO CORRECTLY INSTALL COULD RESULT IN SERIOUS INJURY OR DEATH.

RSX WBA INSTALLATION

Tools Required: Socket wrenches: 9/16"; Allen wrench: 9/64"

1. CAUTION: APPLY A CONTINUOUS BEAD OF WEATHER – PROOF CAULKING BETWEEN MOUNTING BASE PLATE AND WALL TO ENSURE WEATHER – TIGHT INTEGRITY OF ELECTRICAL COMPONENTS (See Figure 14a & 14b).
2. Place the base plate in orientation shown in Figure 14a and secure to wall with secure base plate to wall with (4) 1/4" diameter fasteners (by others) using the (4) holes located on the outer corners of the base plate. Check the base plate to confirm that it is level and plumb in all directions (See Figure 14b).
3. Prepare the cover plate by ensuring the factory installed gasket is in place on the backside of the cover plate (See Figure 15).
4. Open up the light fixture carton and locate the threaded steel bar, and the (2) 3/8" diameter lock bolts that are 2-1/2" long.
5. Note for the next steps the curved portion of the cover plate should point upwards when mounted to the wall (See Figure 15).

Figure 14a

Figure 14b

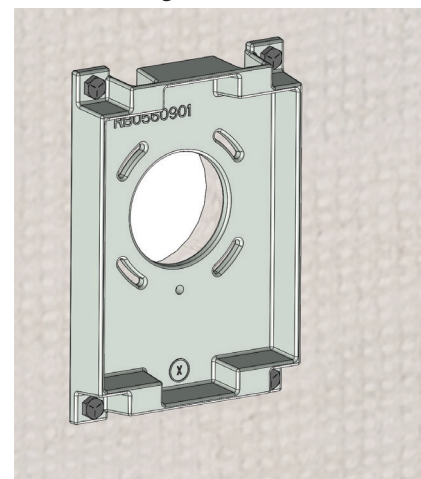
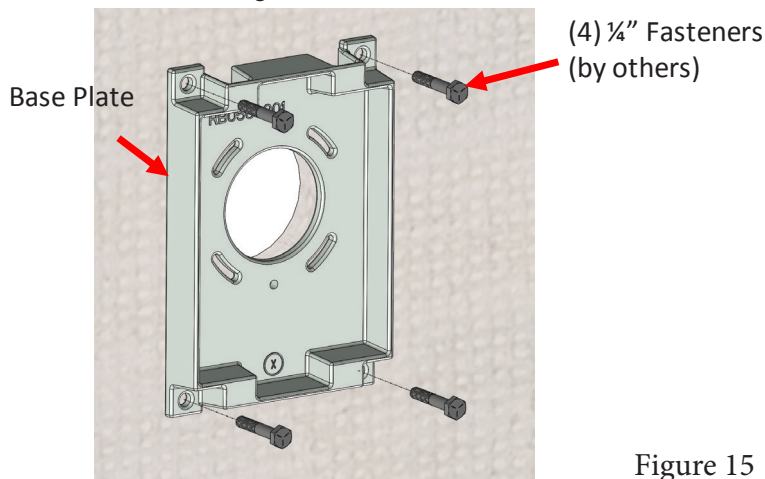
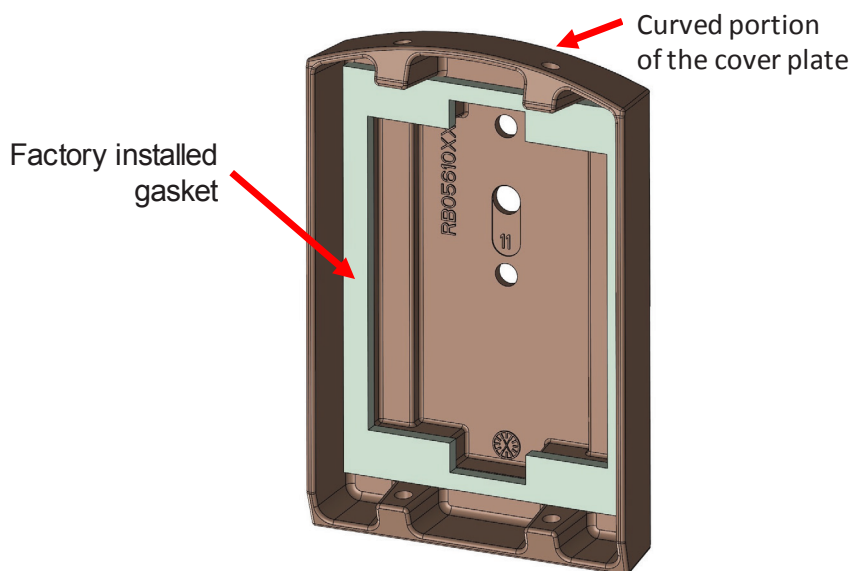


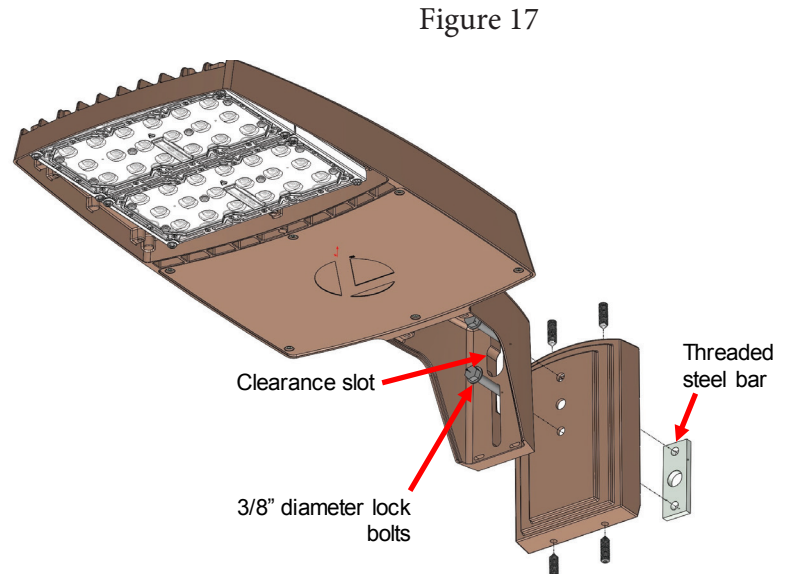
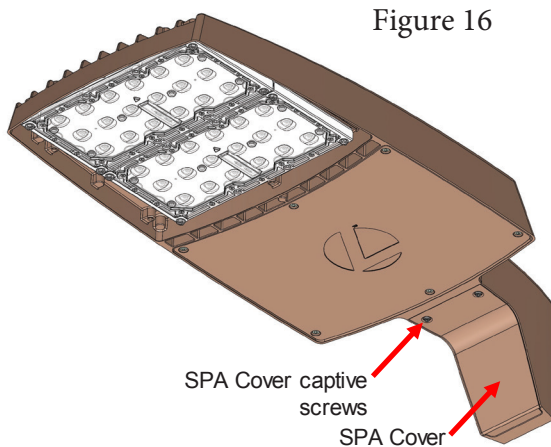
Figure 15



Installation Instructions

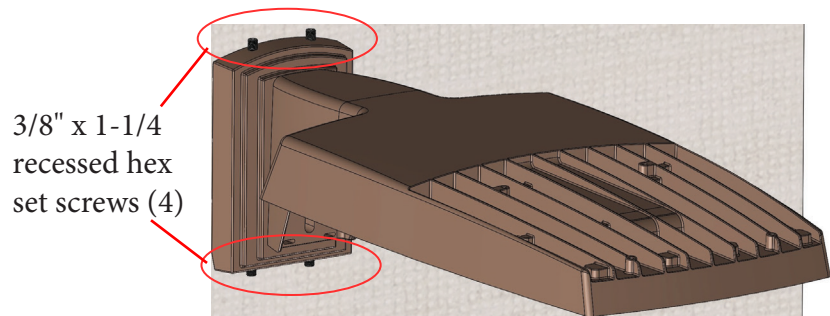
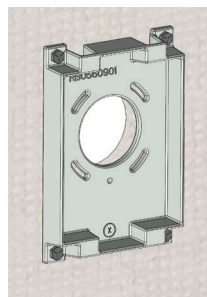
RSX LED

- Loosen two captive screws on cover of the SPA to access the pole mounting area. (See Figure 16)
- The luminaire is supplied with a clearance slot in the back to allow wires to be pulled into the WBA cover plate on existing hole.
- Making sure that no wires are pinched, insert the 3/8" lock bolts through the back wall of the fixture housing, through the cover plate, and then thread into the threaded steel bar (See Figure 17). Tighten the two bolts with a 9/16 socket to 20-30 ft-lbs (overtightening can damage components and void warranties). Make sure that wires are not pinched and tuck excess wire up into the luminaire mounting area.
- Reinstall the SPA Cover that was removed in step 6, tighten the two captive screws with the 9/64 Allen wrench to 18-20 in-lbs (overtighten can cause thread stripping and void all warranties).



CAUTION THE NEXT STEPS WILL REQUIRE ASSISTANCE:

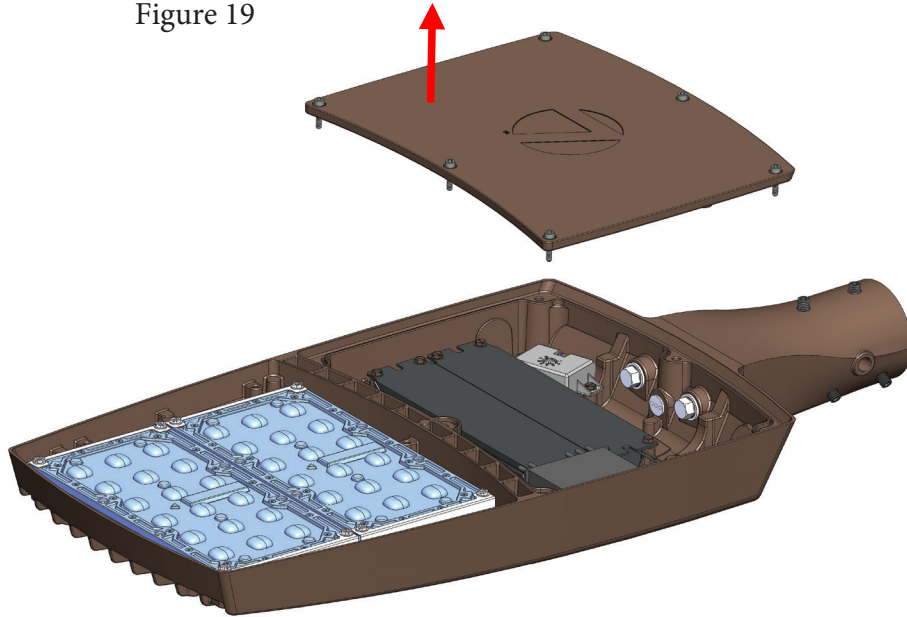
- Make all wiring connections via the supplied wire leads in accordance with NEC and local codes.
- Place the entire light fixture/cover plate assembly onto the base plate (Figure 14b) and have someone tighten the top (2) 3/8" x 1-1/4" stainless steel recessed hex set screws (See Figure 18) until 3/8" to 1/4" of the screw threads are still visible, then the bottom set screws.
- Now alternating between the top two and bottom two set screws, gently tighten until snug (approximately one thread will remain showing on each screw)



RSX FAO SETTING INSTRUCTIONS

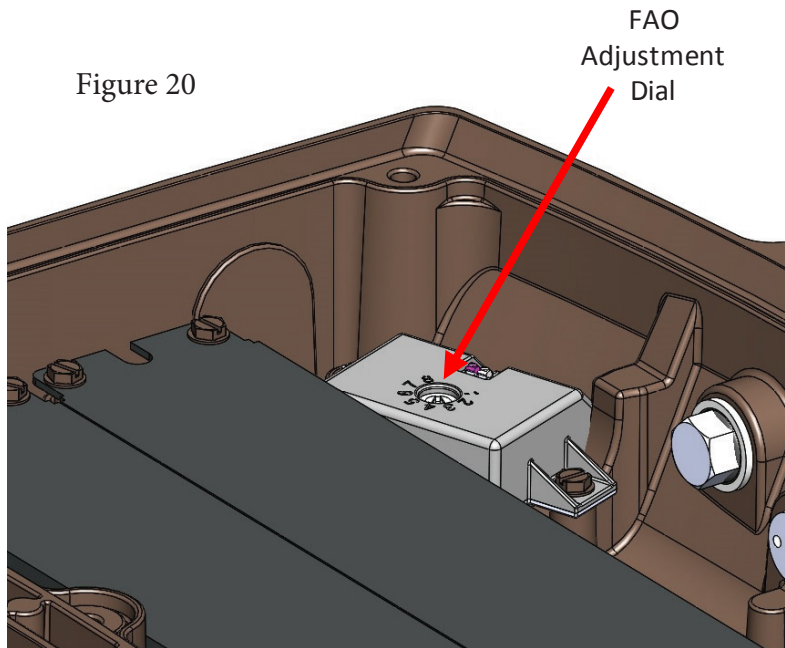
1. Loosen six captive screws and remove RSX door to access the FAO setting area (figure 19). Set aside for re-installation.

Figure 19



2. Use flat screw driver to turn FAO dial to get required Lumen output. (See Figure 20)
See table for settings. (Table 1)

Figure 20



RSX FAO SETTING INSTRUCTIONS

Table 1

FAO - Field Adjustable Output Settings			
Fixture Size	FAO Position	Input watts (W)	*Lumens (approx.)
RSX1 LED P4	1	22	3,721
	2	38	5,990
	3	54	8,115
	4	70	10,103
	5	88	11,961
	6	105	13,672
	7	124	15,251
	8	133	16,000
RSX2 LED P6	1	41	6,966
	2	70	11,161
	3	99	15,122
	4	130	18,844
	5	161	22,326
	6	194	25,566
	7	227	28,563
	8	244	30,000
RSX3 LED P4	1	55	9,002
	2	91	14,368
	3	129	19,518
	4	167	24,448
	5	207	29,158
	6	248	33,644
	7	290	37,908
	8	312	40,000
*Values are based on the highest performance package for each fixture size			
*FAO device shipped set at maximum setting #8			
*Lumen values vary by optic type			

3. Make sure that wires are not pinched, the door gasket did not move from original position, and sits in its groove on door properly, reinstall the door, tighten the six captive screws with the 5/32 Allen wrench to 25-30 in-lbs (over-tighten can cause thread stripping and void all warranties).

