



Intelligent Alarm

Battery Operated Combination Carbon Monoxide, Fire & Smoke Alarm

Part Number 900-0216

Model KN-COSM-XTR-B

Voice Alarm

Announces the hazard type detected.

Test/Reset Button

Tests alarm circuitry and triggers the voice announcement.

Combined Carbon Monoxide and Smoke Alarm

A single unit can be installed where previously, two were needed. Reduces installation time and helps to keep home décor attractive.

LEDs

Two LEDs are provided. Flashing green for normal operation and flashing red for alarm condition.

Hush® Feature

Temporarily silences nuisance alarms.

**Alerts user to replace CO alarm
after 7 years of operation**



NIGHTHAWK™
TECHNOLOGY
World's Most Accurate
Carbon Monoxide Alarm*

Description

The Kidde 900-0216 uses breakthrough technology to offer a fast response to real fires, including smoldering and fast-flaming, as well as protect you from carbon monoxide and dramatically reduce the chance of nuisance alarms. In addition, the Intelligent Alarm contains a voice warning that clearly states the present danger – smoke or carbon monoxide – and announces “Fire! Fire!” or “Warning! Carbon Monoxide!” The Intelligent Alarm combines the detection capabilities of an ionization smoke sensor – which is more likely to detect smaller, less visible fire particles, like those produced by flaming fires – with that of an electrochemical sensor, which is used to detect CO. Since carbon monoxide is present in all fires, having both detection chambers work together in one alarm is a breakthrough in the fire safety industry. When either sensor notices a potential hazard, it will communicate with the other. Depending on what is detected, the alarm will adjust its smoke sensitivity in order to better discriminate between a real hazard and a false one. This constant communication enhances the alarm’s overall performance in all fires, and significantly reduces the potential for a nuisance alarm.

Alarm Warnings

Fire: The red LED will flash and be accompanied by three long alarm beeps followed by a verbal warning message “FIRE! FIRE!”. The alarm will repeat pattern until smoke is eliminated.

Carbon Monoxide: Four short alarm beeps followed by a verbal warning “WARNING! CARBON MONOXIDE!” This continues until the unit is reset or the CO is eliminated.

Low Battery: One chirp followed by warning “LOW BATTERY”. The red LED light will flash. This pattern will continue every minute for the first hour. After the first hour the red LED light will flash once every minute accompanied by the chirp sound. The “LOW BATTERY” warning will only sound once every fifteen minutes.

*Based on accuracy claims of major manufacturers

Voice Hush Indication: “HUSH ACTIVATED” and “HUSH CANCELLED” voice announcement.

Peak Level Memory: If the alarm had detected a CO level of 100ppm or higher, the unit will announce “CO PREVIOUSLY DETECTED” to warn of the CO incident, when the Test/Reset button is pressed.

Features and Benefits

- **Voice Alarm** – Announces the hazard type detected thereby helping to speed up the correct reaction to the hazard detected. Alarm announces “Fire Fire” when a smoke or fire hazard is detected and announces “Warning Carbon Monoxide” when a CO hazard is detected.
- **Combined Carbon Monoxide and Smoke Alarm** – A single unit can be installed where previously, two were needed. Reduces installation time and helps to keep home décor attractive.
- **Test/Reset Button** – Tests alarm circuitry and triggers the voice announcement.
- **LEDs** – Two LEDs are provided. Flashing green for normal operation and flashing red for alarm condition.
- **Low Battery Warning** – The unit warns of a low battery condition by announcing “low battery” and by initiating an alarm chirp and activating a flashing red LED.
- **Battery Powered** – Provides protection even during power outages when many fire and carbon monoxide incidents occur.
- **Battery Safeguard** – Ensures the unit cannot be accidentally mounted without batteries installed.
- **Hush® Feature** – Temporarily silences nuisance alarms.



Architectural and Engineering Specifications

The combination smoke and carbon monoxide alarm shall be Kidde Model Number KN-COSM-XTR-B (part number 900-0216) or approved equal. It shall be powered by 3 AA batteries. The unit shall incorporate an ionization smoke sensor with nominal sensitivity of 0.97 %/ft. The CO sensor shall be of a fuel cell design and provide accuracy of +/-20% + 15ppm. The temperature operating range shall be between 40°F and 100°F (4°C and 38°C) and the humidity operating range shall be 5% - 95% related humidity.

The combination alarm can be installed on the surface of any wall or ceiling following the UL/NFPA/Manufacturer's recommended placement guidelines. The alarm shall provide optional tamper resistance that deters removal of the unit from the wall or ceiling.

The alarm shall include a test button that will electronically simulate the presence of smoke and CO and cause the unit to go into both modes of alarm. This sequence tests the unit's electronics to ensure proper operation.

The CO sensor will not alarm to levels of CO below 30 ppm and will alarm in the following time range when exposed to the corresponding levels of CO.

70 ppm CO Concentration	60 – 240 minutes
150 ppm CO Concentration	10 – 50 minutes
400 ppm CO Concentration	4 – 15 minutes

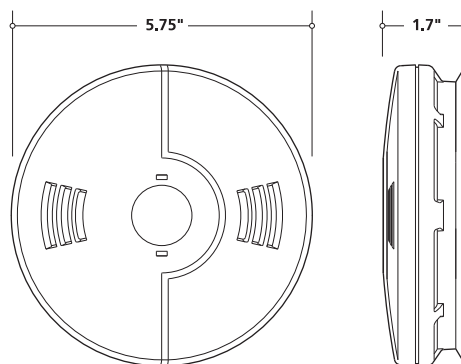
The combination alarm shall have two methods of warning for danger: a piezoelectric horn that is rated at 85 decibels at 10 feet and a voice warning that identifies the danger. For a CO incident, the horn will sound in the repetitive manner -- four (4) fast beeps, a short pause, four (4) fast beeps, a short pause. In between, the unit will announce "Warning Carbon Monoxide!". In a Smoke incident, the horn will sound in the repetitive manner -- three (3) beeps, a pause, three (3) beeps, a pause. In between, the unit will announce "Fire! Fire!".

The unit shall also indicate a low battery warning utilizing each of the following methods: a brief alarm chirp, the voice announcement of "Low Battery!" and the red LED will flash once per minute. The unit shall incorporate 2 LED's. A green LED will flash when power is present. A red LED will flash once every 30-40 seconds to indicate the alarm is operating properly and will flash once per second when the unit is alarming and will remain so until the air is cleared.

The unit shall at a minimum meet the requirements of UL 2034, UL217, NFPA72, (chapter 11 2002 edition) The State of California Fire Marshall, NFPA101 (One and two family dwellings) Federal Housing Authority (FHA), Housing and Urban Development (HUD). It shall also include a 7-year manufacturer's limited warranty.

Technical Specifications

Unit Number:	900-0216
Model:	KN-COSM-XTR-B
Power Source:	3 AA Battery
Sensors:	Smoke: Ionization, CO: Electrochemical
Audio Alarm:	85dB at 10ft
Temperature Range:	40°F (4.4°C) to 100°F (37.8°C)
Humidity Range:	5%-95% relative humidity
Size:	5.75" in diameter x 1.7" depth
Weight:	13oz
Interconnects:	No



Ordering Information

UPC: 0 047871 07450 1

Part Number	I 2 of 5	Pack Quantity	Dimensions (w x d x h inches)	Weight	Case/Skid	Skid Weight
21007450	100-47871-07450-8	CUT CASE (4 units)	8.0 x 18 x 11.75	7 lbs	288	2016 lbs

Distributed by:



1016 Corporate Park Drive
Mebane NC 27302
1-800-880-6788
www.Kidde.com