

JUNO lighting

Project: _____

Fixture Type: _____

Location: _____

Contact/Phone: _____

UNDERCABINET LIGHTING

DIRECT WIRE LOW VOLTAGE XENON

18W Xenon Lamp

ULX109, ULX212, ULX318 and ULX424

PRODUCT DESCRIPTION

The Direct Wire Low Voltage Xenon series with integral 12-volt electronic transformer offers an economical direct wire sheet metal undercabinet alternative using long-life 12-volt xenon lamps.

PRODUCT SPECIFICATIONS

Lamp (1) 18W lamp (ULX109), (2) 18W lamps (ULX212), (3) 18W lamps (ULX318) and (4) 18W lamps (ULX424) supplied with fixture • 10,000 hour lamp life.

Transformer Integral 12V electronic transformer.

Housing Formed steel fixture body for maximum strength, painted appliance white.

Switch Hi/Lo/Off switch.

Diffuser Frosted tempered glass lens.

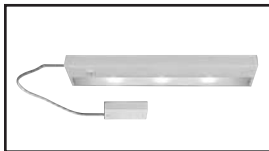
Labels UL Listed.

INSTALLATION

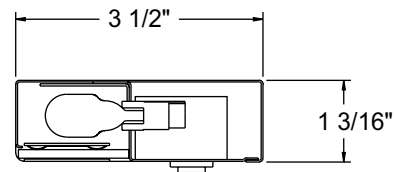
ULX fixtures may be direct-wired with non-metallic cable or flexible metal conduit using the 3/8" die-cast fitting supplied with the fixture. Connect at knockouts located at rear and ends of fixture.

Portable To install as a portable fixture, use the 3-wire grounded cord & plug (ULH-CP sold separately).

Optional Direct Wire Optional direct wire module (ULH-DWM sold separately) facilitates code-compliant installation of fixture at front edge of cabinetry. Supplied with 36" field-shortenable jumper cord to bring power to fixture.



DIMENSIONS



ENGINEERING DATA

	ULX109	ULX212	ULX318	ULX424
Total input power (watts)	17.0	33.6	49.9	65.6
Total Operating AMPS	.14	.28	.42	.55
Power Factor	.99	.99	.99	.99

PRODUCT CODES

Catalog Number	Finish	Overall Length	Lamp
ULX109-WH	Appliance White	9 1/2"	1-18W
ULX212-WH	Appliance White	12"	2-18W
ULX318-WH	Appliance White	18"	3-18W
ULX424-WH	Appliance White	24"	4-18W

ACCESSORIES

Catalog No.	Description
ULH-CONN	3/8" Miniature Die-Cast Electrical Connector
ULH-CP-WH,-BL	3-Wire Grounded Cord & Plug
ULH-DWM-WH,-BL	Direct Wire Module

UNDERCABINET LIGHTING

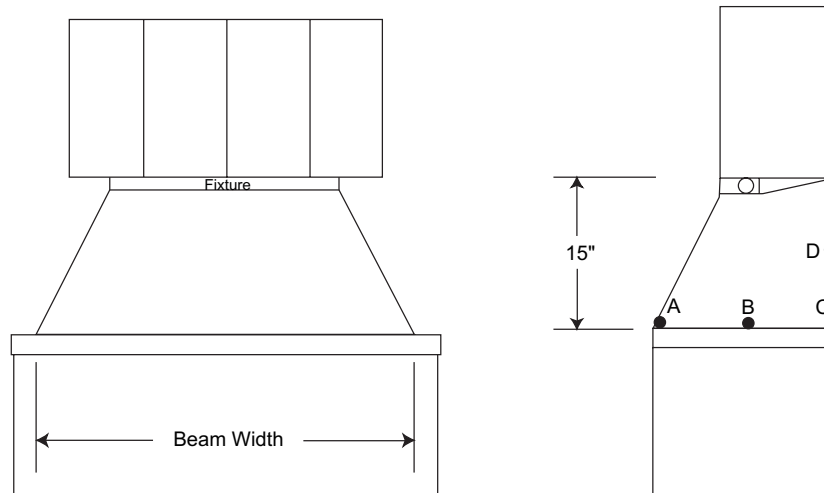
DIRECT WIRE LOW VOLTAGE XENON

18W Xenon Lamp

**ULX109, ULX212,
ULX318 and ULX424**

LIGHTING APPLICATION DATA

FOOTCANDLES ON HORIZONTAL WORK SURFACE



Cat #	Lamp	* Beam Width	Footcandles			
			A	B	C	D
ULX106	(1) 18-watt Xenon	21"	14	25	20	25
ULX212	(2) 18-watt Xenon	24"	30	52	42	49
ULX318	(3) 18-watt Xenon	28"	40	72	55	59
ULX424	(4) 18-watt Xenon	32"	44	75	64	61

*Beam width defined as 50% of maximum footcandles

Rear wall reflectance 50%

Counter Surface Reflectance 20%



JUNO lighting

1300 S. Wolf Road, P.O. Box 5065, Des Plaines, IL 60017-5065 Phone 847.827.9880 FAX 847.827.2925
220 Chrysler Dr., Brampton, Ontario, Canada, L6S 6B6 Phone 905.792.7335 FAX 905.792.0064
Visit us at www.junolighting.com

Printed in U.S.A. ©2004 Juno Lighting, Inc.