

For use with 120V, 60Hz electrical power supply only. **WARNING: TO PREVENT OVERHEATING AND ELECTRICAL SHOCK DO NOT INSTALL IN SMALL ENCLOSED SPACES. TO PREVENT ELECTRICAL SHOCK DO NOT INSTALL IN WET ENVIRONMENTS.**

IMPORTANT SAFETY INSTRUCTIONS

1. Read all of these instructions before installing fixture.
2. Keep these instructions in a safe place for future reference
3. Only qualified electricians in accordance with local codes should perform all installations.
4. **WARNING: PRIOR TO INSTALLATION MAKE SURE ELECTRICAL POWER SUPPLY FOR INSTALLATION CIRCUIT IS SHUT DOWN AT ELECTRICAL SERVICE PANEL BEFORE STARTING INSTALLATION. DO NOT RE-ENERGIZE CIRCUIT UNTIL INSTALLATION IS FULLY COMPLETED.**
5. Fixture is designed to be electrically grounded. **WARNING: TO PREVENT SHOCK CLOSELY FOLLOW GROUNDING DIRECTIONS.**

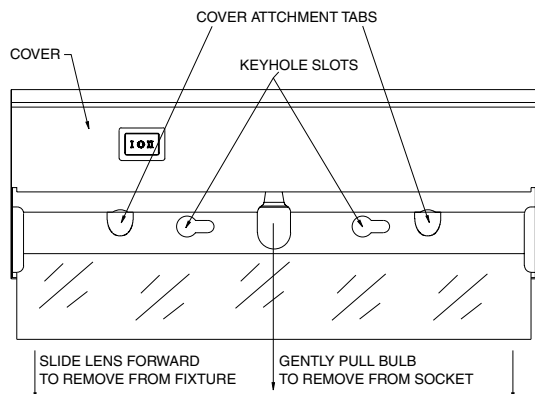
SAVE THESE INSTRUCTIONS

TO ELECTRICALLY FEED FIXTURE

Electrical power can be brought to the fixture with Non-Metallic Cable (NM) or Armored Cable (BX) using electrical connector at fixture knockouts.

INSTALLATION INSTRUCTIONS FOR XENON LIGHT FIXTURE

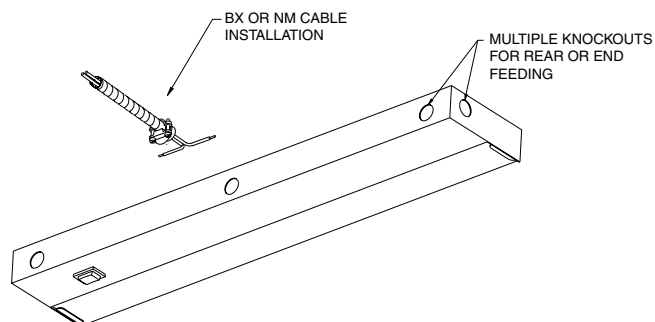
1. Select a suitable dry mounting location (indoor use only) capable of supporting the fixture. **DO NOT MOUNT OVER SINK OR STOVE.**
2. Slide glass lens out of fixture and set-aside during wiring and mounting. Remove bulbs from sockets and set-aside during wiring and mounting. Use a dry cloth when handling bulbs to avoid oil build-up on glass surface.



WIRING CONNECTIONS - Armored Cable (BX) or Non-Metallic Cable (NM)

1. Displace cover at attachment tabs and disengage to gain access to internal wiring.
2. Mount die-cast aluminum electrical connector at desired fixture knockout opening. Securely tighten nut.
3. Push cable into connector. If using BX cable, make sure BX cable has a properly installed plastic insulating bushing (not provided). Tighten clamp screws securely making sure that cable remains fully seated in connector during tightening.
4. Connect supply wires to fixture leads using wire nuts provided. Black to Black, White to White, Green to Green or bare copper.
5. Re-attach cover. Make certain wires are positioned to prevent damage. Make certain cover is properly secured underneath all attachment tabs.

NOTE: In some BX installations there may not be a separate grounding wire provided. Grounding is achieved through the spiral wound metal jacket of the BX cable. For NM installations, the NM cable must have a ground wire properly wired to the fixture.

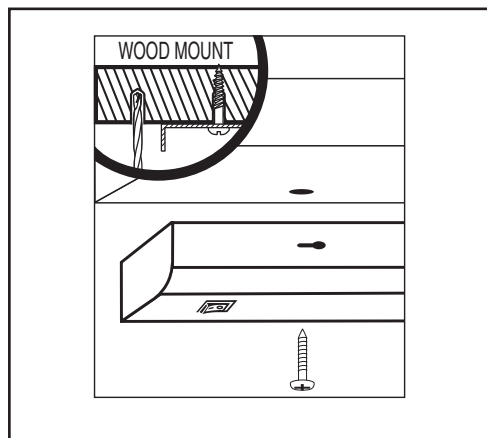


FIXTURE DIMMING

Fixtures may be dimmed using quality household dimmers or a dimmer system designed for non-inductive loads. For best dimming performance, use dimmer systems specifically designed for low voltage electronic transformers.

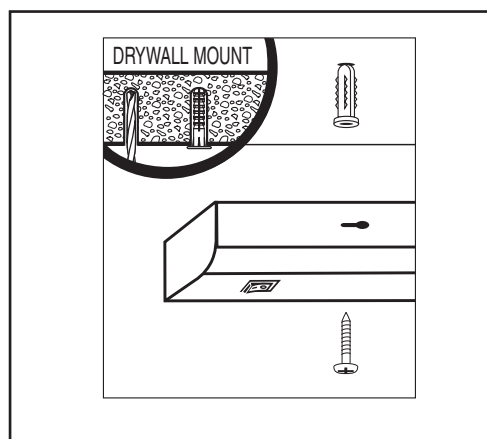
For Mounting Onto Wood Or Metal

1. Place fixture up to mounting surface and mark position of keyhole slot on the mounting surface with a pencil. The screw hole locations must be exact for the fixture to mount properly.
2. Mounting surface for the fixtures should be minimum of 3/8" thick wood.
3. Drill a pilot hole just smaller than the screw diameter. Drive screws into pilot holes until approximately 1/8" of space remains under the head of the screw. Align keyhole slots in fixture with the two mounting screws and slide into place so that the screw heads are positioned within the narrow end of the slots. Tighten screws securely.



For Mounting Onto Dry Wall

1. Drill a pilot hole just smaller than the anchor. Push the anchor into the hole until it is flush with the mounting surface and start the screws.
2. When approximately 1/8" of space remains under the head of the screw, align keyhole slots in fixture with the two mounting screws and slide into place. Tighten screws securely.



Once wiring and mounting is complete, replace lamp(s) and glass lens, restore power at appropriate electrical service panel.

JUNO® lighting

1300 S. Wolf Road
PO Box 5065
Des Plaines, IL 60017-5065
© 2004 JUNO lighting, inc.

Technical Services Department
Phone: 888. 387. 2212 (Toll Free)
Fax: 847. 813. 8200

220 Chrysler Dr.
Brampton, Ontario
Canada, L6S 6B6

Rev 1 8/04