

Trac-Master Single-Circuit Current Limiting End Feed Connector

Read and understand these instructions before installing fixture.

This fixture is intended for installation in accordance with the National Electrical Code and local regulations. To assure full compliance with local codes and regulations, check with your local electrical inspector before installation. To prevent electrical shock, turn off electricity at main circuit breaker panel before proceeding.

SAVE THESE INSTRUCTIONS

Current Limiting End Feed Connector TCLFM11 for use with Trac-Master Single-Circuit Trac only. Current Limiter will limit the wattage on a circuit and can be used as a standard ON/OFF switch.

Current limiting feed can be fed directly using flexible or rigid conduit with 3/8" or 1/2" electrical connector from standard ceilings or grid ceiling runner systems.

NOTE:

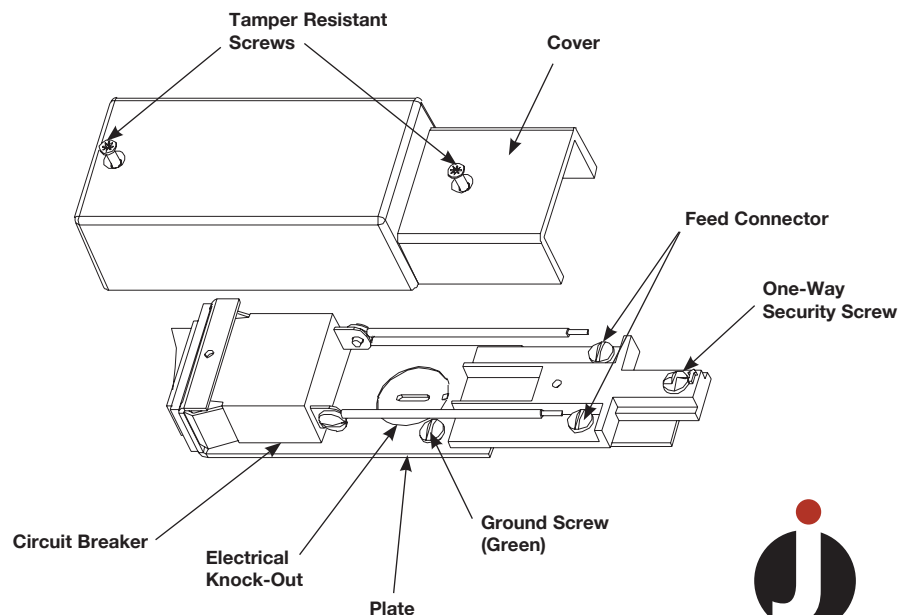
1. Turn off power at breaker box before installing electrical connector and trac.
2. If feeding with electrical connectors do not use feed connector as a conduit support. Independent conduit supports must be used to attach the conduit to the building structure.
3. Observe polarity; white neutral wire must be connected to the terminal marked "N" in the feed connector.
4. Use 12 gauge or 14 gauge solid wire in feed connector only. Feed connector rating 120V, 20Amp max., 60Hz.
5. Use the proper rated Juno current limiting circuit breaker (TCL Series) to limit the load on the circuit (current limiting circuit breaker sold separately).
6. Feed connector is polarized and will only install into one end of the trac. Align polarity arrow on feed connector toward trac polarity line for proper installation. **See Figure 1.**
7. Do not position luminaire such that it touches the feed connector.

Note: This Current Limiting Trac Feed Connector conforms to ASHRAE 90.1 Section 9.1.4(c) and is certified to California Energy Commission T24-2008, Section 119(L) of the California Energy Code.

INSTRUCTIONS FOR INSTALLING CURRENT LIMITING FEED CONNECTOR USING FLEXIBLE OR RIGID CONDUIT

- | | |
|---|---|
| <p>Step 1. Remove the COVER and retain.</p> <p>Step 2. Mark centerline of PLATE on ceiling to determine the mounting location of the FEED CONNECTOR.</p> <p>Step 3. Make a hole in the ceiling for the electrical connector in the position that coincides with the ELECTRICAL KNOCK-OUT.</p> <p>Step 4. Remove ELECTRICAL KNOCK-OUT where the power is to be passed through.</p> <p>Step 5. Push Current Limiting CIRCUIT BREAKER into PLATE.</p> <p>Step 6. Attach electrical connector (by others) to PLATE in round hole.</p> <p>Step 7. Pass supply wires through hole in ceiling and through electrical connector.</p> | <p>Step 8. Slide trac onto FEED CONNECTOR; ensure (2) contact blades insert into the gap of the trac bus bars.</p> <p>Step 9. Tighten ONE-WAY SECURITY SCREW.</p> <p>Step 10. Attach wires per wiring instructions and Diagram 1 on page 2.</p> <p>Step 11. Fasten COVER taking caution to avoid pinching any wires. Use TAMPER RESISTANT SCREWS (provided).</p> |
|---|---|

Figure 1





INSTALLATION INSTRUCTIONS For TCLFM11

Trac-Master Single-Circuit Current Limiting End Feed Connector

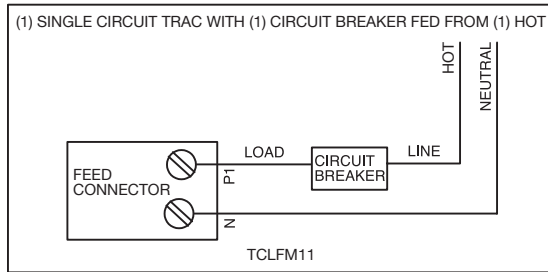
INSTRUCTIONS FOR INSTALLING CURRENT LIMITING FEED CONNECTOR ON PENDANT MOUNTED TRAC

- Step 1.** Follow instructions included with the pendant mounting kits.
- Step 2.** Install Current Limiting CIRCUIT BREAKER into PLATE.
- Step 3.** Attach wires per wiring instructions in **Diagram 1** below.
- Step 4.** Slide trac onto FEED CONNECTOR; ensure (2) contact blades insert into the gap of the trac bus bars.
- Step 5.** Tighten ONE-WAY SECURITY SCREW.
- Step 6.** Fasten COVER taking caution to avoid pinching any wires. Use TAMPER RESISTANT SCREWS (provided).

INSTRUCTIONS FOR TCLFM11 END FEED WIRING

- Step 1.** Strip ground wire enough to wrap around #8 screw. Wrap copper portion of ground wire around the GROUND SCREW (GREEN) between the screw and washer. Tighten screw to clamp wire.
- Step 2.** Strip White neutral wire 7/16" and connect to NEUTRAL (N) terminal of FEED CONNECTOR. Tighten screw to clamp wire.
- Step 3.** Strip HOT supply wire and connect to Current Limiting CIRCUIT BREAKER LINE wire (supplied on current limiting circuit breaker).
- Step 4.** Connect LOAD wire from Current Limiting CIRCUIT BREAKER (supplied on current limiting circuit breaker) to trac FEED CONNECTOR P1 terminal. Tighten screw to clamp wire. See schematic **Diagram 1** below.

Diagram 1 (End Feed)



WARRANTY

Juno Lighting Group warrants that its products are free from defects in material and workmanship. Juno Lighting Group's obligation is expressly limited to repair or replacement, without charge, at Juno Lighting Group's factory after prior written return authorization has been granted. This warranty shall not apply to products which have been altered or repaired outside of Juno Lighting Group's factory. This warranty is in lieu of all other warranties, expressed or implied, and without limiting the generality of the foregoing phrase, excludes any implied warranty of merchantability. Also, there are no warranties which extend beyond the description of the product on the company's literature setting forth terms of sale.

Product Services Phone (888) 387-2212

1300 South Wolf Road • Des Plaines, IL 60018 • Phone 800-323-5068 • www.junolightinggroup.com



JUNO LIGHTING GROUP
by Schneider Electric