

IMPORTANT SAFETY/OPERATING INSTRUCTIONS

1. Read and save all instructions.
2. Do not install this Trac in wet locations.
3. Do not install any fixture assembly closer than 6 inches from any curtain or similar combustible material.
4. Trac intended to be connected to 12 volt secondary of an isolated type transformer supply.
5. Use only fixtures and fittings intended for use with Juno TL Series Trac.
6. Do not exceed 20 amp capacity of Trac 12 (240 watts at 12 volts) or 25 amp capacity of Trac 12/25 (300 watts at 12 volts).
7. Reference local electrical/building codes for approved wiring techniques.

CAUTION

- To reduce the risk of fire and electric shock, use only with JUNO TL Series track systems.
- For use with JUNO TL Series and TF Series Power Units.

INSTRUCTIONS PERTAINING TO A RISK OF FIRE OR INJURY IMPORTANT SAFETY INSTRUCTIONS

WARNING

To reduce the risk of FIRE OR INJURY:

- Turn off power and allow to cool before repositioning or replacing TL214LEDX luminaire.
- Keep luminaire away from materials that may burn.
- Do not operate luminaire with a missing or damaged Optic Lens that covers the LEDs.

FIXTURE INSTALLATION

1. To install the TL214LEDX luminaire on TL Series Trac, orient the TL214LEDX perpendicular to the trac and insert the contacts into the trac channel.
2. Rotate the luminaire one-quarter turn (90°) in either direction (Fig. 1) until the contacts "snap" into the trac channel (luminaire will be parallel to trac as shown in Fig. 2) to ensure contact with the trac buss bars.
3. Repeat steps 1 and 2 above for all TL214LEDX luminaires being installed.
4. Apply power to the system and confirm the voltage at the first luminaire. The voltage at the first luminaire should not continuously exceed 12 volts or the luminaire life will be degraded. If the voltage exceeds 12 volts at the first luminaire, additional load must be added to the power supply to reduce the system voltage. Contact Juno Product Services if an overvoltage situation cannot be resolved.

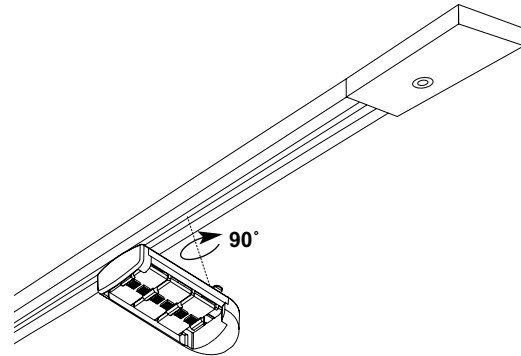


Fig. 1

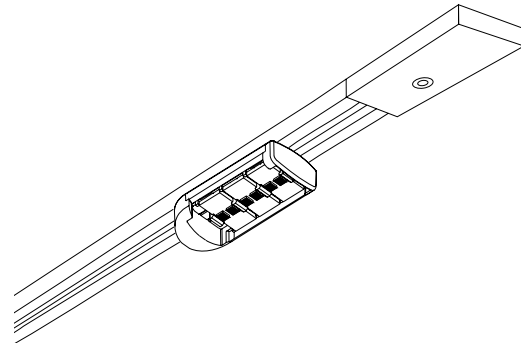


Fig. 2

WARRANTY

Juno Lighting Group warrants that its products are free from defects in material and workmanship. Juno Lighting Group's obligation is expressly limited to repair or replacement, without charge, at Juno Lighting Group's factory after prior written return authorization has been granted. This warranty shall not apply to products which have been altered or repaired outside of Juno Lighting Group's factory. This warranty is in lieu of all other warranties, expressed or implied, and without limiting the generality of the foregoing phrase, excludes any implied warranty of merchantability. Also, there are no warranties which extend beyond the description of the product on the company's literature setting forth terms of sale.

Product Services Phone (888) 387-2212

1300 S. Wolf Rd • Des Plaines, IL 60018 • Phone: 800-323-5068 • www.junolightinggroup.com



JUNO LIGHTING GROUP
by Schneider Electric