

# Juno®

Project: \_\_\_\_\_

Fixture Type: \_\_\_\_\_

Location: \_\_\_\_\_

Contact/Phone: \_\_\_\_\_

## PRODUCT DESCRIPTION

Dedicated LED, Air-Loc® sealed new construction housing with integral light engine • Can be completely covered with insulation • Fully sealed housing stops infiltration and exfiltration of air, reducing heating and air cooling costs without the use of additional gaskets • LED housing is designed to provide 50,000 hours of life and is compatible with many standard Juno trims • 3 year warranty.

## ENVIRONMENTALLY FRIENDLY, ENERGY EFFICIENT

- No harmful ultraviolet or infrared wavelengths
- No lead or mercury
- Comparable light output to 65W BR30 incandescent while consuming 14W



## PRODUCT SPECIFICATIONS

**LED Light Engine** Cast aluminum heat sink integrated directly with housing provides superior thermal management to ensure the long life of the LED • Replaceable PC board with quick connector mounts directly to heat sink and incorporates the latest generation of high lumen output LEDs binned to Energy Star standards • 3000K, 3500K, or 4100K color temperatures available.

**Optical System** Computer-optimized internal reflector with specular finish coupled with a high transmission diffusing lens conceals the LEDs and produces uniform aperture luminance • Deep regression of lens produces a low glare, efficient system that produces over 600 lumens using 14 watts of energy.

**Aesthetic Trim Selections** Compatible with wide selection of existing Juno trims • Shadow free, knife edge design blends seamlessly into ceiling.

**LED Driver** Universal voltage driver accommodates input voltages from 120 to 277 volts AC at 60Hz • Power factor > 0.9 at 120V input • Driver has integral thermal protection • Driver is dimmable with the use of Juno qualified 120V electronic low voltage wall box dimmers • Mounted between the j-box and housing for easy access and cool operation.

**Life** Rated for 50,000 hours at 70% lumen maintenance.

**Labels** Energy Star qualified when used with baffle and cone trims • UL listed for through-branch wiring, damp locations • Union made AFL-CIO, UL and cUL, RoHS compliant.

**Testing** All reports are based on published industry procedures; field performance may differ from laboratory performance.

Product specifications subject to change without notice.

## HOUSING FEATURES

**Housing** Designed for use in IC (insulated ceiling) or non-IC construction • .032" aluminum housing sealed for Air-Loc compliance • Housing is vertically adjustable to accommodate up to a 1" ceiling thickness.

**Junction Box** Pre-wired junction box provided with (5) ½" and (1) ¾" knockouts and ground wire, UL listed and cUL listed for through-branch wiring, maximum 8 No. 12 AWG 90° C branch circuit conductors (4 in, 4 out) • Junction box provided with removable access plates • Knockouts equipped with pryout slots • Push-in electrical connectors supplied as standard for fast, secure installation.

**Mounting Frame** 22-gauge die-formed galvanized steel mounting frame • Rough-in section (junction box, mounting frame, housing and bar hangers) fully assembled for ease of installation.

**Real Nail 3 Bar Hangers** Telescoping, patent pending Real Nail 3 system permits quick placement of housing anywhere within 24" O.C. joists or suspended ceilings • Includes removable nail for repositioning of fixture in wood joist construction • Integral T-bar notch and clip for suspended ceilings.

REV-3/09

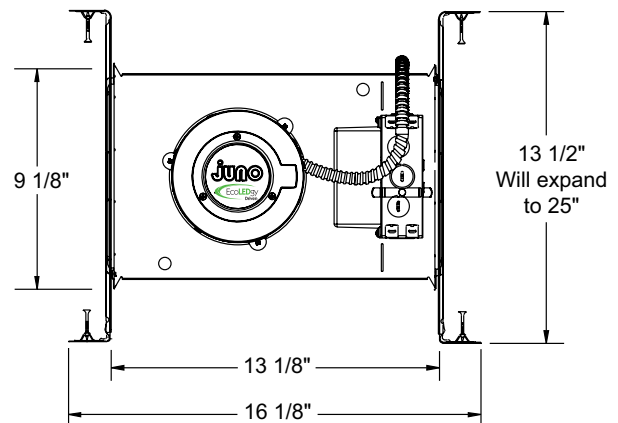
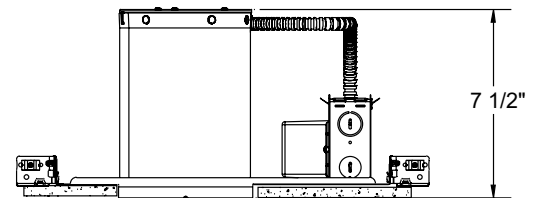
# 5" IC LED DOWNLIGHT NEW CONSTRUCTION

IC20LED RECESSED HOUSING

OPEN TRIMS



## DIMENSIONS



5 5/8" CEILING CUTOUT

## ELECTRICAL DATA

	120V	277V
Input Power	14.2W (+/-5%)	15.4W (+/-5%)
Input Current - Max	0.128A	0.069A
Frequency	60Hz	60Hz
EMI/RFI	FCC Title 47 CFR, Part 18, Class B (consumer)	FCC Title 47 CFR, Part 18, Class A (commercial)
Minimum starting temp	-20°C (-4°F)	-20°C (-4°F)

## 120V APPROVED DIMMERS

Electronic low voltage dimmers require a neutral wire in the wall box.

### Lutron®:

Model numbers -  
Skylark® SELV-303P  
Skylark® SELV-300P  
Nova T<sup>☆</sup>® NTELV-600  
Nova T<sup>☆</sup>® NTELV-300  
Diva® DVELV-300P

### Leviton®:

Model number -  
Aceniti® ACE06-1LW  
Monet® MNE04-1LW  
Vizia+® VPE04-1LZ  
Vizia+® VZE04-1LX



Consult technical services or factory for additional dimmers.



# 5" IC LED DOWNLIGHT NEW CONSTRUCTION

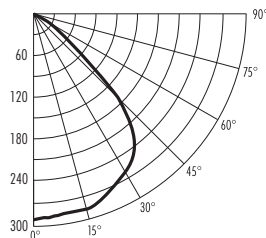
IC20LED RECESSED HOUSING  
OPEN TRIMS

**ORDERING INFORMATION:** Housing, trim and accessories each ordered separately.

Example: IC20LED-3K		Example: 205W-WH	
Housing	Color Temperature	Trim/Description	
<p>IC20LED IC20SLED Smaller footprint bar hangers (Real Nail® 2)</p>	<p>3K 3000K 35K 3500K 41K 4100K</p>	 <p>205W-WH White Baffle 205B-WH Black Baffle 205B-SC Black Baffle 205B-ABZ Black Baffle</p>  <p>204C-WH Cone in Clear Alzak® 204G-WH Cone in Gold Alzak® 204B-WH Cone in Black Alzak® 204PT-SC Cone in Pewter Alzak® 204W-WH Cone in Gloss White 204HZ-WH Cone in Haze 204WHZ-WH Cone in Wheat Haze 204WHZ-ABZ Cone in Wheat Haze</p>	<p>Trim Size: 6¼" O.D. Trim Finish: ABZ - Classic Aged Bronze, SC - Satin Chrome, WH - White. Alzak is a registered trademark of Alcoa Corp. Note: In Canada when insulation is present, Type IC fixtures must be used.</p>

**PHOTOMETRIC REPORT**

Test Report #: LTL14393  
Catalog No: IC20LED-35K  
with 205W-WH Trim  
Luminaire Spacing Criterion: 1.4  
Luminaire LPW: 46.3



**CANDLEPOWER DISTRIBUTION (Candelas)**

Degrees Vertical	0°
0	295
5	295
15	296
25	274
35	252
45	170
55	61
65	22
75	13
85	4
90	0

Multiplier: 3K - 0.96  
41K - 1.03

**AVERAGE INITIAL FOOTCANDLES**

Multiple Units (Square Array, 60'x60' room)  
Ceiling 80% Wall 50% Floor 20%

Spacing	RCR1	RCR3	RCR5
4.0'	43	38	33
5.0'	28	24	21
6.0'	19	17	14
7.0'	16	14	12
8.0'	12	11	9
9.0'	9	8	7
10.0'	7	6	5

**ZONAL LUMEN SUMMARY**

Zone	Lumens	%Lamp	%Fixture
0-30°	238	N/A	38.4
0-40°	394	N/A	63.6
0-60°	580	N/A	93.6
0-90°	620	N/A	100.0

**INITIAL FOOTCANDLES (One Unit, 13.4W , 89.7° Beam)**

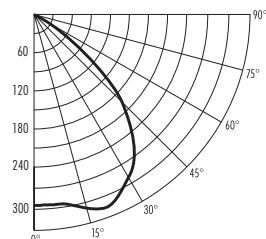
Distance to Illuminated Plane (Feet)	Footcandles Beam Center	Beam Diameter
4	18.4	5.5'
6	8.2	8.3'
8	4.6	11.0'
10	3.0	13.8'

**LUMINANCE (Average cd/m²)**

Degrees	Average Luminance
45	24774
55	10958
65	5319
75	4985
85	4736

**PHOTOMETRIC REPORT**

Test Report #: LTL14395  
Catalog No: IC20LED-35K  
with 204C-WH Trim  
Luminaire Spacing Criterion: 1.5  
Luminaire LPW: 50.3



**CANDLEPOWER DISTRIBUTION (Candelas)**

Degrees Vertical	0°
0	295
5	295
15	308
25	305
35	273
45	196
55	75
65	23
75	5
85	0
90	0

Multiplier: 3K - 0.96  
41K - 1.03

**AVERAGE INITIAL FOOTCANDLES**

Multiple Units (Square Array, 60'x60' room)  
Ceiling 80% Wall 50% Floor 20%

Spacing	RCR1	RCR3	RCR5
4.0'	47	41	35
5.0'	30	26	23
6.0'	21	18	16
7.0'	17	15	13
8.0'	13	12	10
9.0'	10	9	8
10.0'	8	7	6

**ZONAL LUMEN SUMMARY**

Zone	Lumens	%Lamp	%Fixture
0-30°	256	N/A	38.0
0-40°	426	N/A	63.2
0-60°	644	N/A	95.6
0-90°	674	N/A	100.0

**INITIAL FOOTCANDLES (One Unit, 13.4W , 89.3° Beam)**

Distance to Illuminated Plane (Feet)	Footcandles Beam Center	Beam Diameter
4	18.4	5.9'
6	8.2	8.8'
8	4.6	11.8'
10	3.0	14.7'

**LUMINANCE (Average cd/m²)**

Degrees	Average Luminance
45	26959
55	12771
65	5259
75	1865
85	0

Fixtures tested to IES recommended standard for solid state lighting per LM-79-08. Photometric performance on a single unit represents a baseline of performance for the fixture. Results may vary in the field.



1300 S. Wolf Road • Des Plaines, IL 60018 • Phone (847) 827-9880 • Fax (847) 827-2925  
220 Chrysler Drive • Brampton, Ontario • Canada L6S 6B6 • Phone (905) 792-7335 • Fax (905) 792-0064  
Visit us at [www.junolightinggroup.com](http://www.junolightinggroup.com)