

**new**



## Description

IC rated dedicated LED, Air-Loc® sealed new construction housing with integral light engine • No extra gasket required • Can be completely covered with insulation • Fully sealed Air-Loc housing stops infiltration and exfiltration of air, reducing heating and cooling costs • LED housing is designed to provide 50,000 hours of life and is compatible with many standard Juno trims

## Listings

UL listed for through-branch wiring, damp and wet locations • UL and cUL • RoHS compliant • Wet location listed when used with 210, 212, 2130 and 5101 trims • ENERGY STAR® qualified to residential and commercial requirements for solid state recessed luminaires with baffle and cone trims

## Features

- 5" Housing
- Environmentally friendly, energy efficient
  - No harmful ultraviolet or infrared wavelengths
  - No lead or mercury
- Over 600 lumens using 14 watts input\*
- 3000K, 3500K, or 4100K color temperatures available
- Rated for 50,000 hours at 70% lumen maintenance
- Cast aluminum heat sink ensures long LED life with superior thermal management
- Replaceable PC board with quick connector mounts directly to heat sink and incorporates the latest generation of high lumen output LEDs binned to Energy Star standards
- Computer-optimized internal reflector with specular finish coupled with a high transmission diffusing lens conceals the LEDs and produces uniform aperture luminance
- Universal voltage driver accommodates input voltages from 120 to 277 volts AC at 60Hz
- Driver is dimmable with the use of Juno qualified 120V electronic low voltage wall box dimmers
- Housing is vertically adjustable to accommodate up to a 1" ceiling thickness
- Real Nail® 3 bar hangers: telescoping system with pre-installed removable nail for easy repositioning of housing in joist construction • Integral T-bar mounting feature secures housing in suspended ceiling grid
- Pre-wired junction box with (5) 1/2" and (1) 3/4" knockouts, (4) non-metallic sheathed cable connectors, and ground wire
- UL and cUL listed for through-branch wiring, maximum (8) #12 AWG 90° C branch circuit conductors (4 in, 4 out)
- Push-in electrical connectors included
- 3 year warranty
- Trim selection page 45

\*Nominal input wattage at 120 volt operation

## Ordering Information

Catalog Number: **IC20LED-3K** - 3000K LED color temperature

Catalog Number: **IC20SLED-3K** - 3000K LED color temperature, with smaller footprint bar hanger (Real Nail® 2)

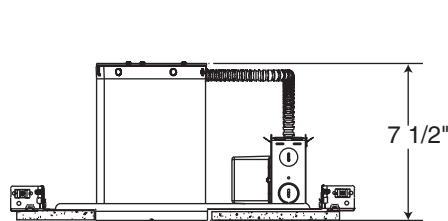
Catalog Number: **IC20LED-35K** - 3500K LED color temperature

Catalog Number: **IC20SLED-35K** - 3500K LED color temperature, with smaller footprint bar hanger (Real Nail® 2)

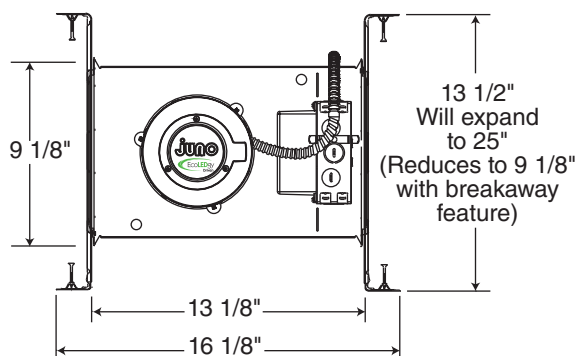
Catalog Number: **IC20LED-41K** - 4100K LED color temperature

Catalog Number: **IC20SLED-41K** - 4100K LED color temperature, with smaller footprint bar hanger (Real Nail® 2)

## Dimensions



5 5/8" Ceiling Cutout



**new**



## Description

IC rated dedicated LED, Air-Loc® sealed new construction housing with integral light engine • No extra gasket required • Can be completely covered with insulation • Fully sealed Air-Loc housing stops infiltration and exfiltration of air, reducing heating and cooling costs • LED housing is designed to provide 50,000 hours of life and is compatible with many standard Juno trims

## Listings

UL listed for through-branch wiring, damp and wet locations • UL and cUL • RoHS compliant • Wet location listed when used with 210, 212, 2130 and 5101 trims • ENERGY STAR® qualified to residential and commercial requirements for solid state recessed luminaires with baffle and cone trims

## Features

- 5" Housing
- Environmentally friendly, energy efficient
  - No harmful ultraviolet or infrared wavelengths
  - No lead or mercury
- Over 600 lumens using 14 watts input\*
- 3000K, 3500K, or 4100K color temperatures available
- Rated for 50,000 hours at 70% lumen maintenance
- Cast aluminum heat sink ensures long LED life with superior thermal management
- Replaceable PC board with quick connector mounts directly to heat sink and incorporates the latest generation of high lumen output LEDs binned to Energy Star standards
- Computer-optimized internal reflector with specular finish coupled with a high transmission diffusing lens conceals the LEDs and produces uniform aperture luminance
- Universal voltage driver accommodates input voltages from 120 to 277 volts AC at 60Hz
- Driver is dimmable with the use of Juno qualified 120V electronic low voltage wall box dimmers
- Housing is vertically adjustable to accommodate up to a 1" ceiling thickness
- Real Nail® 3 bar hangers: telescoping system with pre-installed removable nail for easy repositioning of housing in joist construction • Integral T-bar mounting feature secures housing in suspended ceiling grid
- Pre-wired junction box with (5) 1/2" and (1) 3/4" knockouts, (4) non-metallic sheathed cable connectors, and ground wire
- UL and cUL listed for through-branch wiring, maximum (8) #12 AWG 90° C branch circuit conductors (4 in, 4 out)
- Push-in electrical connectors included
- 3 year warranty
- For trim selection, see page 133

\*Nominal input wattage at 120 volt operation

## Ordering Information

Catalog Number: IC20LED-3K - 3000K LED color temperature

Catalog Number: IC20SLED-3K - 3000K LED color temperature, with smaller footprint bar hanger (Real Nail® 2)

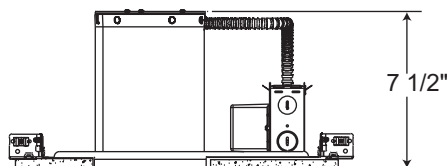
Catalog Number: IC20LED-35K - 3500K LED color temperature

Catalog Number: IC20SLED-35K - 3500K LED color temperature, with smaller footprint bar hanger (Real Nail® 2)

Catalog Number: IC20LED-41K - 4100K LED color temperature

Catalog Number: IC20SLED-41K - 4100K LED color temperature, with smaller footprint bar hanger (Real Nail® 2)

## Dimensions



5 5/8" Ceiling Cutout

