

5" IC 600 LUMEN LED DOWNLIGHT REMODEL

Project: _____

Fixture Type: _____

Location: _____

Contact/Phone: _____

IC2ORLEDG3 RECESSED HOUSING WALL WASH TRIM

PRODUCT DESCRIPTION

Dedicated LED, Air-Loc® remodel housing with integral light engine

- Shallow housing allows for fit in 2 x 6 construction
- IC remodel housing for remodel application where back side of ceiling is not accessible
- Installs through an opening in the ceiling from below
- Secured in place by factory installed remodel springs
- Can be completely covered with insulation
- When used with supplied ALG kit, stops infiltration and exfiltration of air, reducing heating and air cooling costs
- LED housing is designed to provide 50,000 hours of life and is compatible with many standard Juno trims
- 5 year limited warranty on LED components.

ENVIRONMENTALLY FRIENDLY, ENERGY EFFICIENT

- No harmful ultraviolet or infrared wavelengths
- No lead or mercury
- Comparable light output to 65W BR30 incandescent while consuming less than 11W*



PRODUCT SPECIFICATIONS

LED Light Engine LED array integrated to one piece high purity aluminum, thermally conductive housing provides uninterrupted heat transfer to ensure long life of the LED

- Replaceable light engine mounts directly to housing and incorporates the latest generation, high lumen output LED array
- LEDs are binned to standards that exceed ENERGY STAR® requirements yielding superior fixture to fixture color uniformity
- 2700K, 3000K, 3500K, or 4100K color temperatures available
- 83 CRI typical.

Optical System Painted white scoop is designed to work with computer-optimized reflector design to direct light toward wall for uniform illumination on vertical surfaces while concealing LED optic assembly and minimizing glare

- LEDs are concealed by high transmission diffusing lens
- Retention bar holds scoop assembly to trim
- White or black baffle available.

Aesthetic Trim Selections Low profile scoop wall wash trim

- Shadow free, knife edge design blends seamlessly into ceiling.

LED Driver Choice of dedicated 120 volt driver or universal voltage driver that accommodates input voltages from 120-277 volts AC at 50/60Hz

- Power factor > 0.9 at 120V input
- 120 volt only driver is dimmable with the use of most incandescent, magnetic low voltage and electronic low voltage wall box dimmers
- Universal voltage driver is dimmable with the use of most 0-10V wall box dimmers
- For a list of compatible dimmers, see [JUNOLEDG3-6-DIM](#)
- Mounted between the i-box and housing for easy access and cool operation.

Life Rated for 50,000 hours at 70% lumen maintenance.

Labels UL listed for U.S. and Canada damp locations

- Union made
- UL and cUL.

Testing All reports are based on published industry procedures; field performance may differ from laboratory performance.

Product specifications subject to change without notice.

HOUSING FEATURES

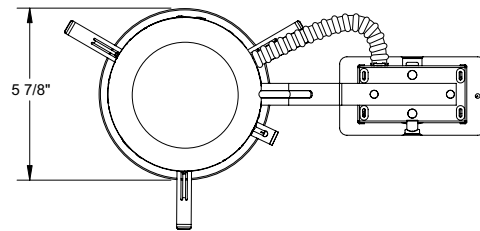
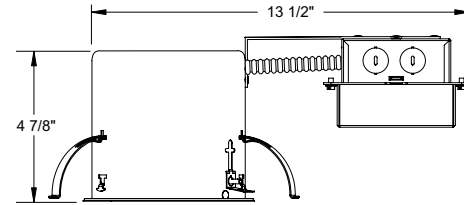
Housing Designed for use in IC (insulated ceiling) or non-IC construction

- Aluminum housing sealed for Air-Loc® compliance when used with ALG kit
- Remodel springs accommodate up to 1 1/2" ceiling thickness.

Junction Box Pre-wired junction box provided with (5) 1/2" knockouts, (4) knockouts for 12/2 or 14/2 NM cable and ground wire

- Knockouts equipped with pryout slots
- Quick connect electrical connectors supplied as standard for fast, secure installation.

DIMENSIONS



5 1/2" CEILING CUTOUT

ELECTRICAL DATA

Dedicated 120V Only Driver Option

120V	
Input Power	10.5W (+/-5%)
Input Current - Max	0.10A
Frequency	50/60Hz
EMI/RFI	FCC Title 47 CFR, Part 18, Class B (consumer)
Minimum starting temp	-20°C

ELECTRICAL DATA

Universal Voltage



	120V	277V
Input Power	12W (+/-5%)	12.3W (+/-5%)
Input Current - Max	0.11A	0.055A
Frequency	50/60Hz	50/60Hz
EMI/RFI	FCC Title 47 CFR, Part 15, Class A (non-consumer)	FCC Title 47 CFR, Part 15, Class A (non-consumer)
Minimum starting temp	-40°C	-40°C

* Nominal input wattage @ 120-volt operation with dedicated 120V driver under stable operating conditions.

5" IC 600 LUMEN LED DOWNLIGHT REMODEL

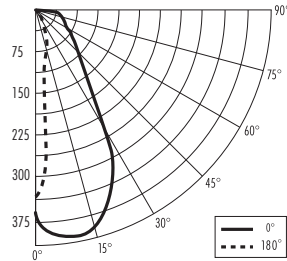
IC20RLEDG3 RECESSED HOUSING WALL WASH TRIM

ORDERING INFORMATION: Housing, trim and accessories each ordered separately.

Example: IC20RLEDG3-3K-1			Example: 213G3W-WH	
Housing	Color Temperature	Input Voltage		
IC20RLEDG3	27K 2700K 3K 3000K 35K 3500K 41K 4100K	1 Dedicated 120V Only (Forward Phase + ELV dimmable) U Universal Voltage, 120-277V (0-10V dimmable)	 213G3W-WH Scoop Wall Wash with White Baffle  213G3B-WH Scoop Wall Wash with Black Baffle	
			Trim Size: 6 1/4" O.D. Trim Finish: WH - White.	
			Note: In Canada, when insulation is present, Type IC fixtures must be used	

PHOTOMETRIC REPORT

Test Report #: PT10112405
 Catalog No: IC20LEDG3-35K
 with 213G3W-WH Trim
 Luminaire Spacing Criterion @ 90°: 0.98
 Luminaire: 5" IC LEDG3 Downlight,
 Scoop Type Wall Wash Trim



CANDLEPOWER DISTRIBUTION (Candelas)

Degrees	0°	180°
Vertical	Wall Wash	Downlight
0	337	337
5	370	242
10	379	147
15	374	98
20	354	77
25	322	62
30	273	49
35	205	40
40	140	31
45	105	25
50	85	23
55	73	19
60	64	14
65	57	10
70	50	6
75	37	0
80	23	0
85	13	0
90	0	0

Multiplier: 27K - 0.90, 3K - 0.97, 41K - 1.04

ZONAL LUMEN SUMMARY

Zone	Lumens	%Lamp	%Fixture
0 - 30°	198	N/A	48.2
0 - 40°	278	N/A	67.5
0 - 60°	364	N/A	88.4
0 - 90°	412	N/A	100.0
90 - 180°	0	N/A	0
0 - 180°	412	N/A	100.0

LUMINANCE (Average cd/m²)

Degrees	Average 180° Downlight Luminance
45	2836
55	2588
65	1828
75	0
85	0

FOOTCANDLES ON WALL FROM MULTIPLE FIXTURES

Fixture Distance to Wall	2'			3'								
	1'	2'	3'	1'	2'	3'						
1'	16	14	16	12	8	12	6	5	6	5	3	5
2'	16	15	16	12	9	12	7	7	7	6	5	6
3'	16	16	16	12	9	12	7	7	7	6	5	6
4'	14	14	14	10	9	10	7	7	7	6	5	6
5'	11	11	11	7	8	7	7	7	7	6	5	6
6'	9	9	9	6	6	6	6	6	6	5	5	5
7'	7	7	7	5	4	5	6	6	6	4	4	4
8'	5	5	5	4	4	4	5	5	5	4	4	4
9'	4	4	4	3	3	3	4	4	4	3	3	3

*For 213G3B-WH trim, use 0.84 multiplier.

*Note: Multipliers are provided for estimating purposes only. Use IES photometric files for precise photometric information.

