

JUNO

Project: _____

Fixture Type: _____

Location: _____

Contact/Phone: _____

4" BASICS SERIES™ LED RETROFIT ADJUSTABLE TRIM

ADJUSTABLE RETROFIT FOR STANDARD 4" RECESSED HOUSINGS

**4RLA 600L****PRODUCT DESCRIPTION**

Energy efficient LED adjustable trim module fits into standard 4" IC or non-IC recessed housings • Replaces 50W incandescent lamp, producing over 600 lumens • Adjustable gimbal design allows for up to 35° vertical aiming • Dimmable with most standard incandescent, magnetic low voltage and electronic low voltage dimmers

- LED retrofit module is designed to provide 36,000 hours of life
- 5 year warranty

PRODUCT SPECIFICATIONS

LED Retrofit Adjustable Trim Cast aluminum trim with white gimbal and flange. All-in-one design where LED light engine mounts directly to trim for ease of installation into existing 4" recessed housings with medium base sockets • Up to 35° vertical adjustment • Provided with push-in friction springs.

LED Light Engine LEDs mounted directly to aluminum housing designed to provide superior thermal management and ensure long life • 2700K or 3000K LED color temperature • 90 CRI minimum • Accommodates 120 volts AC at 60Hz • Dimmable with most standard incandescent, magnetic low voltage and electronic low voltage dimmers • For a list of compatible dimmers, see [JUNORETROBASICS-DIM](#).

Electrical Connections Trim features quick connect plug installed as standard for installation into IC1-LEDT24 and IC1R-LEDT24 housings with mating connector • Trim ships with a medium base socket adapter whip for installation into 4" incandescent housings with medium base sockets.

Optical System Trims are offered with choice of 25° narrow flood or 65° wide flood beam patterns • LED source concealed with lensed optic.

Life Rated for 36,000 hours at 70% lumen maintenance.

Labels ENERGY STAR® Qualified • Certified to the high efficacy requirements of California T24 • UL and cUL classified for use with most standard UL listed 4" recessed incandescent housings and Juno IC1-LEDT24 and IC1R-LEDT24; see below for specific compatibility requirements • Damp location.

Testing All reports are based on published industry procedures; field performance may differ from laboratory performance.

Product specifications subject to change without notice.

INSTALLATION

The LED retrofit adjustable trim is provided with push-in friction springs as standard.

COMPATIBLE HOUSINGS

The 4RLA retrofit adjustable trim is compatible with most 4" recessed housings measuring at least 4" high with an inside diameter between 4" and 4-1/2".

Compatible housings include, but not limited to:

Juno housings: IC1 and TC1 Series

Juno quick-connect LED housings: [IC1-LEDT24](#) and [IC1R-LEDT24](#)

VuLite® housings: V4IC and V4TC Series

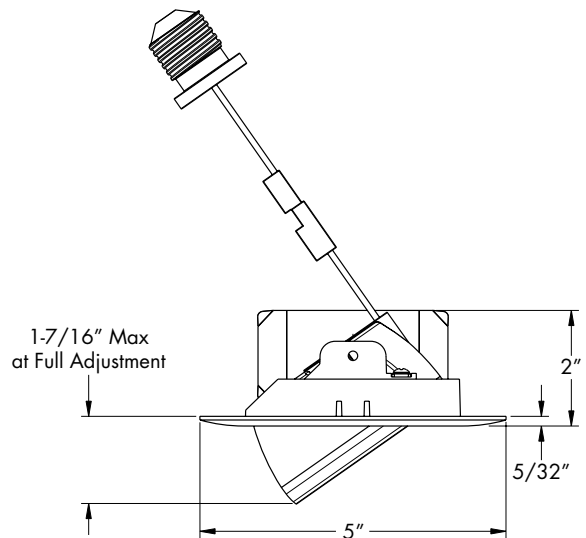
Lithonia® housings: L3 Series

Halo® housings: H99 Series

Thomas® housings: PS4 Series

Capri® housings: P4 and R4 Series

REV-5/16

**DIMENSIONS****PRODUCT CODES**

Catalog Number	Description
4RLA-927-6-N-WH	4" LED retrofit adjustable trim, 2700K, Narrow Flood
4RLA-927-6-W-WH	4" LED retrofit adjustable trim, 2700K, Wide Flood
4RLA-930-6-N-WH	4" LED retrofit adjustable trim, 3000K, Narrow Flood
4RLA-930-6-W-WH	4" LED retrofit adjustable trim, 3000K, Wide Flood

PERFORMANCE DATA

	27K	3K
Input Voltage	120V	120V
Input Power Typical	10.5W	10.5W
Frequency	60Hz	60Hz
EMI/RFI	FCC Title 47, Part 15 Class B (consumer)	FCC Title 47, Part 15 Class B (consumer)
Minimum starting temp	-30°C (-22°F)	-30°C (-22°F)
CRI	90 min.	90 min.
CCT	2700K	3000K

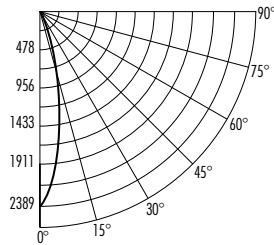
4" BASICS SERIES™ LED RETROFIT ADJUSTABLE TRIM

ADJUSTABLE RETROFIT FOR STANDARD 4" RECESSED HOUSINGS

4RLA 600L

PHOTOMETRIC REPORT

Test Report#: PT11151101R
 Catalog No: 4RLA-927-6-N-WH
 Luminaire Spacing Criteria: 0.42
 Luminaire LPW: 60



CANDLEPOWER DISTRIBUTION (Candelas)

Degrees Vertical	0°
0	2389
5	2105
15	864
25	253
35	79
45	26
55	10
65	6
75	2
85	0
90	0

Multiplier: 3K - 1.03

AVERAGE INITIAL FOOTCANDELES Multiple Units (Square Array, 60'x60' room)

Ceiling 80%, Walls 50%, Floors 20%

Spacing	RCR1	RCR3	RCR5
4'	44	40	36
5'	28	25	23
6'	20	18	16
7'	16	14	13
8'	13	11	10
9'	10	9	8
10'	7	6	6

ZONAL LUMEN SUMMARY

Zone	Lumens	%Lamp	%Fixture
0-30°	544	N/A	85.7
0-40°	595	N/A	93.8
0-60°	626	N/A	98.7
0-90°	634	N/A	100.0

INITIAL FOOTCANDELES (One Unit: 10.5W, 24.3° Beam)

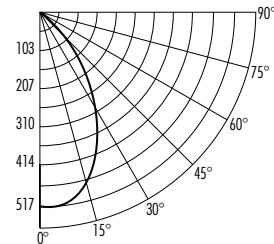
Distance to Illuminated Plane (Feet)	Footcandles Beam Center	Beam Diameter
4'	149.3	1.7
6'	66.4	2.6
8'	37.3	3.4
10'	23.9	4.3

LUMINANCE (Average cd/m²)

Angle in Degrees	Average 0-90°
45°	17578
55°	8505
65°	6215
75°	4531
85°	538

PHOTOMETRIC REPORT

Test Report#: PT10151401R
 Catalog No: 4RLA-927-6-W-WH
 Luminaire Spacing Criteria: 1.02
 Luminaire LPW: 62



CANDLEPOWER DISTRIBUTION (Candelas)

Degrees Vertical	0°
0	517
5	513
15	474
25	384
35	228
45	101
55	50
65	21
75	5
85	0
90	0

Multiplier: 3K - 1.03

AVERAGE INITIAL FOOTCANDELES Multiple Units (Square Array, 60'x60' room)

Ceiling 80%, Walls 50%, Floors 20%

Spacing	RCR1	RCR3	RCR5
4'	44	37	31
5'	28	24	20
6'	20	16	14
7'	16	13	11
8'	13	11	9
9'	10	8	7
10'	7	6	5

ZONAL LUMEN SUMMARY

Zone	Lumens	%Lamp	%Fixture
0-30°	356	N/A	54.7
0-40°	498	N/A	76.6
0-60°	623	N/A	95.8
0-90°	650	N/A	100.0

INITIAL FOOTCANDELES (One Unit: 10.5W, 66.7° Beam)

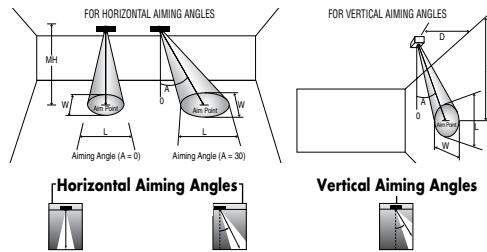
Distance to Illuminated Plane (Feet)	Footcandles Beam Center	Beam Diameter
4'	32.3	5.3
6'	14.4	7.9
8'	8.1	10.5
10'	5.2	13.2

LUMINANCE (Average cd/m²)

Angle in Degrees	Average 0-90°
45°	99567
55°	60770
65°	34529
75°	14162
85°	0

CBCP - Centerbeam candlepower
FC - Footcandles at beam center (aim point)

In vertical aiming applications, aim point (X) is determined by dividing distance from the wall (D) by the tangent of the desired aim angle (A) (0.5774 for 30°, 1.0 for 45°).



FIXTURE	Beam Type	Beam Spread°	CBCP	0°			30°			30°					
				MH	FC	L	W	FC	L	W	D	FC	X	L	W
With Wide Flood Optic	W	65°	517	3	57	3.8	3.8	37	5.9	4.4	1	65	1.7	*	2.5
				4	32	5.1	5.1	21	7.9	5.9	2	16	3.5	*	5.1
				5	21	6.4	6.4	13	9.8	7.4	3	7	5.2	*	7.6
				6	14	7.6	7.6	9	11.8	8.8	4	4	6.9	*	10.2
				7	11	8.9	8.9	7	13.8	10.3	5	3	8.7	*	12.7
With Narrow Flood Optic	N	25°	2389	3	265	1.3	1.3	172	1.8	1.5	1	299	1.7	2.1	0.9
				4	149	1.8	1.8	97	2.4	2.0	2	75	3.5	4.2	1.8
				5	96	2.2	2.2	62	3.0	2.6	3	33	5.2	6.2	2.7
				6	66	2.7	2.7	43	3.6	3.1	4	19	6.9	8.3	3.5
				7	49	3.1	3.1	32	4.2	3.6	5	12	8.7	10.4	4.4

*Covers full length of wall based on typical mounting heights of 8-12 feet.

