

| | | | | | |
|-------------|--|-----------|--|------|--|
| Project | | Catalog # | | Type | |
| Prepared by | | Notes | | Date | |



HALO

RA4-DM

4" LED Direct Mount Adjustable Gimbal
w/ Remote Driver/Junction Box
600 Lumen Series

Typical Applications

Residential

Interactive Menu

- Order Information page 2
- Product Specifications page 2
- Photometric Data page 3
- Energy & Performance Data page 3
- Product Warranty

Product Certification



Refer to ENERGY STAR® Certified Products List.
Can be used to comply with California Title 24 High Efficiency requirements.
Certified to California Appliance Efficiency Database under JAB.

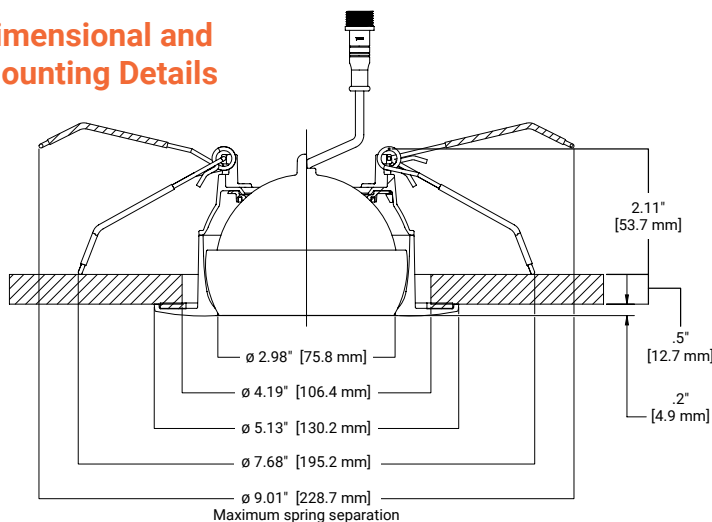
Product Features



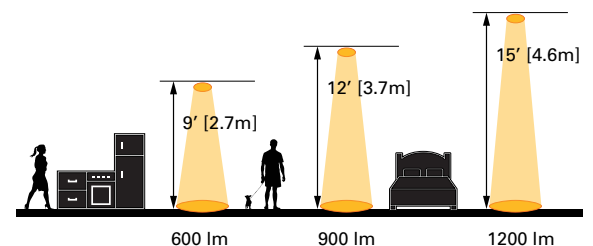
Top Product Features

- 4" Direct Mount Field Selectable CCT LED adjustable
- Adjustable gimbal offers 35-degree tilt and up to 360-degree rotation
- Direct mount - does not require recessed housing or junction box
- Select from 5 CCTs via switch; 2700K, 3000K, 3500K, 4000K, 5000K CCT
- Dimmable to 5% with 120V dimmers

Dimensional and Mounting Details



Scale



Order Information*

SAMPLE ORDER NUMBER: **RA4069S1EWHDMR**

A complete luminaire consists of an LED module and remote driver/junction box.

| Models | Lumens | CRI/CCT | Driver | Finish | Mounting | Packaging |
|---|----------------------------------|--|---|--------------------------------|--------------------------|--|
| RA4= 4" All-Purpose LED Adjustable Gimbale | 06 = 600 lumens (nominal) | 9S = 90 CRI minimum, white tuning, selectable CCT 2700K-5000K | 1E = 120V 60Hz leading or trailing edge phase cut 5% dimming | WH = Matte white baffle | DM = Direct Mount | R = recyclable 4-color unit carton suitable for point of purchase merchandising display |
| Notes | Notes | Notes | Notes | Notes | Notes | Notes |

Product Specifications

CCT Select System

- SeleCCTable models use the switch to choose between 2700K, 3000K, 3500K, 4000K, and 5000K CCT.

Module - Trim

- Module construction includes LED Array, heat sink, reflector, lens, baffle and trim ring.
- Regressed baffle
- Heat sink designed to conduct heat away from the LED Array
- Up to 360-degree rotation
- 35-degree tilt
- Halo matte white paint finish

LED Array

- Mid power LED array provides a uniform source with high efficiency and no pixilation.
- 90 CRI minimum, R9 greater than 50
- Color accuracy within 3 SDCM at the CCT endpoints and 4 SDCM in between endpoints, provide color accuracy and uniformity.
- Correlated Color Temperature (CCT) has a selectable range from 2700K to 5000K (factory default 3000K)

Optical Assembly

- Regressed lens
- Impact-resistant polycarbonate
- Convex form and lamp-like appearance
- Diffuse for even illumination

Gaskets

- Closed cell gaskets achieve restrictive airflow requirements without additional caulking

Remote Driver/ Junction Box

- Aluminum driver / junction box with captive hinged junction box cover
- Listed for (6) #12 AWG 90° C splice conductors, 2-in, 2-out plus (2) ground
- (2) ½" conduit pry-outs
- (2) Slide-N-Side™ non-metallic (NM) wire traps all
- Accepts 14-2, 14-3, 12-2, 12-3 U.S and 14-2, 14-3, 12-2 Canadian NM cable
- (3) 4-port push wire nuts with clear caps for quick and reliable mains voltage connections
- Integral keyhole mounting slots facilitate direct mounting to building structure or new construction mounting frame

Driver

- Integral 120V 60 Hz constant current driver provides noise free operation
- Continuous, flicker-free dimming from 100% to 5%.
- Plenum rated inline electrical quick connect provides low voltage connection to fixture fitting

Installation

- Can be installed in 3/8" to 1-1/4" thick ceilings
- Cutout can utilize standard round hole saw sizes, cutout template provided
- Heat treated springs hold fixture fitting securely in the ceiling eliminating light leaks
- Can be removed from below the ceiling for service or replacement

Mounting / Retention

- The RA-DM requires no housing or third party junction box
- The remote enclosure may be used in direct contact with insulation.
- Installer must cut template out of drywall and install into aperture with the clips compressed.
- When released, the spring clips will rest on to the back side of the drywall
- Not for installation in recessed cans

Compliance

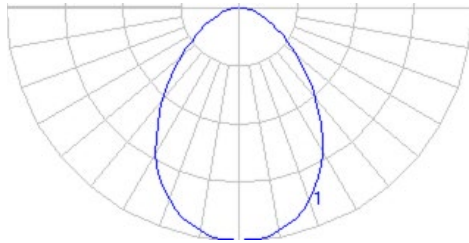
- UL Certified for US and Canada
- Wet and Damp location listed
- Airtight certified per ASTM-E283
- Suitable for use in clothes closets when installed in accordance with the NEC 410.16 spacing requirements
- EMI/RFI emissions per FCC 47CFR Part 15 consumer limits. Complies with Industry Canada ICES-005(B)/NMB-005(B)
- Contains no mercury or lead and RoHS compliant
- Photometric testing in accordance with IES LM-79-08
- Lumen maintenance projections in accordance with IES LM-80-08 and TM-21-11
- Can be used for State of California Title 24 high efficacy luminaire compliance. Complies with Title 24 JA8-2019-E.
- Can be used International Energy Conservation Code (IECC) and Washington State Energy Code high efficiency luminaire compliance.
- ENERGY STAR® listed, reference database for current listings

Warranty

Five year limited warranty, consult website for details. www.cooperlighting.com

Photometric Data

| RA4069S1EWHMDMR-3000K | | |
|-----------------------|----------|----------|
| Luminaire lumens | 789 | |
| Input watts | 8.3 | |
| LER (LPW) | 95.4 | |
| Spacing Criteria | 0-180 | 1.1 |
| | 90-270 | 1.1 |
| | Diagonal | 1.16 |
| Beam angle (degrees) | 81.1 | |
| Field angle (degrees) | 140.6 | |
| Zonal lumen | Lumens | % Lumens |
| 0-30 | 303.8 | 38.5 |
| 0-40 | 463.9 | 58.8 |
| 0-60 | 692.4 | 87.8 |
| 0-90 | 788.4 | 100 |



* Tested in accordance with IES LM63. Field results may vary.

Color Metric Summary - 3000K

| | |
|----------|---------|
| TM-30-15 | Rf = 91 |
| | Rg = 98 |
| CRI/CIE | Ra = 92 |
| | R9 = 54 |

81°

CCT - Range of 2700K- 5000K

Product Specifications

| PRODUCT SPECIFICATIONS | |
|------------------------------------|------------|
| Lumens | 768 |
| Watts | 8.4 |
| Lumens Per Watt (Efficacy) | 91.4 |
| Color Accuracy (CRI) | 93 |
| Light Color (CCT) | 3000K |
| Correlated Color Temperature (CCT) | |
| | |
| 2700K | 3000K |
| 4500K | 6500K |
| warm white | soft white |
| bright white | |

| RA4-DM | CCT | Lumens | Power (W) | LPW |
|----------------------|-------|--------|-----------|------|
| Field Selectable CCT | 2700K | 779 | 8.2 | 94.5 |
| | 3000K | 789 | 8.3 | 95.4 |
| | 3500K | 800 | 8.3 | 96.3 |
| | 4000K | 809 | 8.3 | 97.0 |
| | 5000K | 815 | 8.4 | 97.0 |

Energy Data

| Energy Data @ 3000K | |
|-----------------------|------------|
| Lumens | 600 Series |
| Input Voltage | 120V |
| Input Current | 71.3 (mA) |
| Input Power | 8.4 (W) |
| Efficiency | 91.4 % |
| Inrush (A) | 1.5A @50µs |
| THD: ≤ 20% | |
| PF: ≥ 0.90 | |
| T Ambient -30 - +40°C | |
| Sound Rating ≤ 22dba | |

Dimensional and Mounting Details

