



# SURFACE AND DIRECTIONAL LIGHTS SL-29-SERIES

## SPECIFICATIONS

**CONSTRUCTION:** Cast aluminum or brass adjustable surface lights, easily adjustable aiming bracket; copper models bearing a **-COP** suffix are constructed from extruded copper

**LENS:** Clear tempered glass

**SOCKET:** High temperature ceramic (GZ4) bi pin with 250°C silicone lead wires

**WIRING:** Black 3 foot 18/2 zip cord

**MOUNT:** FA-111-SM surface mount

**FINISH:** Optional finishes available



**SL-29-BRS**



**SL-29-COP**

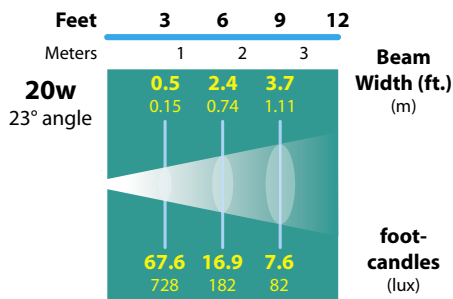
## ORDERING INFORMATION

CATALOG NO.	DESCRIPTION	STANDARD FINISH
-------------	-------------	-----------------

The following fixtures are equipped with 20 watt MR8 FL lamp, 20 watt maximum

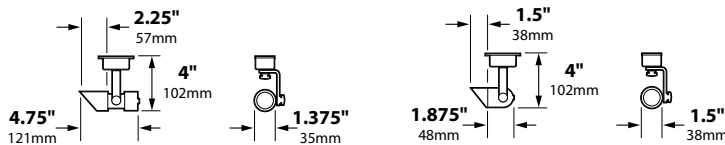
<b>SL-29</b>	Cast aluminum mini adjustable surface light	Black texture
<b>SL-29-BRS</b>	Cast brass fixture mini adjustable surface light	Unfinished brass
<b>SL-29-COP</b>	Extruded copper fixture mini adjustable surface light	Unfinished copper

## LIGHT DISTRIBUTIONS AND PHOTOMETRICS



### 20w MR8 FL

SL-29, SL-29-BRS, SL-29-COP



**SL-29-COP**

**SL-29**

## ACCESSORIES

### RECOMMENDED ENHANCEMENTS FOR SL-29 SERIES:

<b>FA-08-23</b>	Round 1/8" Hex Cell Louver
<b>FA-11-23-BLUE</b>	Blue Tempered Glass Lens
<b>FA-11-23-GREEN</b>	Green Tempered Glass Lens
<b>FA-98-23</b>	Linear Spread Tempered Glass Lens
<b>FA-104-23</b>	Wide Spread Tempered Glass Lens Softener

For copper fixture accessories, add **-C** suffix to above catalog numbers

**12v. fixtures:** 25 foot 16/2 fixture lead wire available; add **-25F** to catalog number. For use with Focus CPC or hub supplied by others.

FSA-00

Powder Coat Finishes	Black Texture (Standard)	Antique Verde	Bronze Texture	Camel	White Texture	Hunter Texture	Rust	Weathered Iron	Weathered Brown	Stucco	Rubbed Verde	Chrome Powder	Terra Cotta
Ordering Code	<b>-BLT</b>	<b>-ATV</b>	<b>-BRT</b>	<b>-CAM</b>	<b>-WTX</b>	<b>-HTX</b>	<b>-RST</b>	<b>-WIR</b>	<b>-WBR</b>	<b>-STU</b>	<b>-RBV</b>	<b>-CPR</b>	<b>-TRC</b>



## JOB INFORMATION

Type:	Date:
Job Name:	
Cat. No.:	
Lamp(s):	
Specifier:	
Contractor:	
Notes:	

**FOCUS INDUSTRIES INC.**  
25301 COMMERCENTRE DRIVE  
LAKE FOREST, CA 92630

[www.focusindustries.com](http://www.focusindustries.com)  
[sales@focusindustries.com](mailto:sales@focusindustries.com)  
(949) 830-1350 • FAX (949) 830-3390

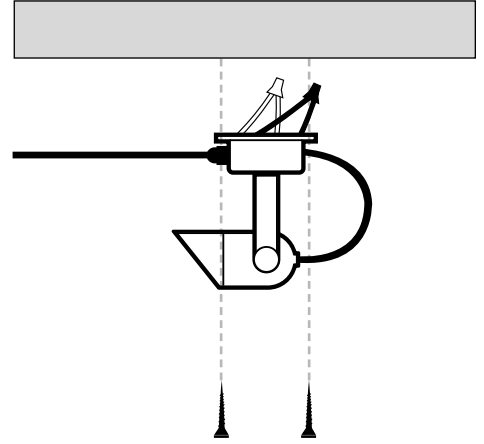


**FOCUS**<sup>™</sup>  
INDUSTRIES

**INSTALLATION INSTRUCTIONS (12V)  
FOR SL-29 SURFACE AND DIRECTIONAL FIXTURES**

Inspected by

- 1) Using Junction Box as a template mark holes to attach to surface. Drill hole if necessary.
- 2) Bring in 12v supply wire through liquid tight connector and wire to 18/2c zip cord using blue wirenuts provided.
- 3) Attach/screw box to surface with appropriate fastner. Wire supply wire to 12v and check for proper installation.



**For Questions Call 1-888-882-1350**