



landscape • entertainment • architectural • hospitality • illumination

SL-12 HANGING LIGHTS





HANGING LIGHTS SL-12 SERIES



TYPE



SPECIFICATIONS

CONSTRUCTION: Formed solid brass lantern on 18" long baby oval brass chain and cast brass hoop

LENS: Gold iridescent glass; optional plastic White Cracked Ice available (-ICE)

LAMP SUPPLIED: 18w S8 #1141; 1200 hours average rating (25w max)

LAMP OPTIONS: We recommend 3w 50,000 hours average rating OMNI-3 LED (-LED3) or OMNI-3 Super Saver (-LED3SS) 10,000 hours average rating 20w Xenon (-X) or 20w Halogen (-H)

SOCKET: Single contact bayonet, brass nickel plated lamp socket screw shell (Ba15s)

WIRING: Black 2 foot 18/2 zip cord from base of fixture (12v only)
For 25 foot 16/2 fixture lead wire add -25F to catalog number.

CONNECTION: FA-05 Quick Connector (not supplied) from fixture to main cable (12/2, 10/2 or 8/2 only)

MOUNTING: FA-111-SMH surface mount mini junction box and hardware

FINISH: Unfinished brass. Optional finishes available



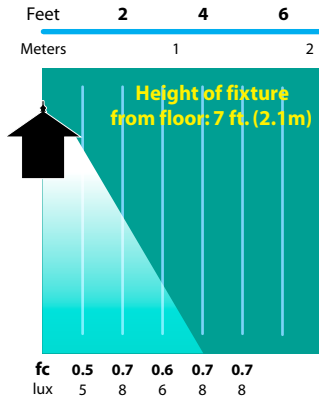
SL-12-BAR



ORDERING INFORMATION

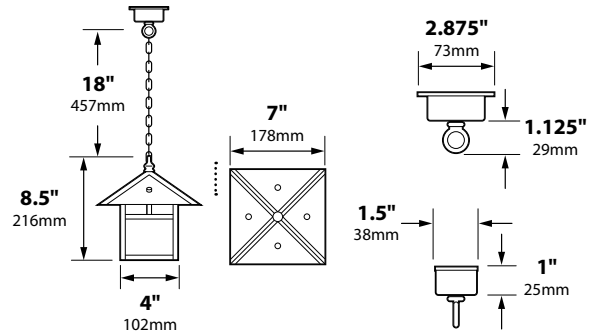
CATALOG NO.	DESCRIPTION	LAMP	SHIP WEIGHT
SL-12-BLT	Black Powder Coat Brass Hanging Lantern with Chain and J-Box	18w S8 #1141	2.0 lbs.
SL-12-BRS	Brass Hanging Lantern with Chain and J-Box	18w S8 #1141	2.0 lbs.

LIGHT DISTRIBUTIONS AND PHOTOMETRICS



SL-12

Half Spread Photometrics
8 ft. (2.4m) diameter



FA-111-SMH



JOB INFORMATION

Type: _____ Date: _____

Job Name: _____

Cat. No.: _____

Lamp(s): _____

Specifier: _____

Contractor: _____

Notes: _____

FOCUS INDUSTRIES INC.
25301 COMMERCENTRE DRIVE
LAKE FOREST, CA 92630

www.focusindustries.com
sales@focusindustries.com
(949) 830-1350 • FAX (949) 830-3390

Black Texture (Standard)	Antique Verde	Bronze Texture	Camel	White Texture	Hunter Texture	Rust	Weathered Iron	Weathered Brown	Stucco	Rubbed Verde	Chrome Powder	Acid Rust	Acid Verde	Black Acid Treatment
-BLT	-ATV	-BRT	-CAM	-WTX	-HTX	-RST	-WIR	-WBR	-STU	-RBV	-CPR	-BAR/CAR	-BAV/CAV	-BAT